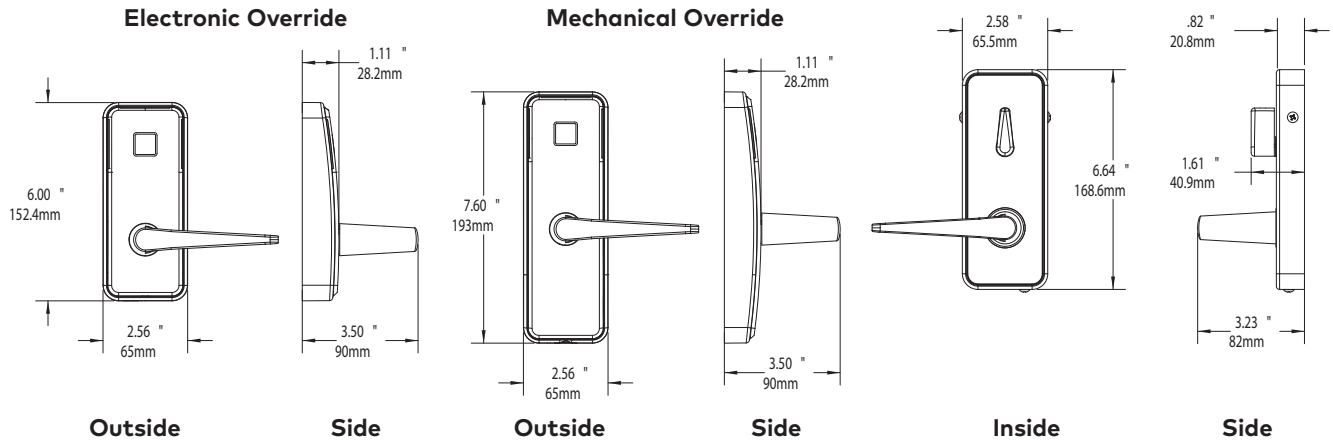


# Saffire LX

## Ordering



**Standard Model (Example)** (Continue building the model number to the right)

<b>S</b>	Lock Model	<b>00</b>	<b>2</b>	-	<b>E</b>	Outside Housing	<b>E</b>	<b>C</b>	<b>B</b>	-
	Version	Bluetooth			Override	Outside Lever	Finish	Trim		

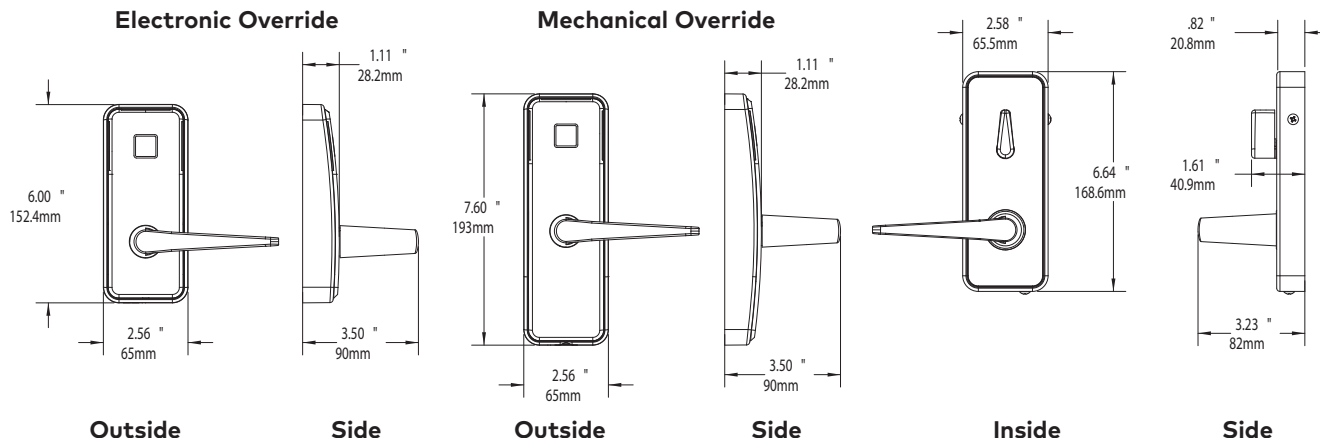
**Build the model number with the desired options** (Continue building the model number to the right)

<b>S</b>	Lock Model			-		Outside Housing		<b>B</b>	-
	Version	Bluetooth	Override		Outside Lever	Finish	Trim		

Style	Version	Bluetooth	Override	Outside Lever	Finish	Trim
<b>S</b> Saffire LX	<b>00</b> Standalone <b>M1</b> Ambiance RX US <b>M2</b> Ambiance RX Euro/Asia <b>M3</b> Ambiance RX International <b>MW</b> Inncom <b>D0</b> Demo Standalone <b>D1</b> Demo Ambiance RX US <b>D2</b> Demo Ambiance RX Euro/Asia <b>D3</b> Demo Ambiance RX International <b>DW</b> Demo Inncom <b>SB</b> Shabbat lock	<b>2</b> BLE Enabled <b>H</b> BLE Hilton (only for Hilton properties)	<b>E</b> Electronic Override <b>K</b> Mechanical Key	<b>E</b> Von (not for locks certified EN 179) <b>L</b> Long Return (Troy lever extended for California, not for locks certified EN 179) <b>D</b> DIN Lever (required for DIN certified locks and EN 179 certified locks)	<b>C</b> Satin Chrome <b>E</b> Satin Chrome Exterior <b>U</b> Satin Chrome Ocean Front	<b>B</b> Black

# Saffire LX

## Ordering



### Standard Model (Example) (Continued)

<b>N</b> Privacy	<b>E</b> Inside Lever	<b>O</b> Function	<b>C</b> Finish	<b>N</b> Trim	-	<b>1</b> Model	<b>O</b> Mortise Deadbolt	<b>L</b> Handing
---------------------	--------------------------	----------------------	--------------------	------------------	---	-------------------	---------------------------------	---------------------

### Build the model number with the desired options (Continued)

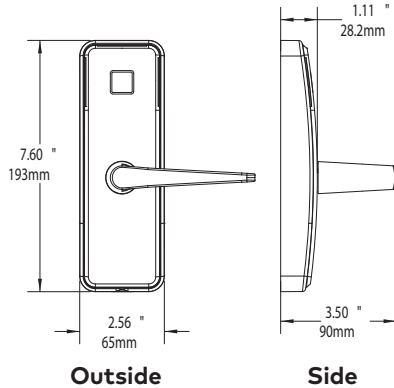
<input type="checkbox"/>	<input type="checkbox"/>	<input type="checkbox"/>	<b>C</b>	<input type="checkbox"/>	-	<input type="checkbox"/>	<input type="checkbox"/>	<input type="checkbox"/>
--------------------------	--------------------------	--------------------------	----------	--------------------------	---	--------------------------	--------------------------	--------------------------

Privacy	Inside Lever	Function	Finish	Trim	Model	Deadbolt	Handing
<b>N</b> No Thumbturn, no Privacy Storeroom	<b>E</b> Von (not for locks certified EN 179)	<b>O</b> Standard	<b>C</b> Satin Chrome	<b>N</b> No Facia	<b>1</b> ASM 1 1/4" (32mm) face plate, field reversible handing	<b>O</b> Standard Deadbolt	<b>L</b> Left Hand & Right Hand Reverse
<b>P</b> Privacy thumbturn with kickoff	<b>L</b> Long Return (Troy lever extended for California, not for locks certified EN 179)	<b>T</b> Escape return or Toggle / residence function		<b>B</b> Black Facia	<b>2</b> ASM 1 1/4" DAJ (32mm) face plate, field reversible handing	<b>1</b> Auto Deadbolt (only with ASM)	<b>R</b> Right Hand & Left Hand Reverse
<b>E</b> Privacy in Euro lock case, no thumbturn (only with Euro lock case)	<b>D</b> DIN Lever (required for DIN certified locks and EN 179 certified locks)				<b>3</b> ASM 1" (25.4mm) face plate, no field reversible handing	<b>2</b> No Deadbolt (only with ASM and cylindrical latch)	<b>F</b> Dual handed (Right Hand mortise, 2 strikes)
					<b>4</b> ASM 1" DAJ (25.4mm) face plate, no field reversible handing	<b>N</b> None	<b>N</b> None
					<b>5</b> Cylindrical unit & latch		
					<b>6</b> Cylindrical unit & latch, 2 3/8" backset		
					<b>A</b> Euro lock case 55 mm backset, 20 mm forend round ends		
					<b>B</b> Euro lock case 60 mm backset, 20 mm forend round ends		
					<b>C</b> Euro lock case 65 mm backset, 20 mm forend round ends		
					<b>D</b> Euro lock case 70 mm backset, 20 mm forend round ends		
					<b>E</b> Euro lock case 80 mm backset, 20 mm forend round ends		
					<b>G</b> Euro lock case 55 mm backset, 24 mm forend round ends		
					<b>H</b> Euro lock case 60 mm backset, 24 mm forend round ends		
					<b>I</b> Euro lock case 65 mm backset, 24 mm forend round ends		
					<b>J</b> Euro lock case 70 mm backset, 24 mm forend round ends		
					<b>K</b> Euro lock case 80 mm backset, 24 mm forend round ends		
					<b>N</b> None		

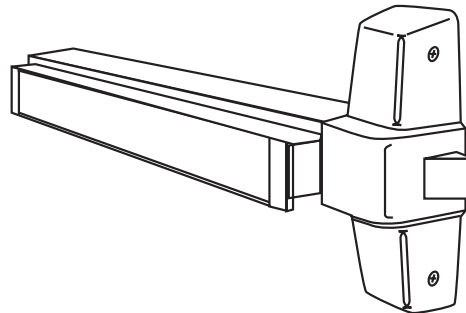
# Saffire LX Exit Device Operator - North America

## Ordering

Mechanical Override



Exit Device



**Standard Model (Example)** (Continue building the model number to the right)

Lock Model			Locking Options						
<b>S</b>	<b>00</b>	<b>2</b>	-	<b>1</b>	<b>7</b>	<b>N</b>	<b>1</b>	-	<b>C</b>
Operating System	BLE/Demo	Model		Exit Device	Handing	Door Thickness	Finish		

**Build the model number with the desired options** (Continue building the model number to the right)

Lock Model			Locking Options					
<b>S</b>			-		<b>N</b>		-	
Operating System	BLE/Demo	Model		Exit Device	Handing	Door Thickness	Finish	

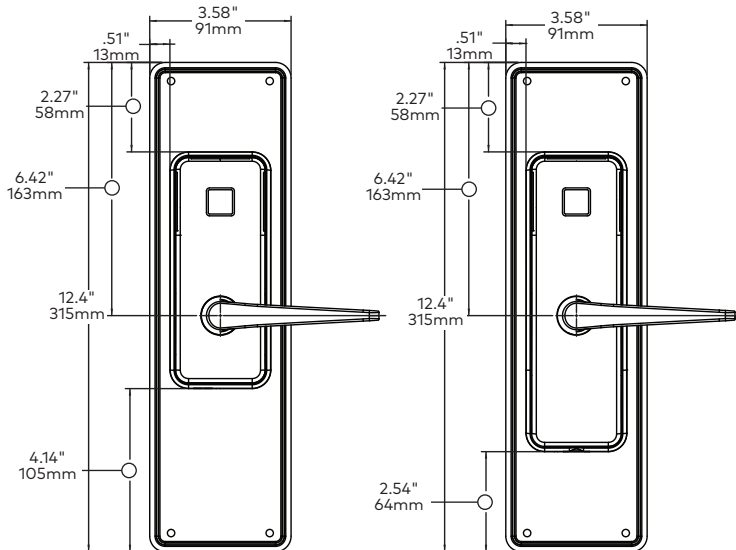
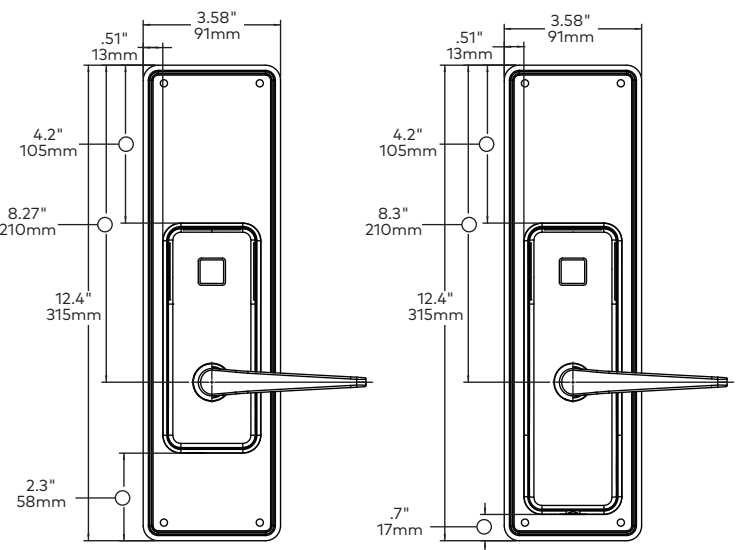
Style	Operating System	BLE/Demo	Model	Exit Device	Handing	Door Thickness	Finish
<b>S</b> Saffire LX	<b>00</b> Standalone <b>M1</b> Ambiance RX US	<b>2</b> BLE Enabled <b>H</b> BLE Hilton (only for Hilton properties)	<b>1</b> Rim Operator	<b>7</b> Dorma 9300	<b>N</b> Dual Handing	<b>1</b> 1 3/4" - 2" (46-53mm) <b>2</b> >2" - 2 1/4" (53-57mm)	<b>C</b> Satin Chrome <b>E</b> Satin Chrome Exterior <b>U</b> Satin Chrome Ocean Front
			<b>2</b> Mortise Operator	<b>0</b> Von Duprin 9875/9975EO-F <b>A</b> Arrow S3908/S1908 <b>7</b> Dorma 9500/F9500			
			<b>3</b> Rim Operator	<b>0</b> Von Duprin 98/99 EO-F <b>1</b> Arrow S3888 <b>2</b> Yale 7100-36 <b>5</b> Precision 21/FL21 <b>6</b> Detex 10/FL10 <b>7</b> Dorma 9300/F9300 <b>8</b> Arrow S1808/S3808 <b>9</b> Detex V40 <b>C</b> Corbin Russwin ED5200 <b>H</b> Hager 4500 <b>D</b> Dorma 8300 <b>R</b> PHI/Reliant 5100/FL5100 <b>V</b> Von Duprin 22			
			<b>4</b> Vertical Rod Surface Mount Operator	<b>0</b> Von Duprin 9827/9927EO-F <b>1</b> Arrow S3788/S1708 <b>2</b> Yale 7170 <b>5</b> Precision 22/FL22 <b>6</b> Detex 20/FL20 <b>7</b> Dorma 9400/F9400 <b>C</b> Corbin Russwin ED5400 <b>H</b> Hager 4500 <b>S</b> Sargent 8710/8713 <b>D</b> Dorma 8400 <b>R</b> PHI/Reliant 5200/FL5200 <b>V</b> Von Duprin 22			
			<b>5</b> Vertical Rod Concealed Operator	<b>0</b> Von Duprin 9847/9947EO-F <b>2</b> Yale 7160 <b>7</b> Dorma 9100/F9100			

# Decorative Plates for Saffire LX

## Ordering

### Specifications

Mounting screws included. All plates are 1/32 (0.8mm) thick

Availability	Location	Finish	Plate Number
<p><b>Retrofit Plate (315mm x 91mm)</b></p> 	<p>Indoor/Outdoor</p>	<p>Stainless steel, satin finish</p> <div data-bbox="925 525 1518 640" style="border: 1px solid black; padding: 5px;"> <p>Retrofit: Onity locks Same plate number for both electronic and MKO</p> </div>	<p>041-516221-1</p>
<p><b>Retrofit Plate (315mm x 91mm)</b></p> 	<p>Indoor/Outdoor</p>	<p>Stainless steel, satin finish</p> <div data-bbox="925 1197 1518 1312" style="border: 1px solid black; padding: 5px;"> <p>Retrofit: VING, 710-II, 700, 790/770/760/660/RT, MT RFID, MT Mag Same plate number for both electronic and MKO</p> </div>	<p>041-516221-2</p>