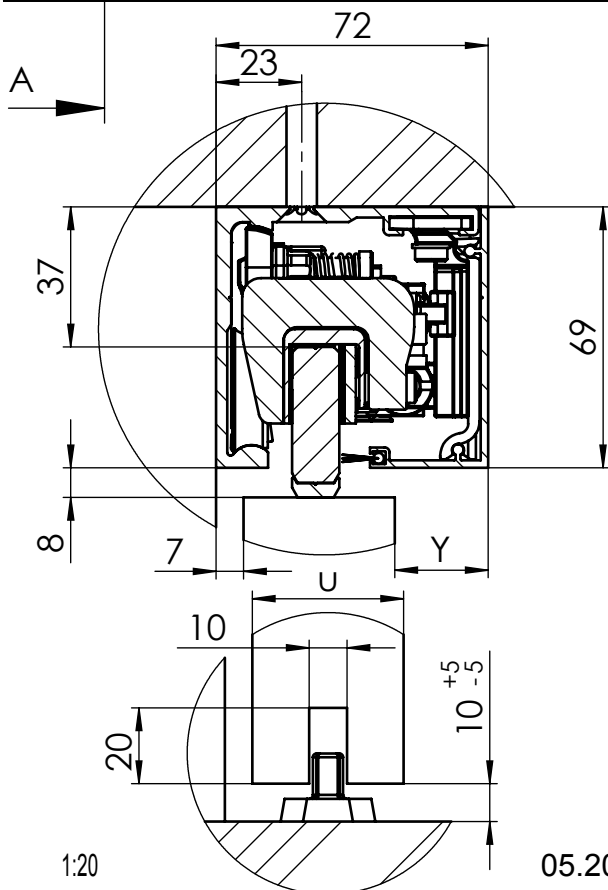
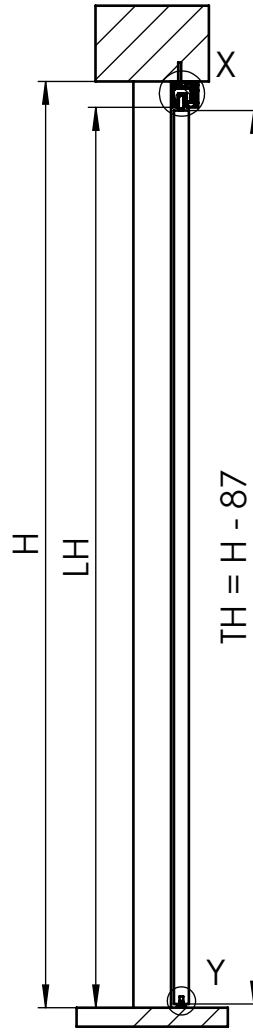
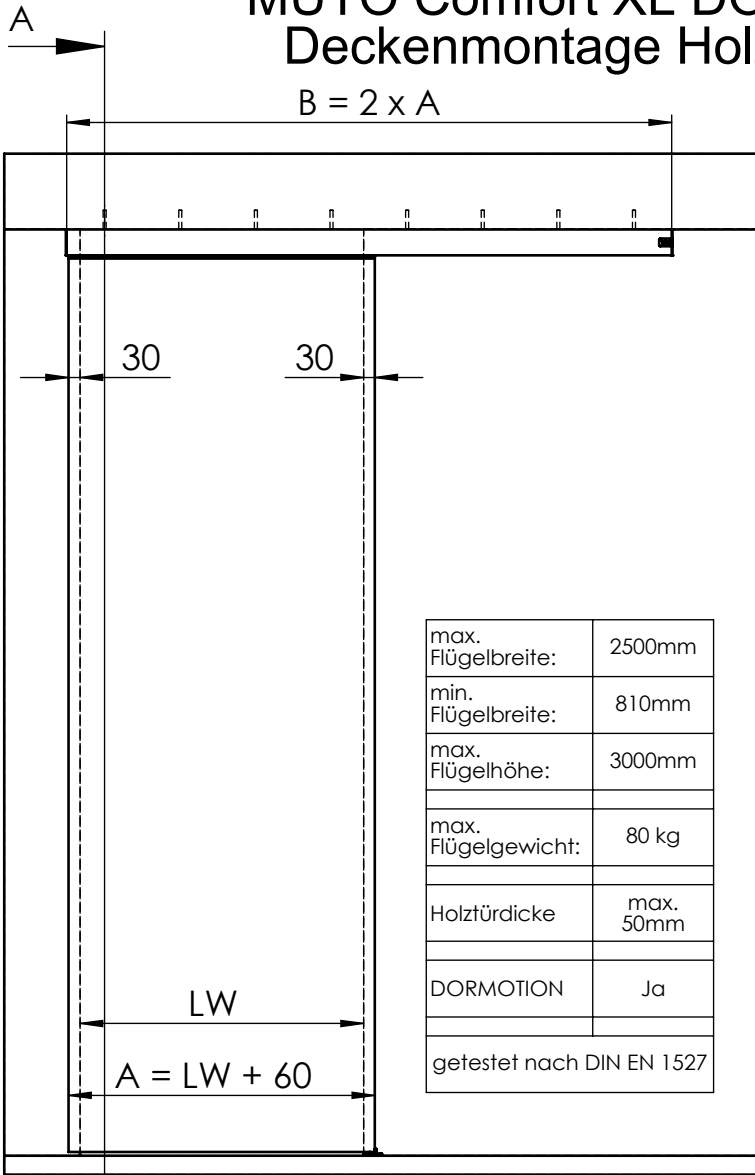


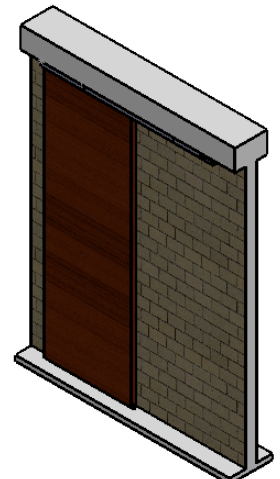
# MUTO Comfort XL DORMOTION 80 Deckenmontage Holzanwendung



Detail X (1 : 2)

Detail Y (1 : 2)

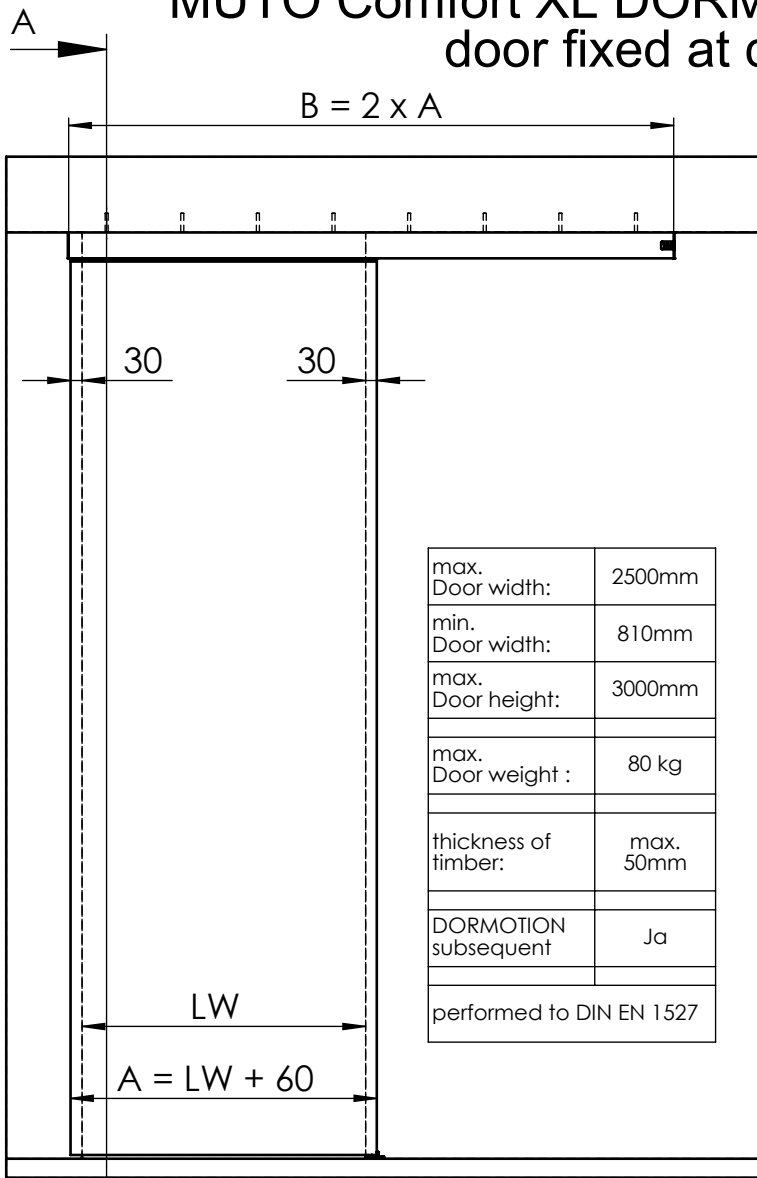
A	Flügelbreite
B	Laufschielenlänge
H	Gesamthöhe
LH	lichte Höhe
LW	lichte Weite
TH	Türhöhe
X	Überstand
Y	72 - 7 - u
u	Holzdicke



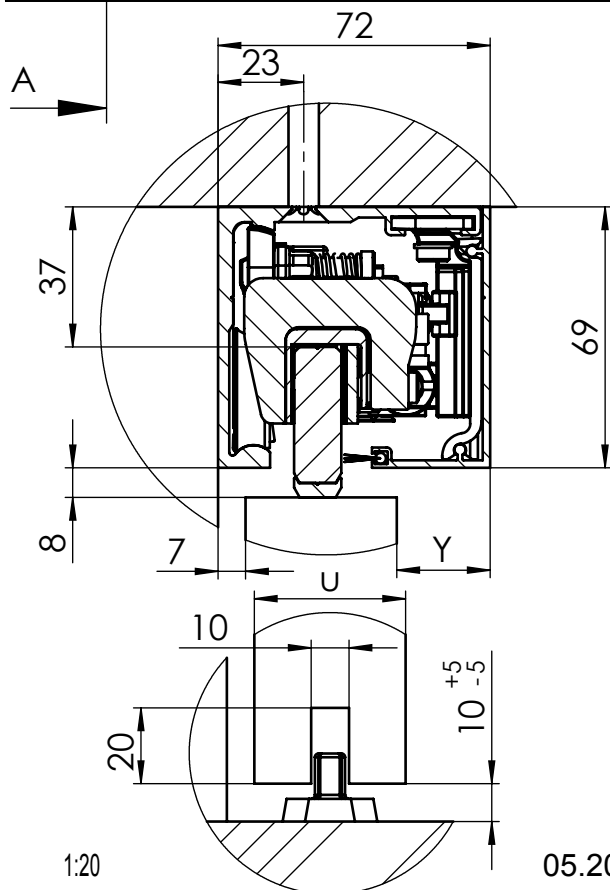
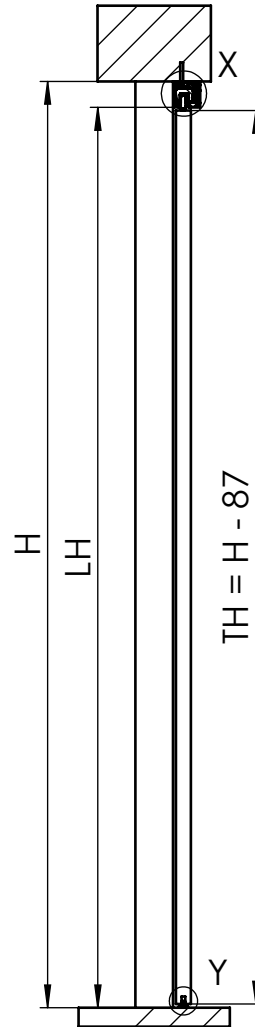


36.503  
36.504  
36.505  
36.522

# MUTO Comfort XL DORMOTION 80 timber door fixed at ceiling



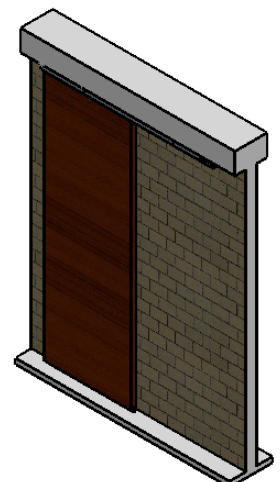
max. Door width:	2500mm
min. Door width:	810mm
max. Door height:	3000mm
max. Door weight :	80 kg
thickness of timber:	max. 50mm
DORMOTION subsequent	Ja
performed to DIN EN 1527	



Detail X (1 : 2)

Detail Y (1 : 2)

A	Door width
B	length of track
TH	Door height
H	total height
LH	clear opening height
LW	clear opening width
u	thickness of timber
X	protrusion
Y	72 - 7 - u



C:\Workspace\EDM1104 Project\Innovation\MUTO COMFORT\60\_DAS DETAIL\MUTO COMFORT\02\_XL\_DORMOTION 80\MUTO Comfort XL DORMOTION 80 timber door fixed at ceiling.siddrw

1:20

05.2016 / 011432

36-503 Timber