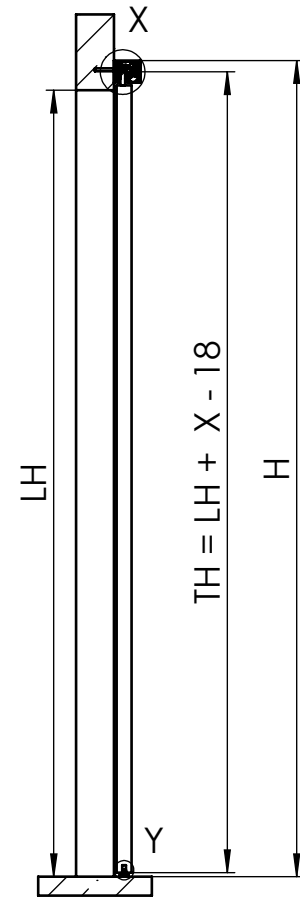
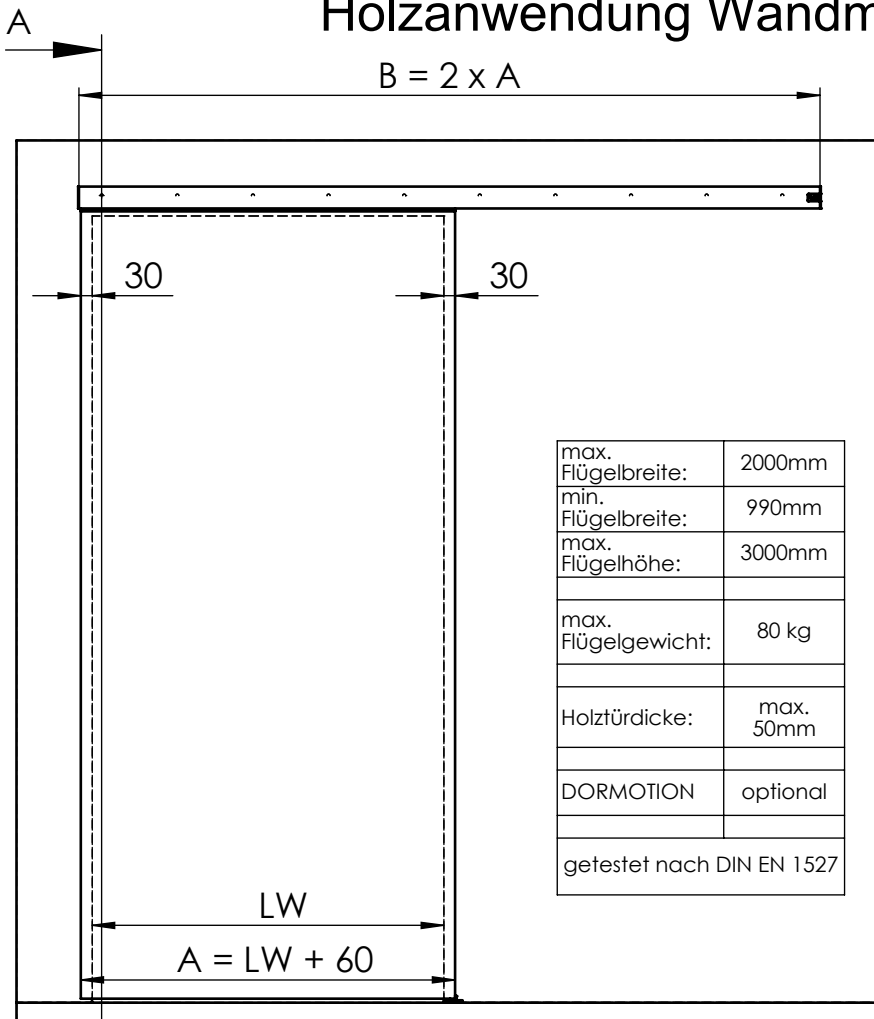


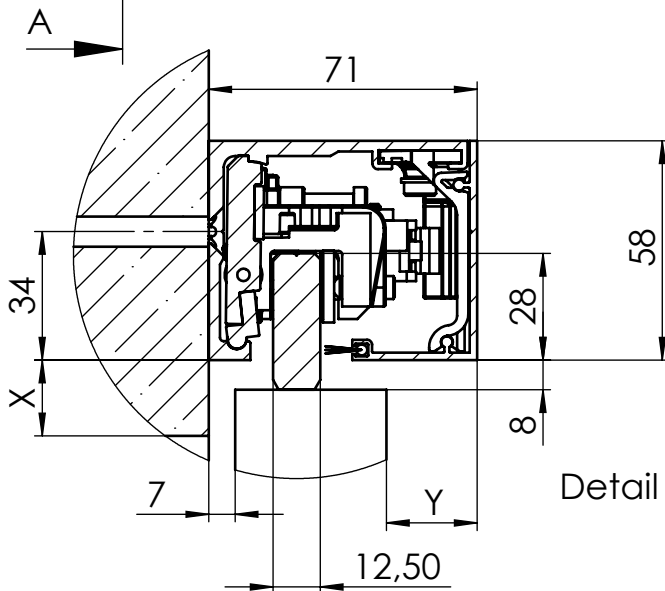
MUTO Comfort L DORMOTION 80 Holzanwendung Wandmontage



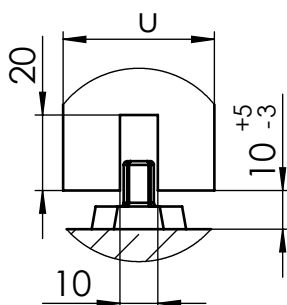
36.300
36.301
36.320



A-A (1 : 20)

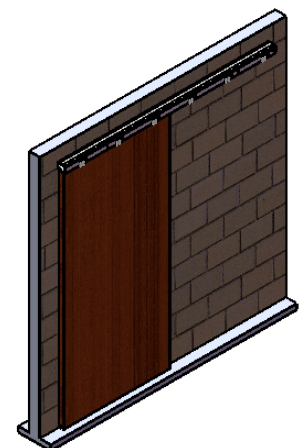


Detail X (1 : 2)



Detail Y (1 : 2)

A	Flügelbreite
B	Laufschielenlänge
H	Gesamthöhe
LH	lichte Höhe
LW	lichte Weite
TH	Türhöhe
X	Überstand
Y	71 - 7 - u
u	Glasdicke Schiebetür

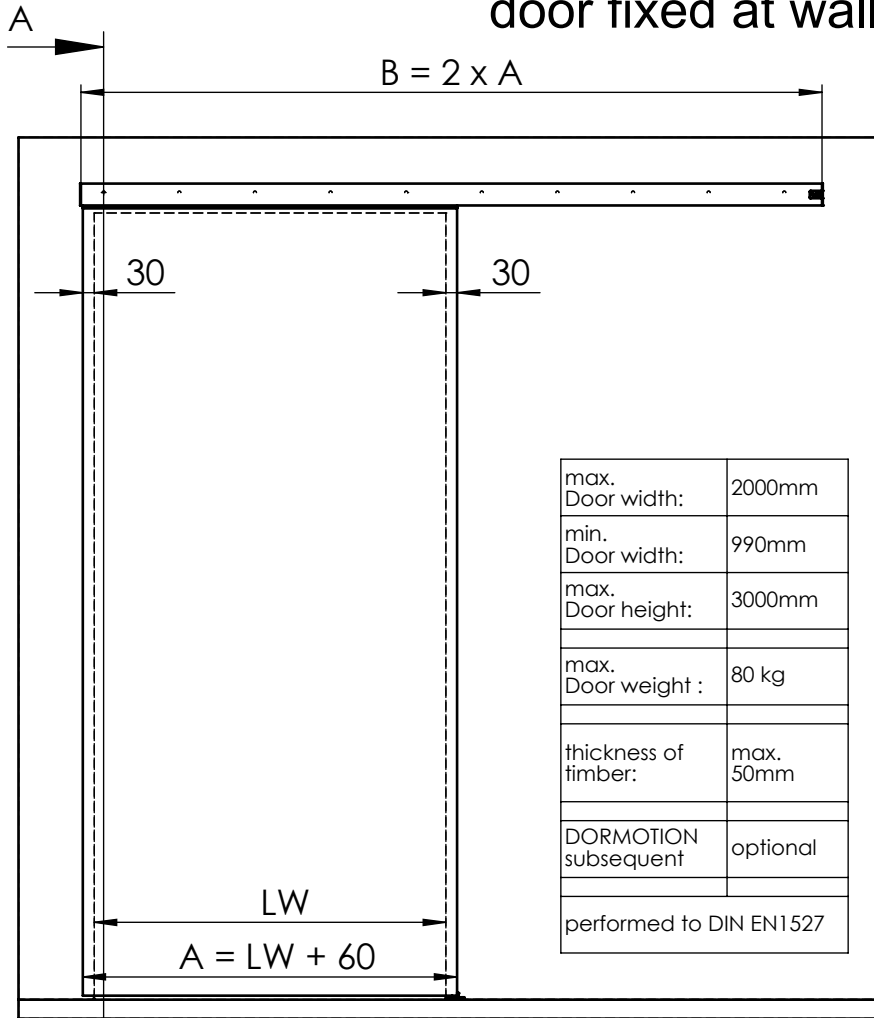


36-300 Timber

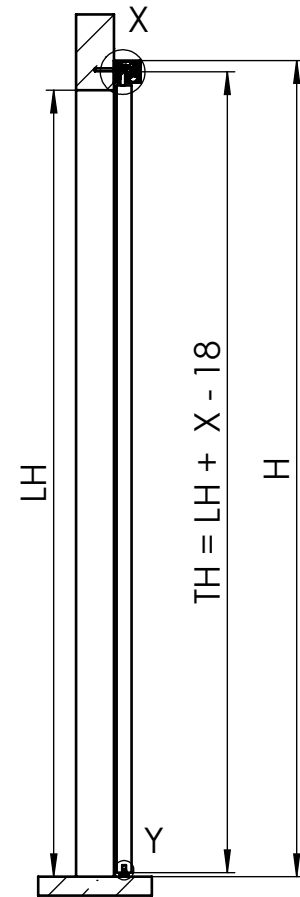
MUTO Comfort L DORMOTION 80 timber door fixed at wall



36.300
36.301
36.320

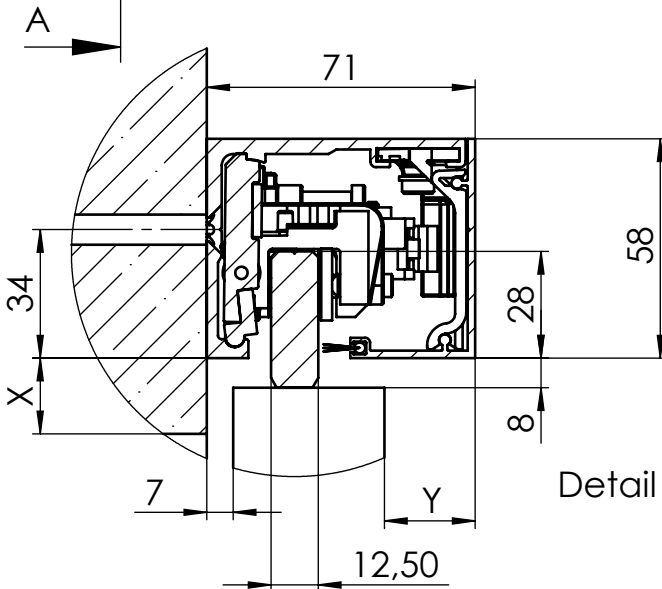


max. Door width:	2000mm
min. Door width:	990mm
max. Door height:	3000mm
max. Door weight :	80 kg
thickness of timber:	max. 50mm
DORMOTION subsequent	optional
performed to DIN EN1527	

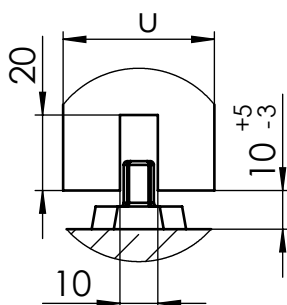


A-A (1 : 20)

A	Glass width
B	length of track
H	total height
LH	clear opening height
LW	clear opening width
TH	Door height
X	protrusion
Y	71 - 7 - u
u	thickness of timber



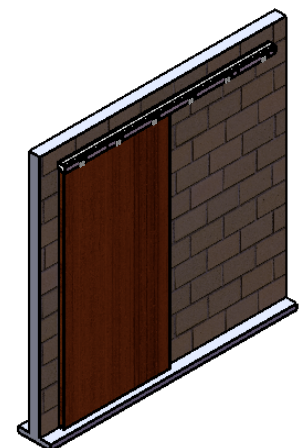
Detail X (1 : 2)



Detail Y (1 : 2)

1:20

06.2016 / 011432



36-300 Timber