



Adaptive Door Mounted Sensor System (ADMSS)

Automatic swinging doors

Description

A laser-based sensor system designed for automatic swing doors.

Using sophisticated time-of-flight technology, this sensor eliminates all past limitations of infrared-based devices. Its background independence eliminates nuisance detections caused by changing weather and floor conditions, while gyroscopes sense the movement of the door for accurate positioning.

Provides adjustable pattern depths that exceed the ANSI 156.10 8.2.2.3 standard and offers 100% coverage in all door states (fully open, fully closed, opening and closing).

Features & benefits

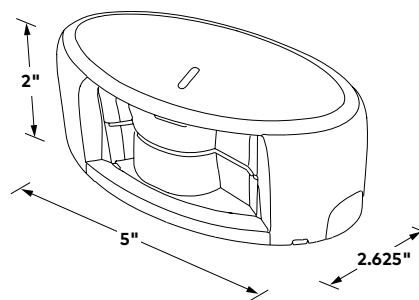
- Plug & Play technology utilizing a centralized hub and intuitive LCD interface greatly reduces installation and setup time.
- High resolution, self-adapting detection zones, coupled with reduced uncovered zones, create the most accurate and reliable safety sensor.
- On-board error log ensures easy technical support.
- Fully monitored internally, capable of external monitoring.

Technical specifications

Technology	LASER scanner, Time-of-Flight measurement
Detection mode	Presence
Min. /Max. door width	20"-48" (per door leaf) (measured from leading edge to sensor LED)
Mounting height	75"-98" (6.25'-8.2') (measured from finished floor to sensor LED)
Remission factor	> 2%
Angular resolution	2.56°
Testbody	12" (W) x 28" (H) x 8" (D) (according to UL 325)
Emission characteristics IR laser	Wavelength 905 nm; Maximum Output Pulse Power 35 W (Class I)
Supply voltage	12 – 30 VDC (15 W Class II)
Power consumption	< 15 W
Response time	Typ. 40 ms; Max. 80 ms

Output rating	4 electro-mechanic relays (galvanic isolated – polarity free) All outputs Class 2 supply, 12 – 24 VAC, 12 – 30 VDC, Max. 15 W
Input rating	2 optocouplers (galvanic isolated – polarity free) 12 – 24 VAC, 50/60 HZ, 12 – 30 VDC, Max. 15 W
Test input	8 – 15 VDC
Temperature range	-13 °F – 121 °F (-25 °C – 55 °C)

DX3336-008 dimensional drawing



Related products



DX3336-008
SINGLE SWING
DOOR KIT



DX3336-009
SIM PAIR / DUAL
EGRESS KIT



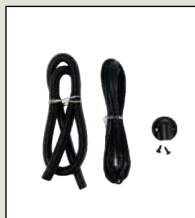
DX3336-005
CUSTOM SINGLE
UNIVERSAL KIT



DX3336-006
CUSTOM
PAIR / DUAL
UNIVERSAL KIT



DX3336-027
MOUNTING ARM



DX3336-055
Y-HARNES



DX3336-010
MICROWAVE
MOTION SENSOR



dormakaba USA Inc.
Dorma Drive, Drawer AC
Reamstown, PA 17567
844-SPECNOW
www.dormakaba.us

dormakaba Canada
1680 Courtney Park Dr. Unit 13
Mississauga, ON L5T 1R4
800.387.4938
www.dormakaba.ca