



Activation sensor

Automatic sliding & swinging doors

Description

This motion sensor is designed for the activation of automatic pedestrian doors.

Universally compatible with all makes and models of swinging, sliding, and revolving automatic doors, this unit has a mounting height of 13' to 16.5', making it ideal for use on large-format doors in industrial environments.

Unidirectional radar increases energy efficiency by detecting approaching traffic while ignoring motion away from the door.

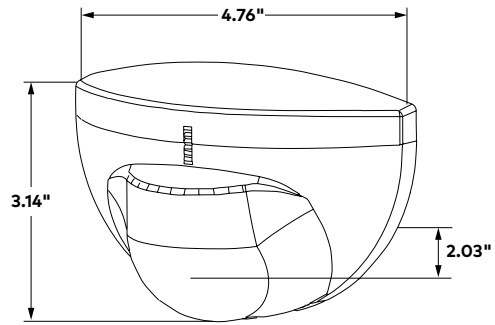
Features & benefits

- Energy savings due to unidirectional detection capability.
- Narrow and wide antennae included.
- Immunity setting helps screen rain, snow, radio frequency, and header vibration.
- Motion detection feature capable of detecting traffic moving as slow as 2"/s.
- Compact, low profile design.

Technical specifications

Technology	Microwave Doppler Radar
Detection mode	Motion
Transmitter frequency	24.150 GHz
Transmitter radiated power	< 20 dBm EIRP
Transmitter power density	< 5 mW/cm ²
Minimum detection speed	2"/ s (measuring based on optimal conditions)
Mounting height	
Eagle	72"-156" (6'-13')
Eagle HM	156"-198" (13'-16.5')
Supply voltage	12 – 24 VAC ±10%; 12 – 24 VDC 30% / -10%
Mains frequency	50 – 60 Hz
Maximum power consumption	< 2 W

DX3336-010 dimensional drawing



Related products



DX3336-010
MICROWAVE
MOTION
SENSOR



DX3336-020
EXTENSION
SPACER



DX3336-021
FLUSH MOUNT
CEILING ADAPTER



DX3336-018
MOUNTING
BRACKET ADAPTER



DX3336-016
STANDARD RAIN
COVER



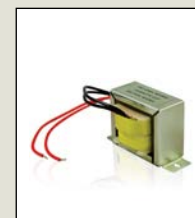
DX3336-015
DELUXE RAIN
COVER



DX3336-033
SENSOR
SETUP REMOTE
CONTROL



DX3336-034
PROGRAMMABLE
3-RELAY LOGIC
MODULE



DX3336-054
24 VAC TRANSFORMER
WITH MOUNTING FEET



dormakaba USA Inc.
Dorma Drive, Drawer AC
Reamstown, PA 17567
844-SPECNOW
www.dormakaba.us

dormakaba Canada
1680 Courtney Park Dr. Unit 13
Mississauga, ON L5T 1R4
800.387.4938
www.dormakaba.ca