



## Dual Monitor Cabinet Lock

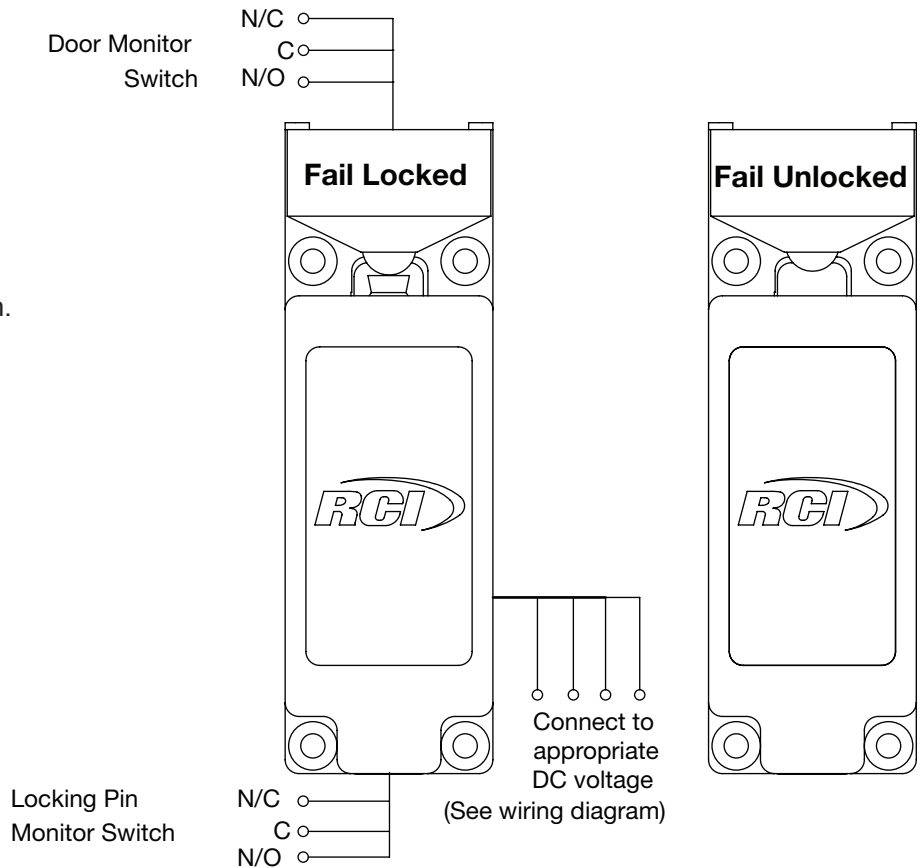
*In or Out... we make it Easy!*

### Instructions For Lock Mode Change

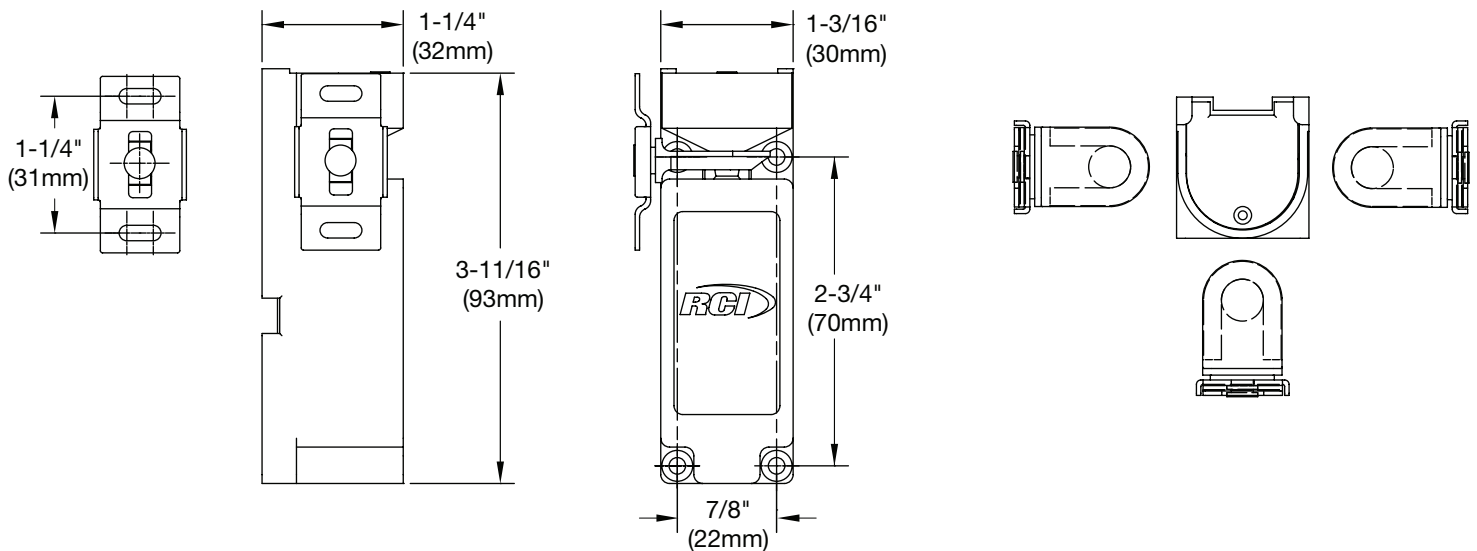
1. Remove the 2 screws on the bottom.
2. Remove base plate and solenoid.
3. Turn assembly 180° and install into housing.

NOTE: Care should be taken to prevent damage to switch lever.

4. Insert the two screws.

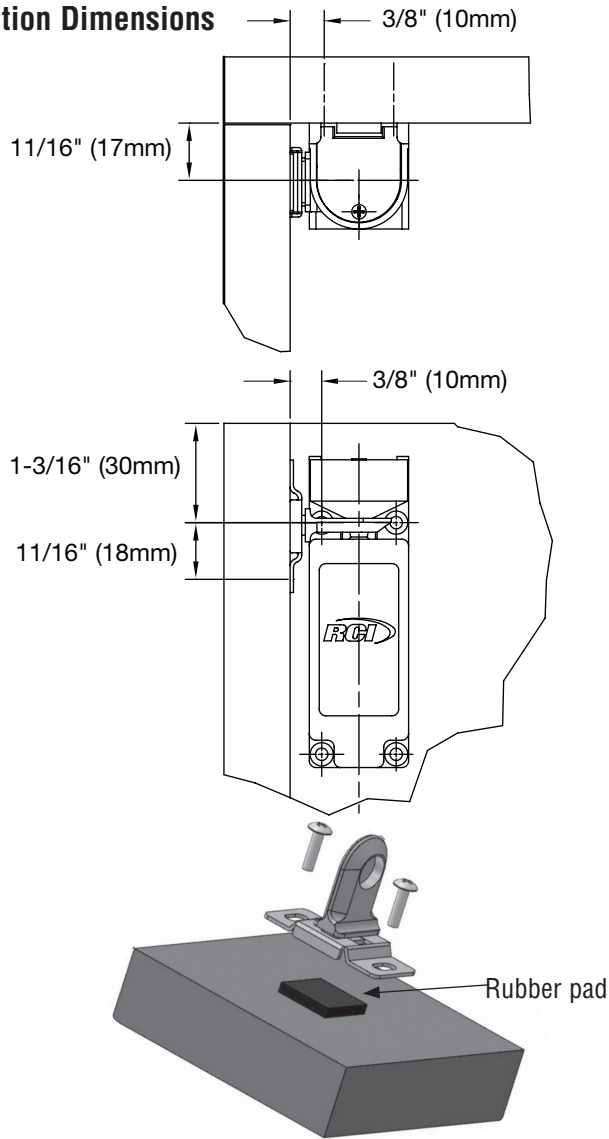


### Overall and Mounting Dimensions

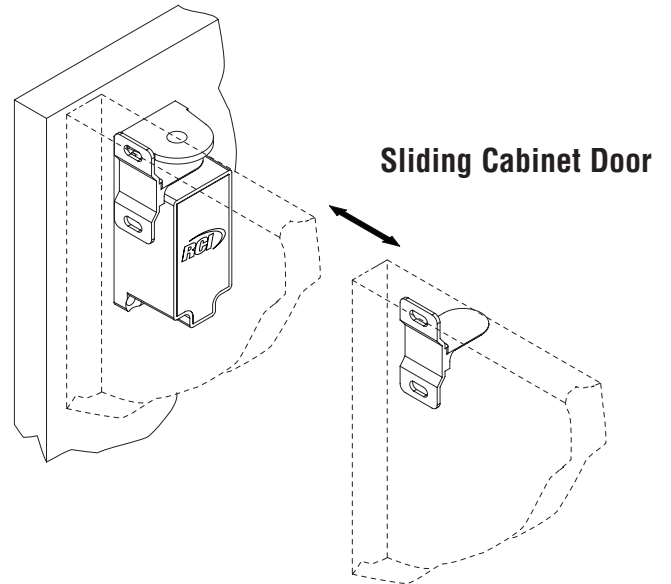
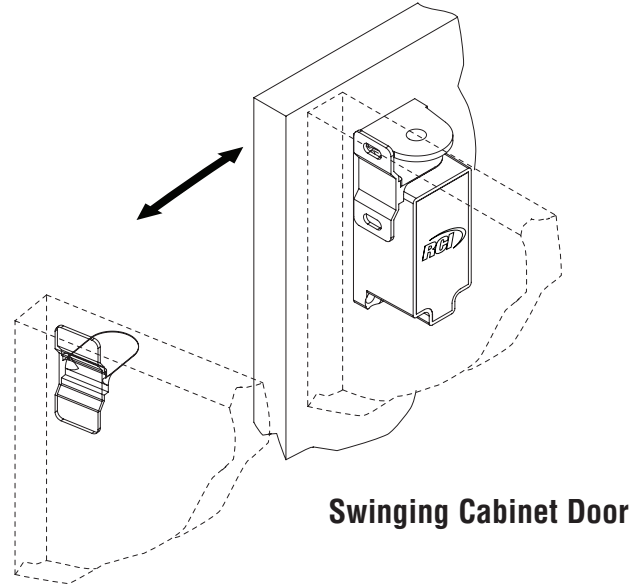


# 3513-DM Installation Instructions (Continued)

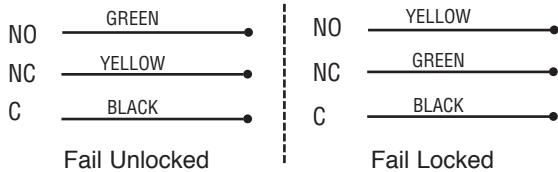
## Installation Dimensions



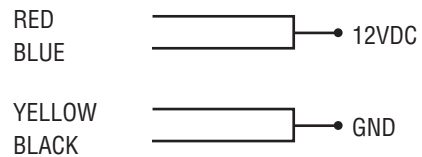
Install rubber pad in between the mounting surface and catch to secure catch position



## Locking Pin Monitor Switch Wiring Diagram 125VAC; 1A / 30VDC; 0.5A



## Cabinet Lock Dual Voltage Wiring Diagram 12VDC (200mA)



## Door Monitor Switch Wiring Diagram 125VAC; 3A / 30VDC; 2A



## Cabinet Lock Dual Voltage Wiring Diagram 24VDC (100mA)

