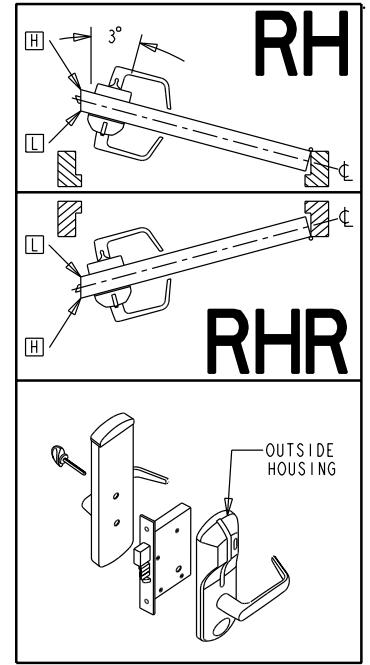
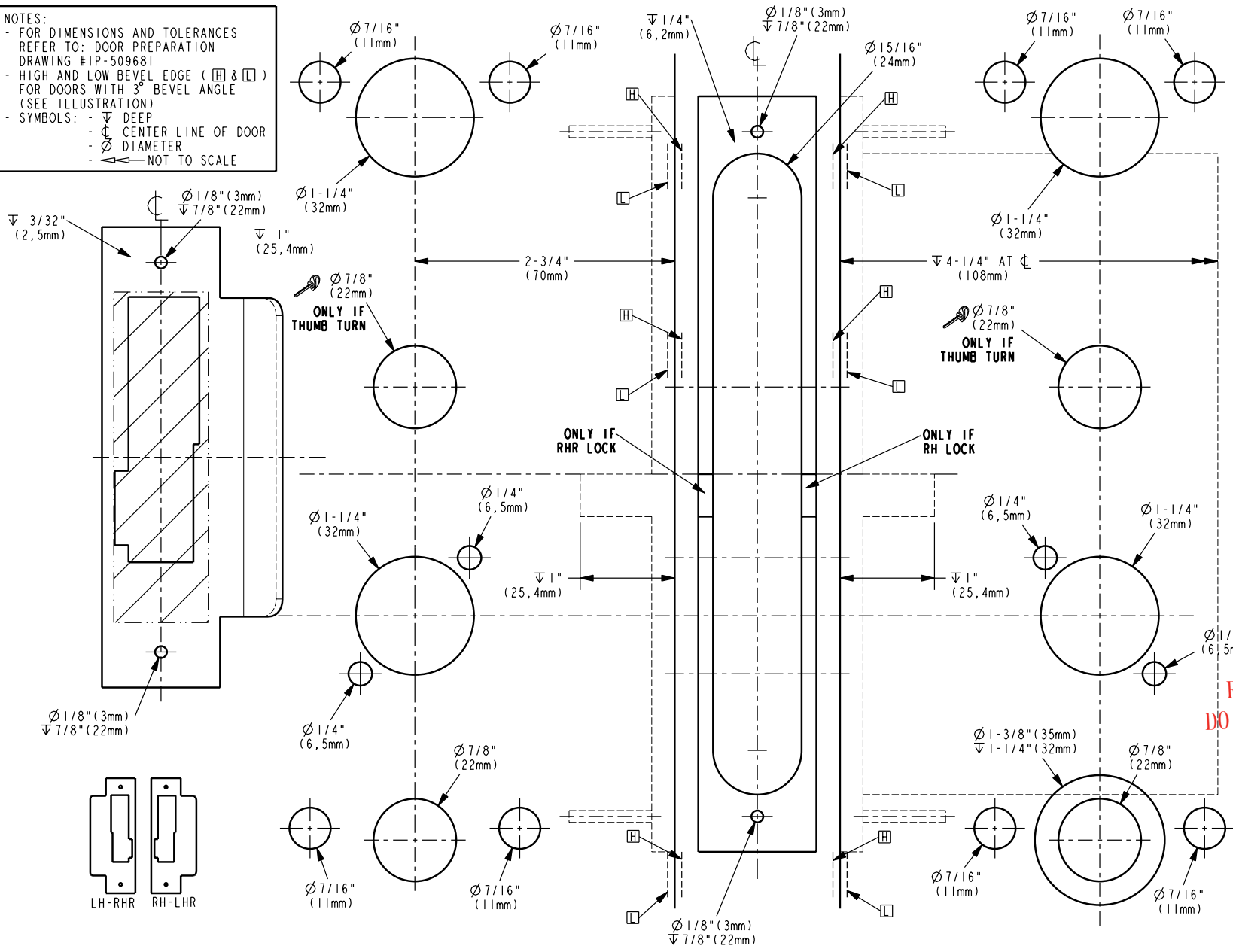




**NOTES:**  
 - FOR DIMENSIONS AND TOLERANCES REFER TO: DOOR PREPARATION DRAWING #IP-509681  
 - HIGH AND LOW BEVEL EDGE (▣ & □) FOR DOORS WITH 3° BEVEL ANGLE (SEE ILLUSTRATION)  
 - SYMBOLS:  
 - ▽ DEEP  
 - ⊕ CENTER LINE OF DOOR  
 - ∅ DIAMETER  
 - ↯ NOT TO SCALE



**REFERENCE ONLY, NOT TO SCALE  
 DO NOT USE AS A DRILLING TEMPLATE  
 CALL 800-849-8324**

	<small>7301, Decarie Boul          Montreal, QC Canada          H4P 2G7          www.kaba-ilco.com</small>	
	<b>DRILLING TEMPLATE</b> <b>SOLITAIRE 710/850/850L/950</b> <b>AMERICAN MORTISE - 1/4" FRONT PLATE</b> <b>RIGHT HAND (RH) - RIGHT HAND REVERSE (RHR)</b> <b>BACKSET OF:</b> <b>2-3/4" (70mm)</b>	
<b>DT-509681</b>	SHEET 2 OF 2	REV-2 ECN-9759

