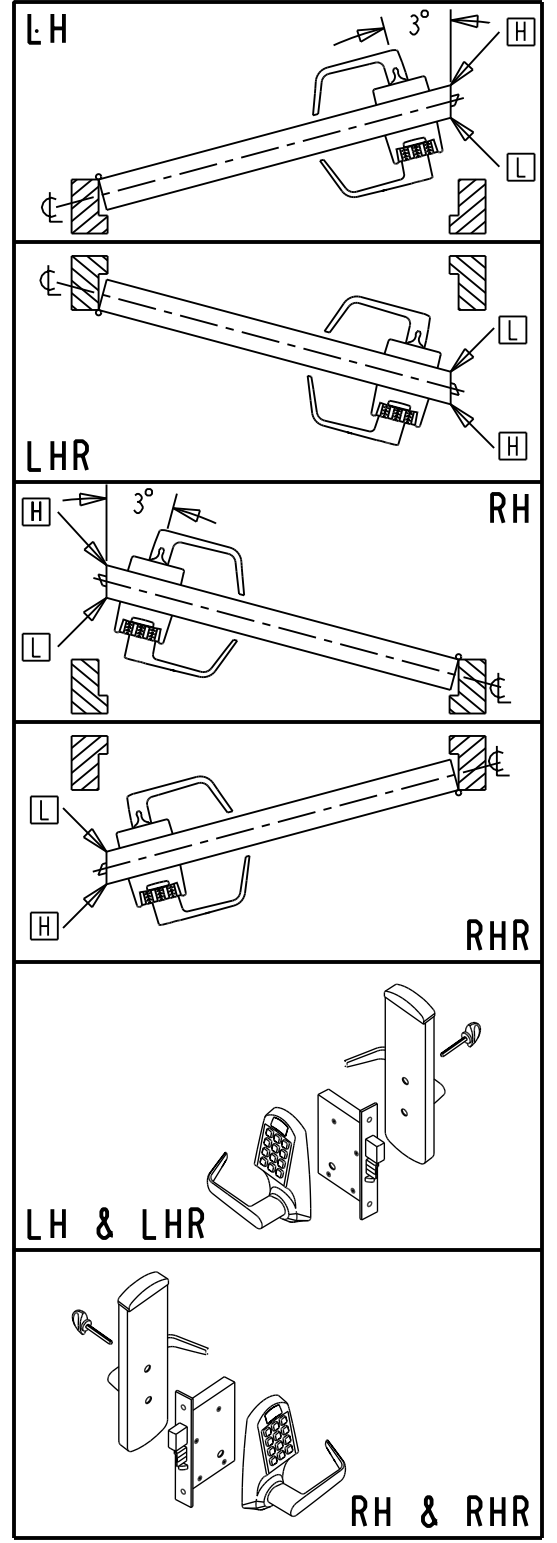
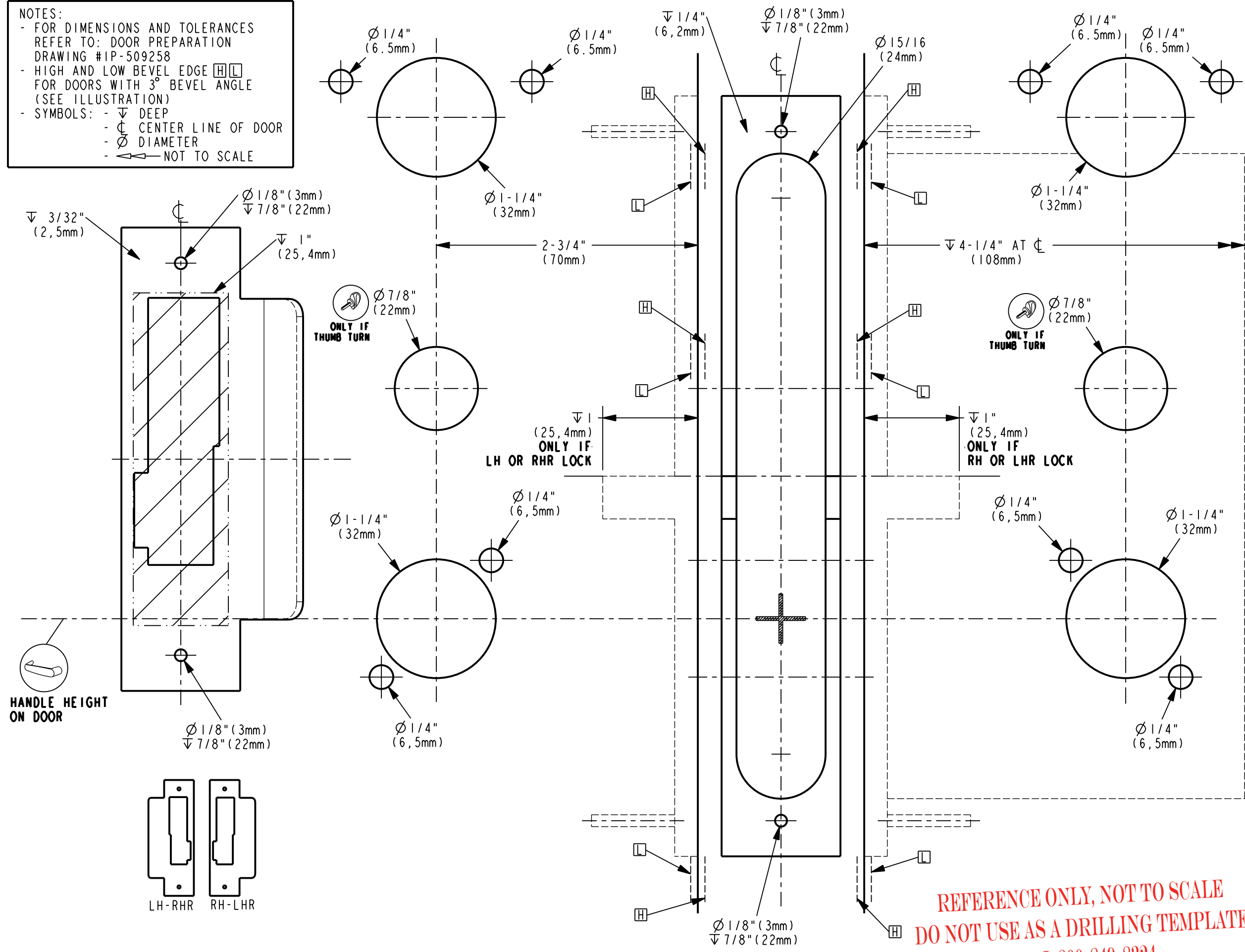
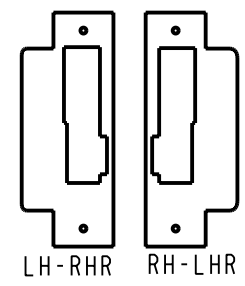


NOTES:
 - FOR DIMENSIONS AND TOLERANCES REFER TO: DOOR PREPARATION DRAWING #IP-509258
 - HIGH AND LOW BEVEL EDGE [H][L] FOR DOORS WITH 3° BEVEL ANGLE (SEE ILLUSTRATION)
 - SYMBOLS: - ∇ DEEP
 - ⊕ CENTER LINE OF DOOR
 - ∅ DIAMETER
 - ← NOT TO SCALE



HANDLE HEIGHT ON DOOR



REFERENCE ONLY, NOT TO SCALE
DO NOT USE AS A DRILLING TEMPLATE
 CALL 800-849-8324

KABA
ilco

7301, Decarie Boul
 Montreal, QC Canada
 H4P 2G7
 www.kaba-ilco.com

DRILLING TEMPLATE
ORACODE 610, EPBL 4000
 AMERICAN MORTISE - 1-1/4" FRONT PLATE
 LEFT HAND (LH) - LEFT HAND REVERSE (LHR)
 RIGHT HAND (RH) - RIGHT HAND REVERSE (RHR)
 BACKSET OF: 2-3/4" (70mm)

DT-509258 SHEET 1 OF 1 REV-3 ECN*10088