



RD10

Electronic Roller Door Lock

Strong, secure and convenient are vital qualities of any lock. To date, roller door locks have failed to achieve the right balance of these features so compromises had to be made, but no longer. The RD10 electronic roller door lock combines the features found in traditional electronic locks, with the physical strength and function required to secure roller door of any shape, whatever size.

Extreme Security

- Automatic deadbolting, 18mm diameter stainless steel bolt pin
- 30,000N holding force (3,000Kg)
- Keyed access to manual override

Varied Voltage Input

- Input voltage from 12VDC – 24VDC

Complete Monitoring

- Door position switch
- Bolt locked monitor
- Bolt unlocked monitor

Integrated Access Control

- Selectable timed re-lock after 1 minute
- Multiple attempts to lock and unlock
- User selectable fail safe / fail secure operation
- Anti-tamper and selectable instant auto-relock when desired

Versatile Installation

- Internal horizontal or vertical installation

Security System Compatible

- Integrate with access control and alarm systems

Dimensions

- 157mmL x 89mmW x 77mmD

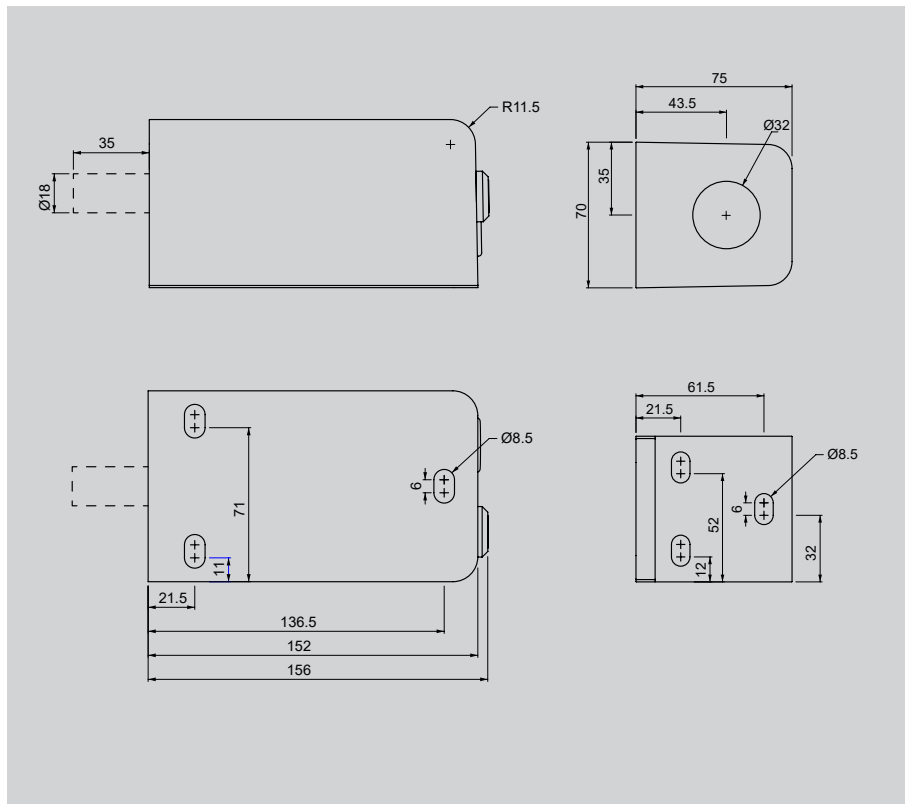
Advantages at a glance:

- Secure roller door of any shape or size
- Automatic deadbolting providing high security
- Selectable Fail Safe to Fail Secure
- Versatile Installation
- Compatible with security systems

dormakaba Australia
 Head Office
 46-52 Abbott Road
 Hallam VIC 3803
 T: 1800 675 411
 info.au@dormakaba.com
 www.dormakaba.com.au

dormakaba New Zealand
 Head Office
 Building P, 61-69 Patiki Road
 Avondale, Auckland 1026
 T: 0800 436 762
 info.nz@dormakaba.com
 www.dormakaba.co.nz

Ultimate security



With a holding force of over 30,000N the electronic roller door lock offers the ultimate security for large doors and shutters.

The mounting bolts for the lock are concealed under the lock's cover which can only be removed by using the supplied key.

With its symmetrical design the electronic roller door lock can be mounted horizontally or vertically on the left or right hand side of a door.

Technical data

Lock – Field convertible - RD10

- 152L x 88W x 78D(mm)

L Strike - RDA703

- 75L x 75W x 70D(mm)

Holding Force

- 30,000N (3000Kg)

Bolt Pin

- Stainless Steel, \varnothing 18mm, 35mm stroke

Feedback

- Audible beeper for locked / unlocked and failed alarm

Voltage at Lock

- 12 – 24VDC +/-10%

Current Usage

- Holding: <50mA@12V, <15mA@24V
- Operating: <300mA@12V, <200mA@24V
- Stall: <2A@12V, <1A@24V

Monitors Switches

- Bolt position: 60VDC, 0.2A
- Door Position: 100VDC, 0.5A

Materials

- Aluminium: A380, Stainless Steel: 304

Endurance

- Cycle tested to 1000000 operations