

The background of the page features two images of DORMA ancillary hardware. The top image shows a vertical metal plate with a circular hole and a horizontal metal bar with a circular opening and a small rectangular slot. The bottom image shows a similar setup, but the horizontal bar has a cross-shaped hole instead of a circular one. Both images have a semi-transparent white overlay on the left side where the text is located.

ANCILLARY HARDWARE

General Builder's Hardware

DORMA ANCILLARY HARDWARE RANGE, FUNCTIONAL, DEPENDABLE AND PRACTICAL IN APPLICATION.

As expected from the world market leader in Door Controls, DORMA can always be relied on to address the needs of the architectural hardware market. An important sector of the commercial and residential

building market is ancillary hardware. DORMA has developed a suite of ancillary hardware products designed to complement our range of architectural hardware products.

Features

- Economical and functional range of ancillary hardware products manufactured for extreme reliability using the finest materials available
- The modern look of Satin Stainless Steel, Satin Nickel Plate and Clear Anodised Aluminium combined with clean lines for greater aesthetics

Product Highlights

- Tubular latch with solid one piece hub and matching Stainless Steel latch bolt
- Roller Bolt with adjustable tension and nylon roller for a silent and smooth action, complete with universal strike plate
- Door stops, floor or wall models are all standard with black rubber buffers
- Barrel Bolts contain a spring loaded ball bearing enabling a positive and smooth action
- Flush bolts of 19mm width for ease of installation into thinner doors with extended shoe and break off point
- Sequence Selectors feature Clear Anodised Aluminium to provide uniform finish with silver door closers and a piano wire spring for added durability
- Push and Pull plates with radius 10mm corners preventing sharp edges
- Tubular bolt accepts both star spindle and flat tail for turn activation along with matching stainless steel bolt

RECOMMENDED APPLICATIONS

- Offices
- Apartments
- Retail complexes
- Schools and Universities
- Municipal buildings
- Partition fit-outs
- Residential housing



SPECIFICATION SERVICE

If you require any technical assistance with this or any other DORMA product, or would like help in preparing your next complete hardware specification please contact your DORMA sales office for a no cost and obligation free hardware specification service.

DORMA Ancillary Hardware:

DORMA Door Controls Pty Ltd reserves the right to alter dimensions, design or specifications to any of this product range without notice.

2202 TUBULAR LATCH

Description

60mm backset tubular latch

Applications

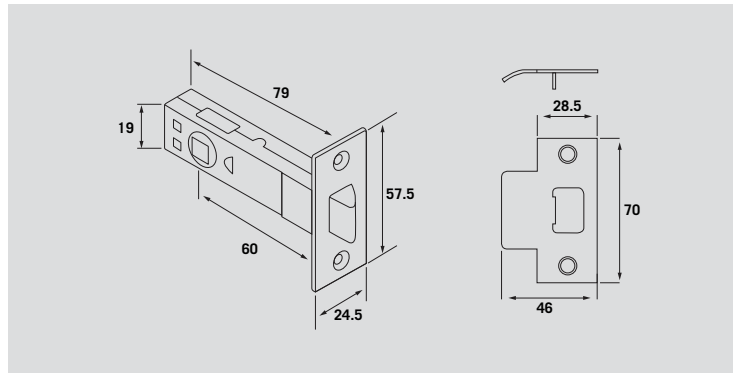
Offices, Residential

Features

Zinc plated steel housing with stainless steel latch bolt, face plate and strike plate as standard. Solid 7.6mm stainless steel spindle hub for added strength and designed to suit horizontal fixed door furniture with 41mm fixing centres. Strike plate with anti rattle feature.

Finish

Satin Stainless Steel, Polished Stainless Steel



2208 TUBULAR BOLT

Description

60mm backset tubular privacy bolt

Applications

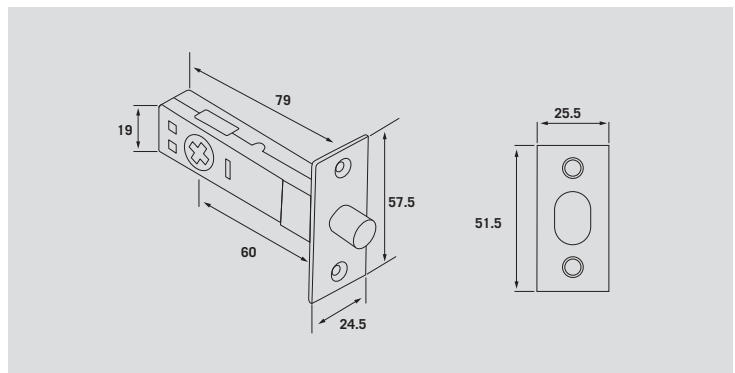
Residential, Bathrooms, Ensuite, W.C.

Features

Zinc plated steel housing with stainless steel bolt, face plate and keeper plate as standard. Hub accepts star spindle and 6mm flat tail suitable for most universal turn snibs.

Finish

Satin Stainless Steel
Polished Stainless Steel



2203 REBATE KIT

Description

Suitable for 13mm rebated meeting stiles

Applications

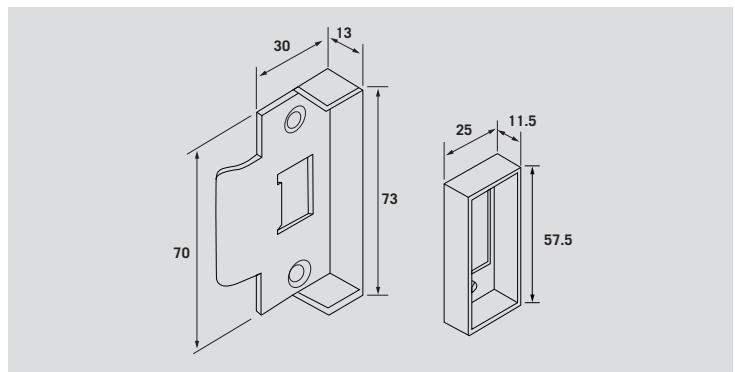
Rebated double doors

Features

Stainless steel rebate kit with anti rattle latch keeper

Finish

Satin Stainless Steel
Polished Stainless Steel



2520 ROLLER BOLT

Description

Mortice roller bolt

Applications

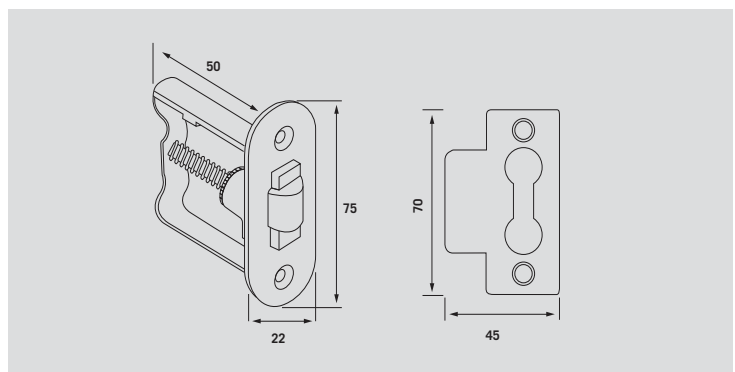
Cupboards, Pivot doors

Features

Adjustable holding force with nylon roller and brass guides

Finish

Satin Nickel Plate



2290 DOOR STOP

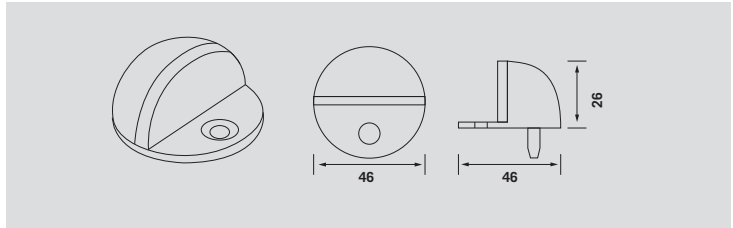
Description

Floor mounted door stop

Features

Low profile zinc die cast door stop with black rubber buffer

Finish Satin Nickel Plate



2290E DOOR STOP

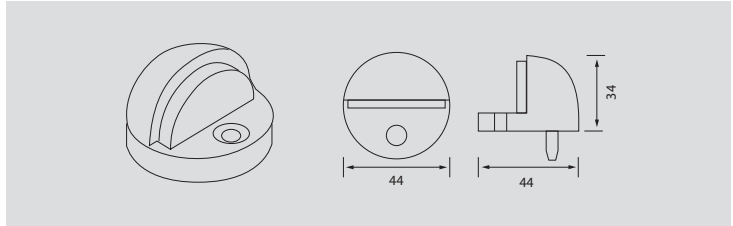
Description

Floor mounted door stop

Features

One piece zinc die cast door stop with black rubber buffer and 8mm additional height

Finish Satin Nickel Plate



2250 DOOR STOP

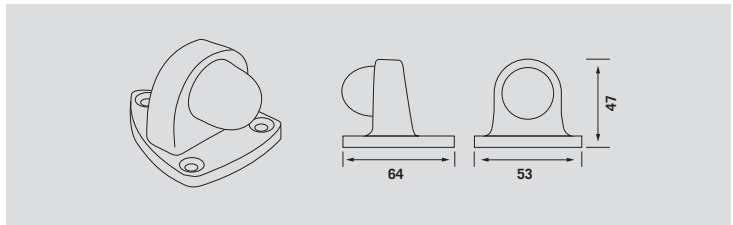
Description

Floor mounted door stop

Features

Zinc die cast door stop with black rubber buffer and three fixing points for more heavy duty applications

Finish Satin Nickel Plate



2280 DOOR STOP

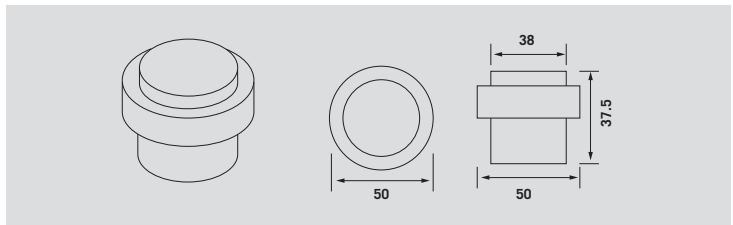
Description

Floor mounted door stop

Features

Stainless Steel stop with full diameter black rubber buffer ring

Finish Satin Stainless Steel



2300 DOOR STOP

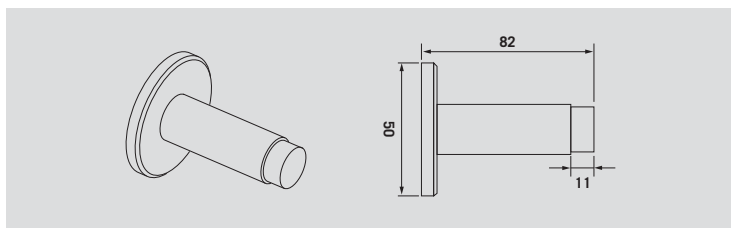
Description

Wall mounted door stop

Features

Stainless Steel stop with black rubber buffer and four concealed fixing points

Finish Satin Stainless Steel



2350 DOOR STOP

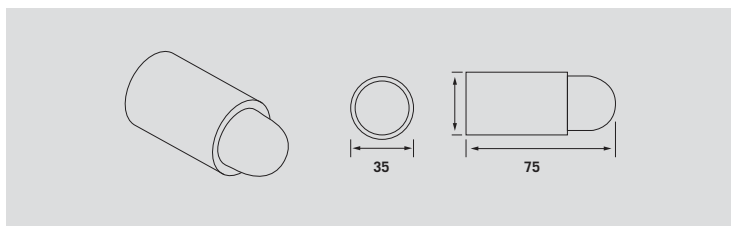
Description

Wall mounted door stop

Features

Zinc die cast stop with black rubber buffer and two concealed fixing points

Finish Satin Nickel Plate



2750 BARREL BOLT

Description

Surface mounted barrel bolt supplied with frame keeper and floor plate.

Features

Bolt housing contains a ball bearing for positive and smooth movement with a 25mm throw.

Available Lengths (x)

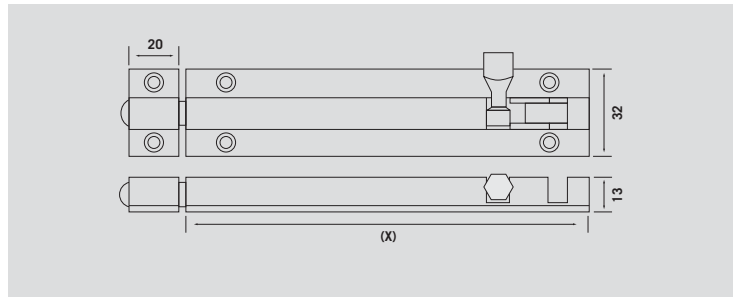
2750 - 150mm

2750 - 200mm

2750 - 300mm

2750 - 600mm

Finish Satin Nickel Plate



2751 NECKED BARREL BOLT

Description

Surface mounted necked barrel bolt supplied with floor plate keeper.

Features

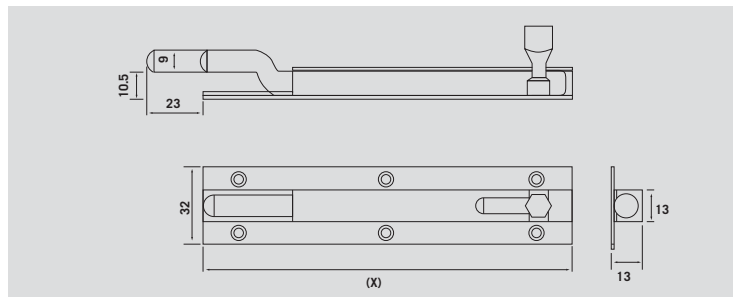
Bolt housing contains a ball bearing for positive and smooth movement with a 23mm throw.

Available Lengths (x)

2751 - 150mm

2751 - 300mm

Finish Satin Nickel Plate



2752 LONG THROW BARREL BOLT

Description

Surface mounted barrel bolt supplied with frame keeper and floor plate.

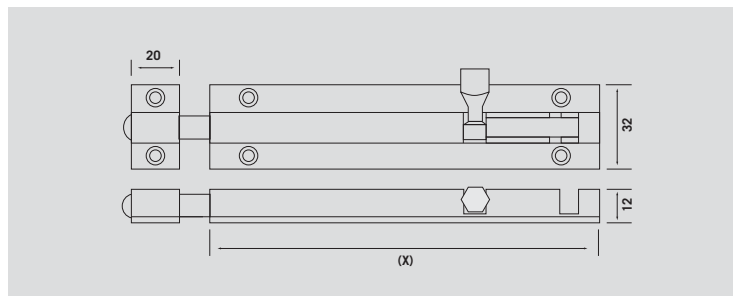
Features

Barrel bolt with long throw of 40mm. Bolt housing contains a ball bearing for positive and smooth movement

Available Lengths (x)

2752 - 150mm

Finish Satin Nickel Plate



BARREL BOLT ACCESSORIES

Optional accessories

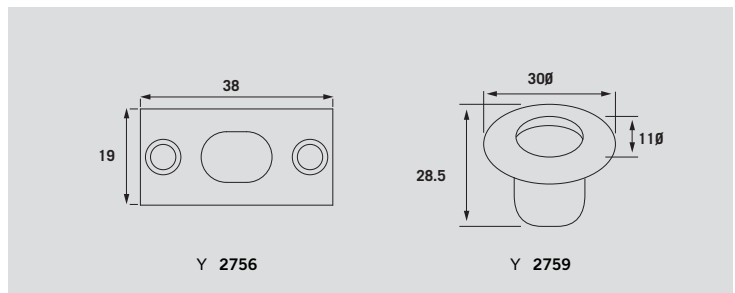
2756 Floor plate

2759 Top hat ferrule*

Finish

Satin Nickel Plate*

Satin Stainless Steel



2780 PANIC BOLT

Description

Surface mounted panic bolt (skeleton) with concealed fixing, frame keeper and floor plate.

Application

For use on the inactive leaf of double doors where a more robust and stronger bolt is required.

Features

Concealed panic bolts offer greater aesthetics and are highly suitable for doors with lesser stile widths. Standard throw is 50mm.

Available Lengths (x)

2780 - 300mm

2780 - 450mm

2780 - 600mm

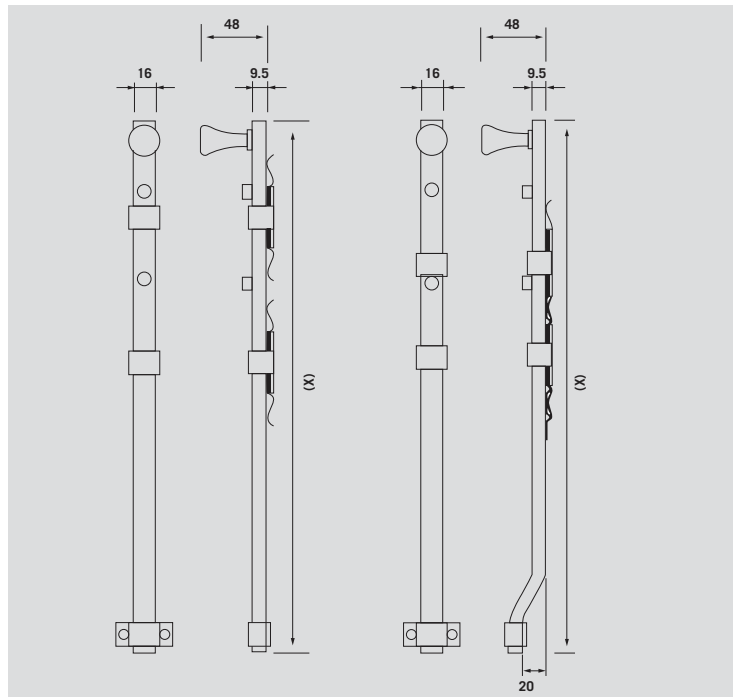
Offset Option

Surface mounted panic bolt (skeleton) with concealed fixing and 20mm offset

Available Offset Lengths (x)

2780 - OS - 600mm

Finish Satin Nickel Plate



2790 PANIC BOLT

Description

Surface mounted panic bolt (skeleton) with visible fixing, frame keeper and floor plate.

Application

For use on the inactive leaf of double doors where a more robust and stronger bolt is required.

Features

Standard throw of 50mm.

Available Lengths (x)

2790 - 300mm

2790 - 450mm

2790 - 600mm

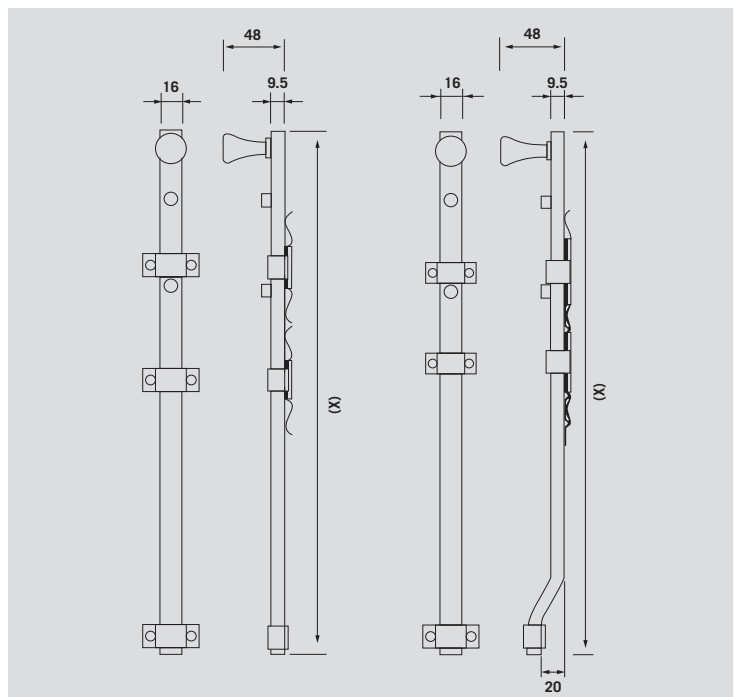
Offset Option

Surface mounted panic bolt (skeleton) with visible fixing and 20mm offset

Available Offset Lengths (x)

2790 - OS - 600mm

Finish Satin Nickel Plate



PANIC BOLT ACCESSORIES

Optional Accessories

2785 Standard Floor Plate

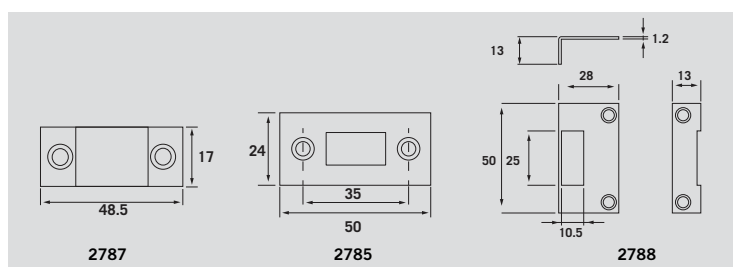
2787 Frame Keeper*

2788 Angle Top Plate

Finish

Satin Nickel Plate*

Satin Stainless Steel



2901 FLUSH BOLT

Description

Flush bolt for edge mounting or face mounting on double doors

Features

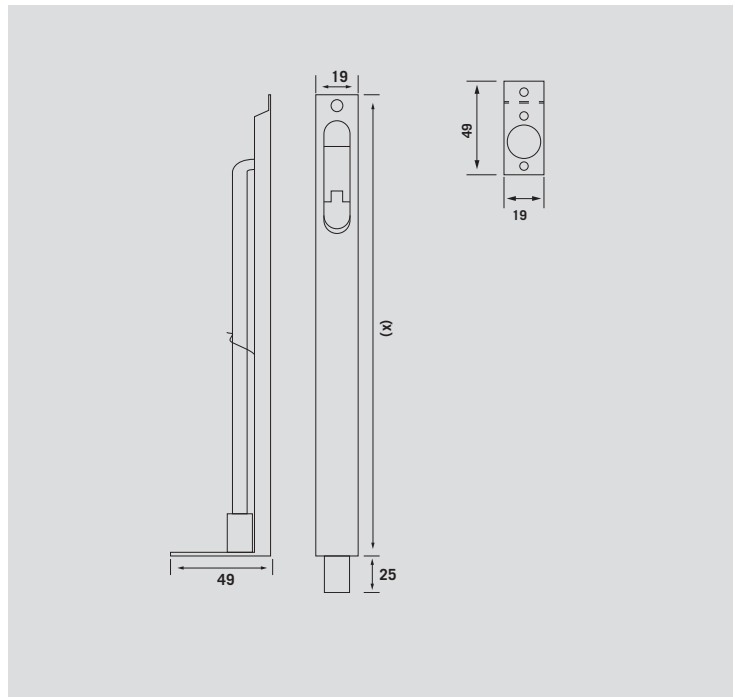
Slim flush bolt enabling installation to doors of 32mm thickness. Extended shoe with break off and includes standard keeper plate. Bolt throw is 25mm.

Available Lengths (x)

150mm
300mm
450mm
600mm

Finish

Satin Nickel Plate



FLUSH BOLT ACCESSORIES

Optional accessories

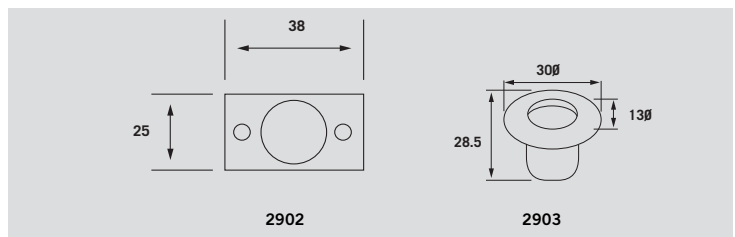
2902 Standard keeper plate

2903 Top hat ferrule*

Finish

Satin Nickel Plate*

Satin Stainless Steel



SEQUENCE SELECTOR

Description

Sequence selectors for use on double doors with rebated meeting stiles, overlapping seals or latch mechanisms that require the door leaves to close in the correct sequence

Features

Aluminium sequence selector with nylon roller suitable for left or right handed doors. For added durability we use only the highest quality spring wire available.

Available Model Lengths (x)

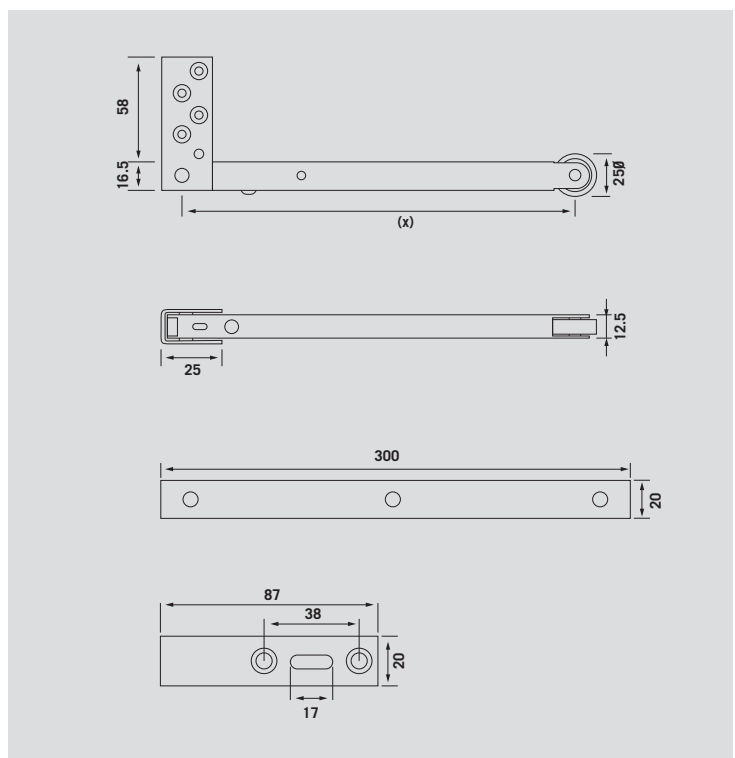
2180 - 180mm – suits pair of doors to 1800mm

2230 - 230mm – suits pair of doors to 2400mm

2305 - 305mm – suits pair of doors greater than 2400mm, also for use with panic exit devices

Finish

Clear Anodised Aluminium



375 & 310 SERIES

Description

Concealed and Visible fix Stainless Steel push and pull plates for fixing back to back through the door.

Applications

Schools, Hospitals, Kitchen Facilities, Toilet Airlock entries, Pivot Doors, Cupboards and other commercial applications.

Features

Stainless Steel plates 2mm in thickness with 10mm radius corners eliminating sharp corners often associated with square cornered plates.

Door Thickness

Screws suit door thickness up to 60mm as standard. Plates requiring extended fixing screws are available on application. Pull handles supplied on their own are suitable for door thickness to 50mm

Plate Size

300 x 75mm x 2mm
300 x 100mm x 2mm

Pull Handle Size

150mm centres x 16mm diameter
200mm centres x 16mm diameter
Pull handles can be ordered separately and supplied with fixing bolts for doors to 50mm thickness

Finish

Satin Stainless Steel

Ordering

Height	Width	Fixing	Handle	Finish
3-300mm	10-100mm	C- Concealed	H15 - 150 x 16mm	SSS
	75-75mm	V - Visible	H20 - 200 x 16mm	

Door Sets

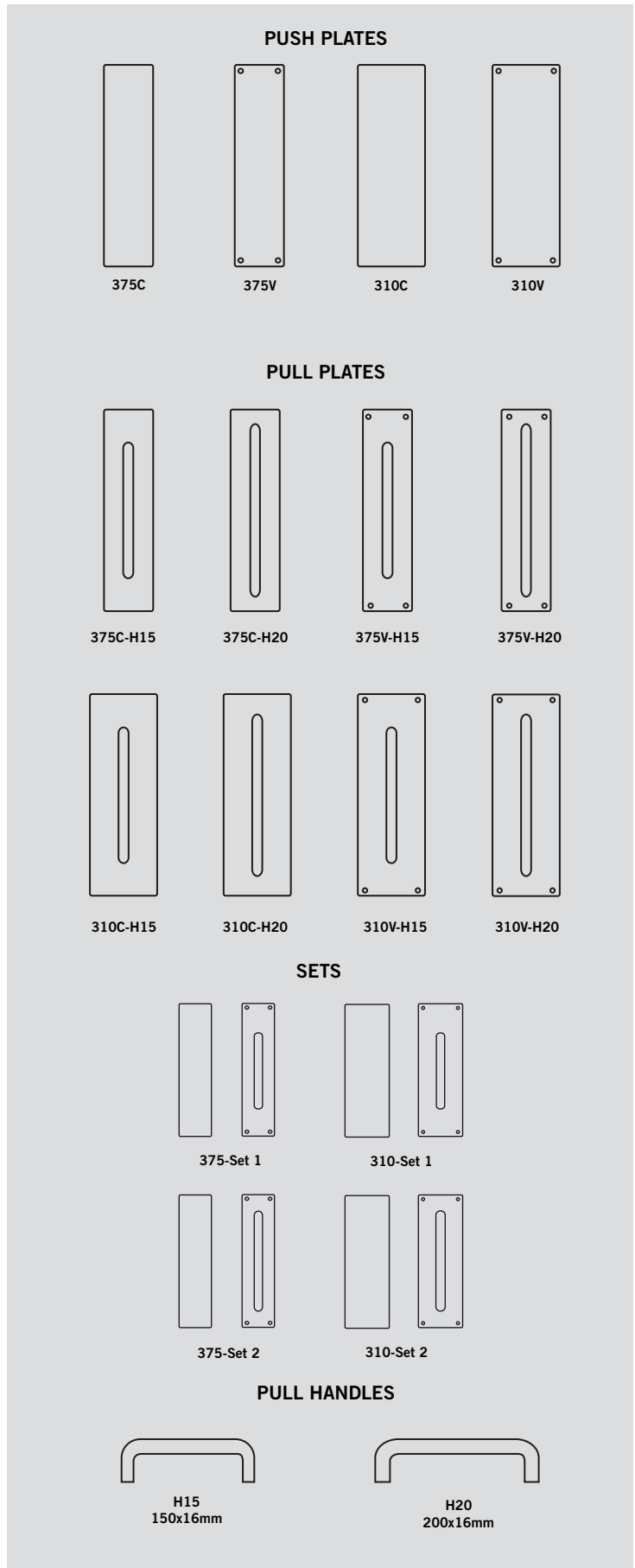
For convenience push pull plate sets are available in the following sets

375 Set 1 consisting of 375C push plate and 375V-H15 pull plate

310 Set 1 consisting of 310C push plate and 310V-H15 pull plate

375 Set 2 consisting of 375C push plate and 375V-H20 pull plate

310 Set 2 consisting of 310C push plate and 310V-H20 pull plate





DORMA Australia P/L
Head Office
Victorian Sales Office
46-52 Abbott Road,
Hallam, Victoria 3803
Telephone (03) 8795 0666
Facsimile (03) 8795 0280
Toll Free Facsimile
1800 333 309

New South Wales &
Australian Capital Territory
Telephone (02) 9645 8350
Facsimile (02) 9645 8355

Queensland
Telephone (07) 3394 6810
Facsimile (07) 3394 2953

New Zealand
Dorma NZ Limited
Building P
61-69 Patiki Road
Avondale
Auckland 1026
Telephone (09) 830 2052
Facsimile (09) 820 4909

South Australia &
Northern Territory
Telephone (08) 8337 4064
Facsimile (08) 8365 8572

Western Australia
Telephone (08) 9228 2322
Facsimile (08) 9228 2422

Newcastle
Telephone (02) 4960 2606
Facsimile (02) 4960 2544

ACT
Telephone (02) 6203 0323
Facsimile (02) 6260 1810

Tasmania
Telephone (03) 6225 4117

