

# MUNDUS Premium and Comfort PT30

Overpanel Patch fittings

## Installation instructions

942002 – 10-2017

| EN |

dormakaba 

# Table of contents

<b>1</b>	<b>Technical specifications</b>	<b>3</b>
1.1	Overview	3
	1.1.1 General information	3
	1.1.2 Intended use	3
	1.1.3 Glass requirements/fittings/mounting	3
	1.1.4 Requirements for glass panel	3
	1.1.5 Safety instructions	3
	1.1.6 Symbols used - Safety/Installation	3
	1.1.7 Maintenance, care, repair	3
	1.1.8 Disposal	3
1.2	Door dimensions	4
1.3	Glass thickness/pivot point angle specifications	5
1.4	Tempered laminate glass (TLG) and adhesive specifications	6
<b>2</b>	<b>Installation instructions</b>	<b>7</b>
2.1	Overall	7
2.2	Plate/stud location	8
2.3	Secure patch plate to stud	9
2.4	Install gaskets	9
2.5	Install glass and remaining fitting parts	10
2.6	Secure and set fitting location	10
2.7	Plumb and level the fittings	11
2.8	Setting the pivot/blank/stop	12
2.9	Door alignment	12
2.10	Door adjustments	13
2.11	Apply adhesive	14
2.12	Install covers	14

# 1 Technical specifications

## 1.1 Overview

These instructions are for installation of the PT30 Overpanel Patch Fittings for the following mounting and style versions:

### 1. Glass mounting

#### 1.1.1 General information

- dormakaba requires use of tempered laminated or tempered monolithic glass.
- dormakaba glass hardware is not suitable for harsh environment; for example, applications where chemicals (e.g. chlorine) are used such as indoor swimming pools, saunas, or salt-water pools.
- Do not swing doors with excessive force. Install limiting stop to prevent door from opening too far.

#### 1.1.2 Intended use

- For pivoting doors in indoor or covered areas only.
- For manual slowly opening and closing only.

#### 1.1.3 Glass requirements/fittings/mounting

- The substructure/wall must be able to bear permanent loads, be level (max. tolerance: 1/16" [2] per 39" [1m]).
- Fasteners must be sufficiently dimensioned for the substructure/wall and weight of the door.
- When adjusting glass elements, always stick to the required clearance for the respective hardware. Adjust clearance so glass does not come in contact with any hard surfaces such as glass, metal or concrete.
- Do not use excessive force when installing the glass (avoid over tightening screws.)

#### 1.1.4 Requirements for glass panel

- Heat-soaked thermally tempered safety glass
- Clamping area must be flat and uncoated (no self-cleaning coating!)
- Never use glass with conchoidal fractures and/or damaged edges.

#### 1.1.5 Safety instructions

- Installation requires two people.
- Always wear protective clothing.
- Only properly qualified and specially trained staff is authorized to mount dormakaba glass hardware.

- Due to crushing hazards and possible injury caused by breakage of glass during mounting, corresponding protective clothing (especially gloves and protective goggles) is required.
- Never clamp metal fitting hardware directly to glass surface.
- Never use clamping products on surfaces with self-cleaning coatings.

#### 1.1.6 Symbols used - Safety/Installation



#### CAUTION

Mounting components must meet the requirements of substructure/wall and door weight. Please read the technical information for fittings.



#### WARNING

Risk of breaking glass. When installing the door, support the door panel with a block of wood or similar object.



#### TIPS AND RECOMMENDATIONS

Information note



#### CLOSING EDGE OF DOOR

#### 1.1.7 Maintenance, care, repair

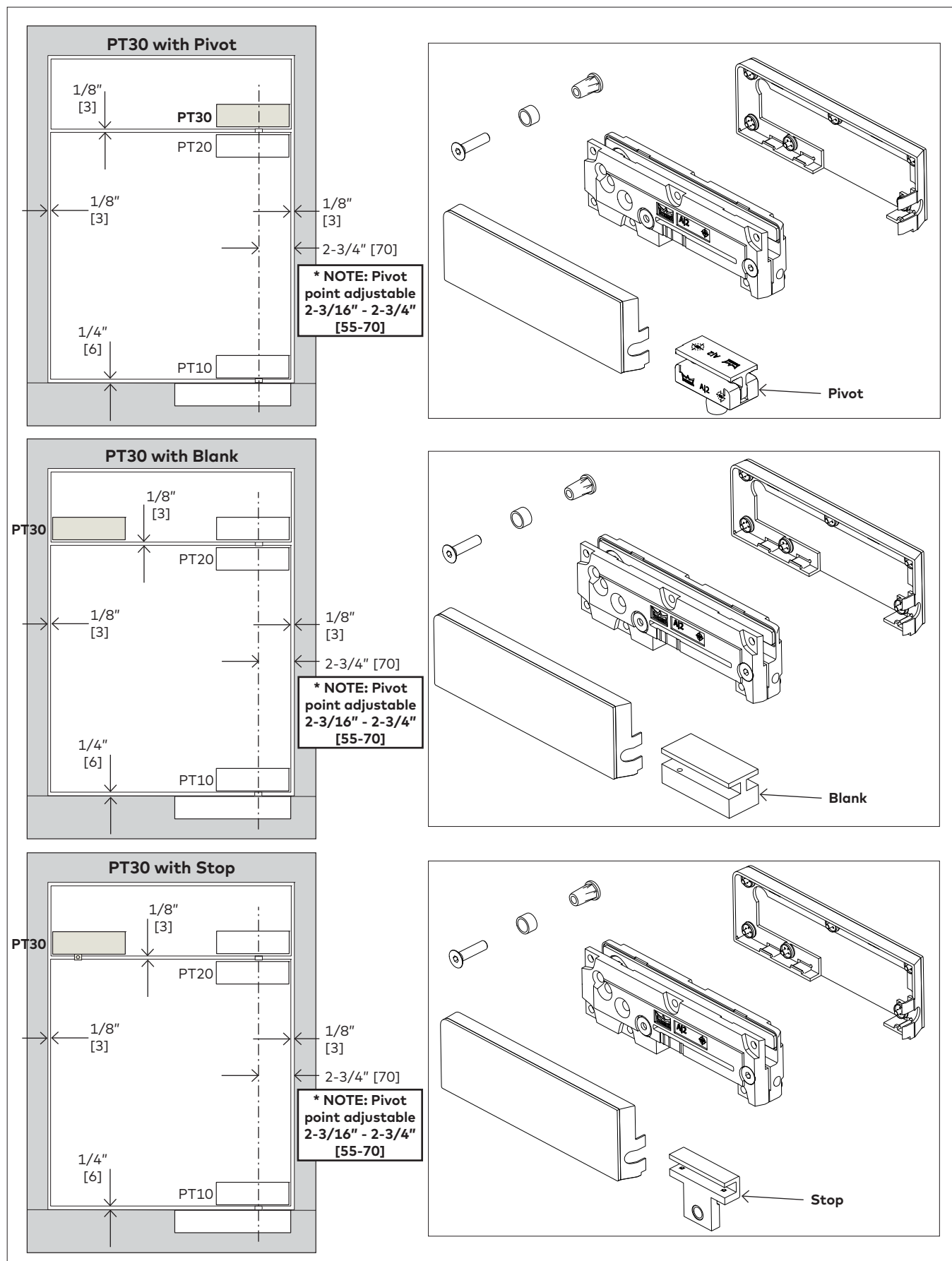
- Immediately replace damaged parts.
- Always use original dormakaba parts.
- Clean clamping area with alcohol-based standard commercial cleaning agent before mounting the glass hardware.
- Use a damp cloth for occasional cleaning.
- Always use silicone - and oil-free cleaners (e.g. acetone).
- Check glass hardware at regular intervals for proper positioning, smooth operation and correct adjustment.
- High traffic door systems require inspection by properly qualified staff (specialized companies or installation firms.)
- Function of fittings is recommended to be inspected every 500,000 movements by a specialist.

#### 1.1.8 Disposal

Disposal in accordance with local, state and national regulations.

## 1.2 Door dimensions

Fig. 1



### 1.3 Glass thickness/pivot point angle specifications

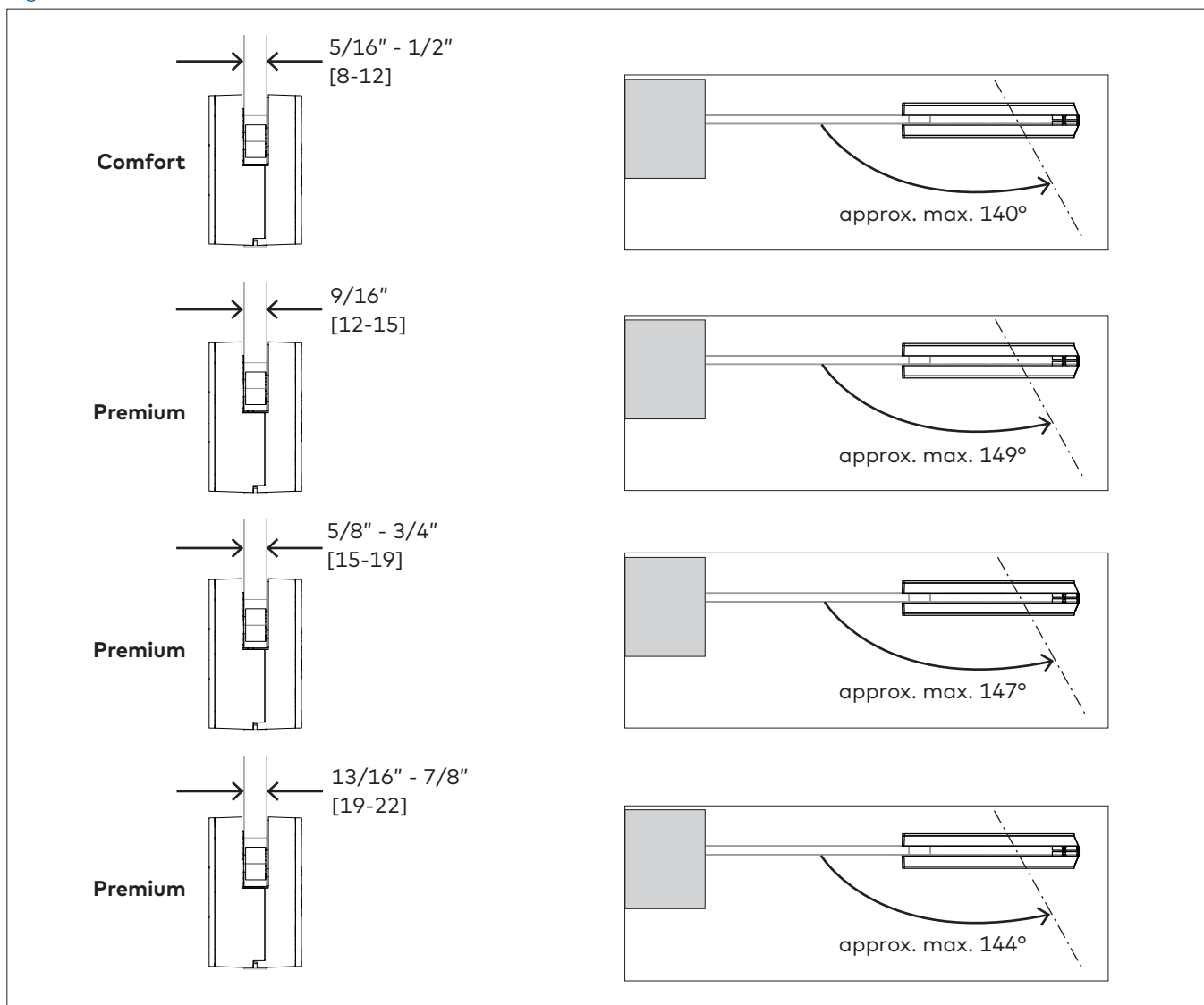


**NOTICE**

Observe the opening angle of the door. The opening angle for your installation, according to glass thickness, pivot point and patch fitting for overpanel and sidelite PT40, can be found in the table. Use a door stop to avoid damages to the patch fittings.

		Pivot point [mm]	
		2-9/16" [65]	2-3/4" [70]
Glass thickness [mm]	1/2" [12]	147°	149°
	5/8" [16]	144°	147°
	3/4" [19]	141°	144°
	7/8" [22]	139°	141°

Fig. 2



## 1.4 Tempered laminate glass (TLG) and adhesive specifications

Required parts for laminate glass with MUNDUS System (not included)	Color	Part Number	Quantity	Usage recommendation
3M™ Scotch-Weld™ Urethane Adhesive, DP 605 NS	off white	934.800	1 tube	1 tube per 10 fittings
3M™ Scotch-Weld™ EPX™ Plus II Applicator with 1:1 Plunger <sup>2</sup>		934.801	1 applicator	
3M™ Scotch-Weld™ EPX™ Plus II Mixing Square Nozzle, 5.3mm <sup>3</sup>	gold	934.802	1 tip nozzle	1 nozzle per 2 fittings
MUNDUS gasket for TLG		842.821 842.825	1 set	
Handling time frame	Function	Time		
	Working life ( <i>time between application and clamping of carrier</i> )	5 minutes @ 75°F		
	Handling strength	20 minutes @ 73°F or more		
	Full cure time ( <i>time until glass may be completely installed into door</i> )	48 hours @ 73°F or more		

**NOTE: Door glass should not be installed until the full cure time as been reached (see chart above).**

1.1 Clean clamping area with alcohol-based standard commercial cleaning agent before mounting the glass hardware.

**Important safety-related information for the mounting and use of dormakaba glass hardware.**

1.2 Never clamp metal fitting hardware directly to glass surface.  
1.3 Never use clamping products surfaces with on self-cleaning coatings.

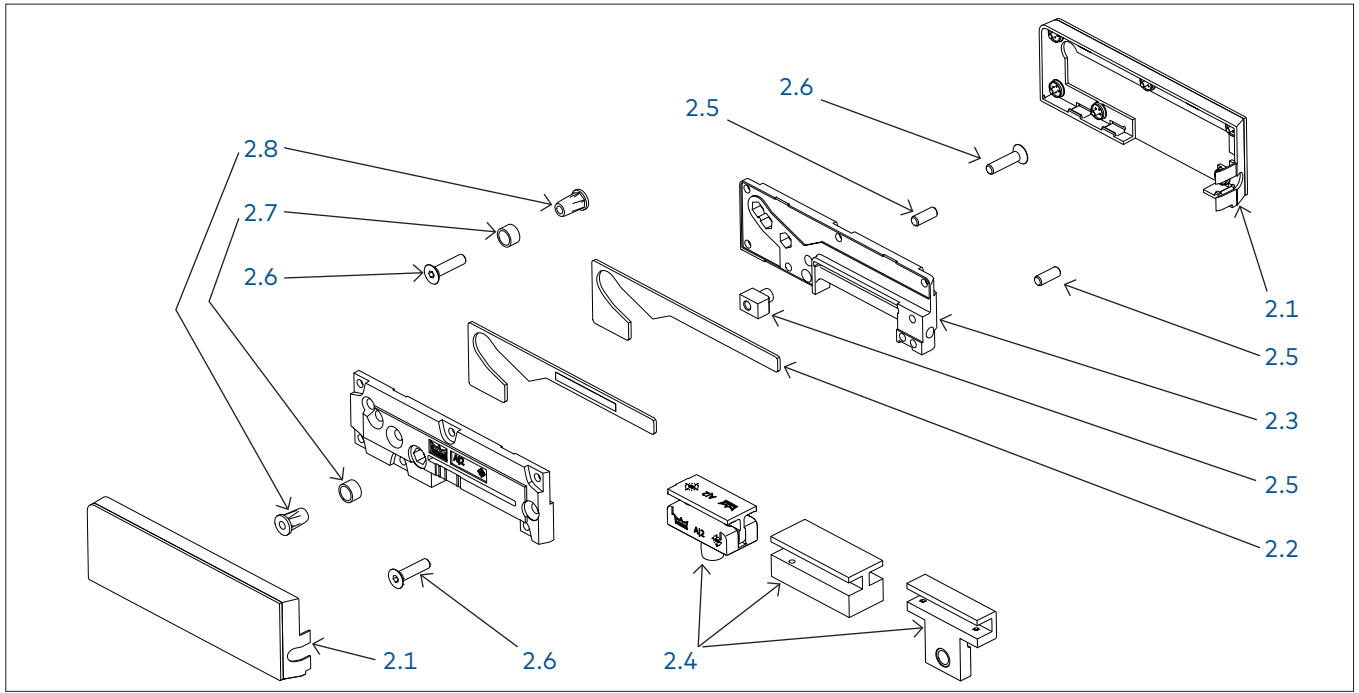
<sup>2</sup> Scotch-Weld™ EPX™ Plus II Applicator with 1:1 Plunger is a trademark of 3M.

<sup>3</sup> Scotch-Weld™ EPX™ Plus II Mixing Square Nozzle is a trademark of 3M.

# 2 Installation instructions

## 2.1 Overall

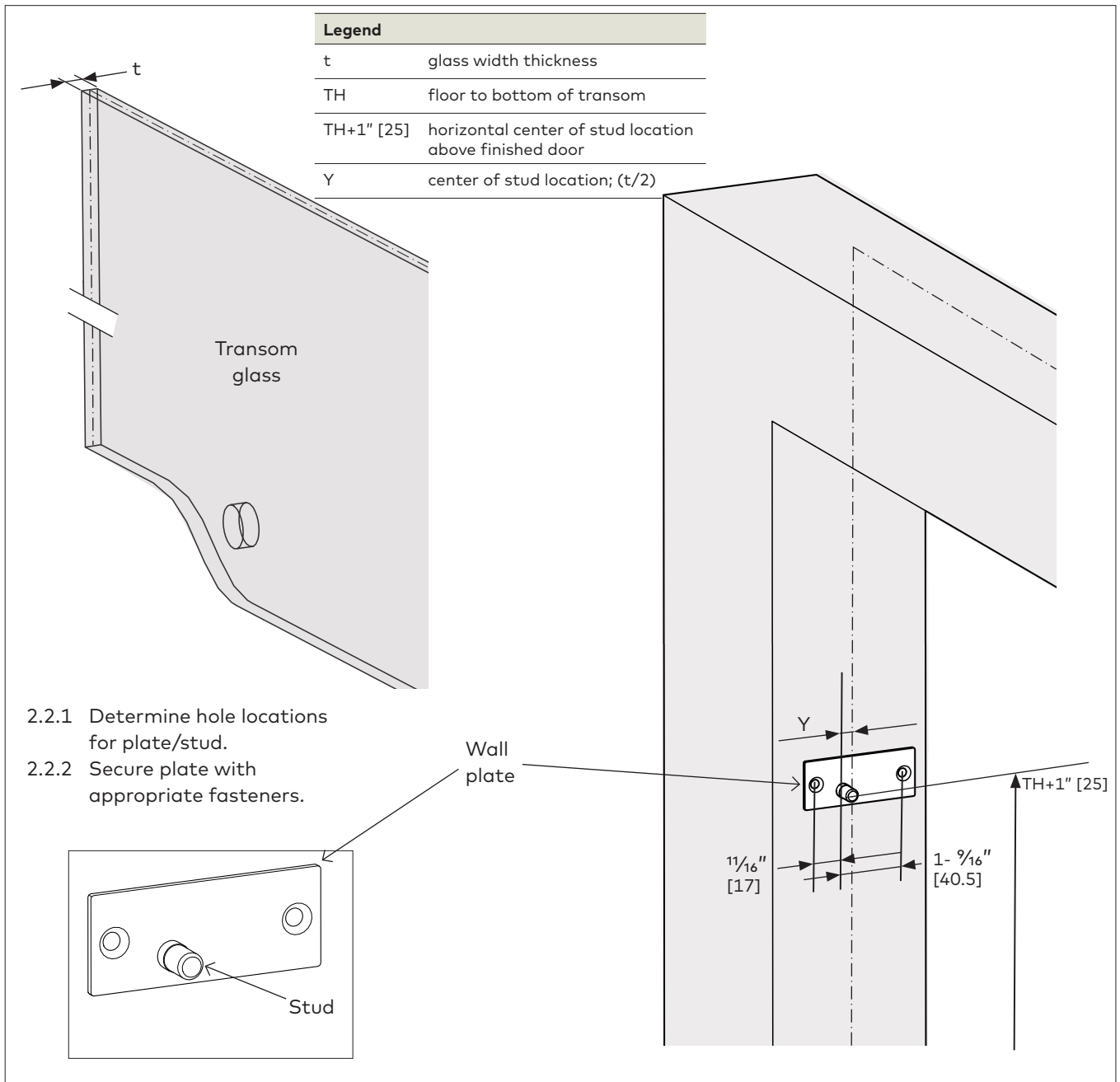
Fig. 3 Overall exploded view of entire system



- |                              |   |                                  |
|------------------------------|---|----------------------------------|
| 2.1 Covers                   | 2.4 Pivot/blank/stop<br>(application dependent) | 2.6 Fasteners (3x included)      |
| 2.2 Gasket (standard or TLG) | 2.5 Spacer and set screws                       | 2.7 Glass grommets (2x included) |
| 2.3 Patch plates             |   | 2.8 Sleeve nuts (2x included)    |

## 2.2 Plate/stud location

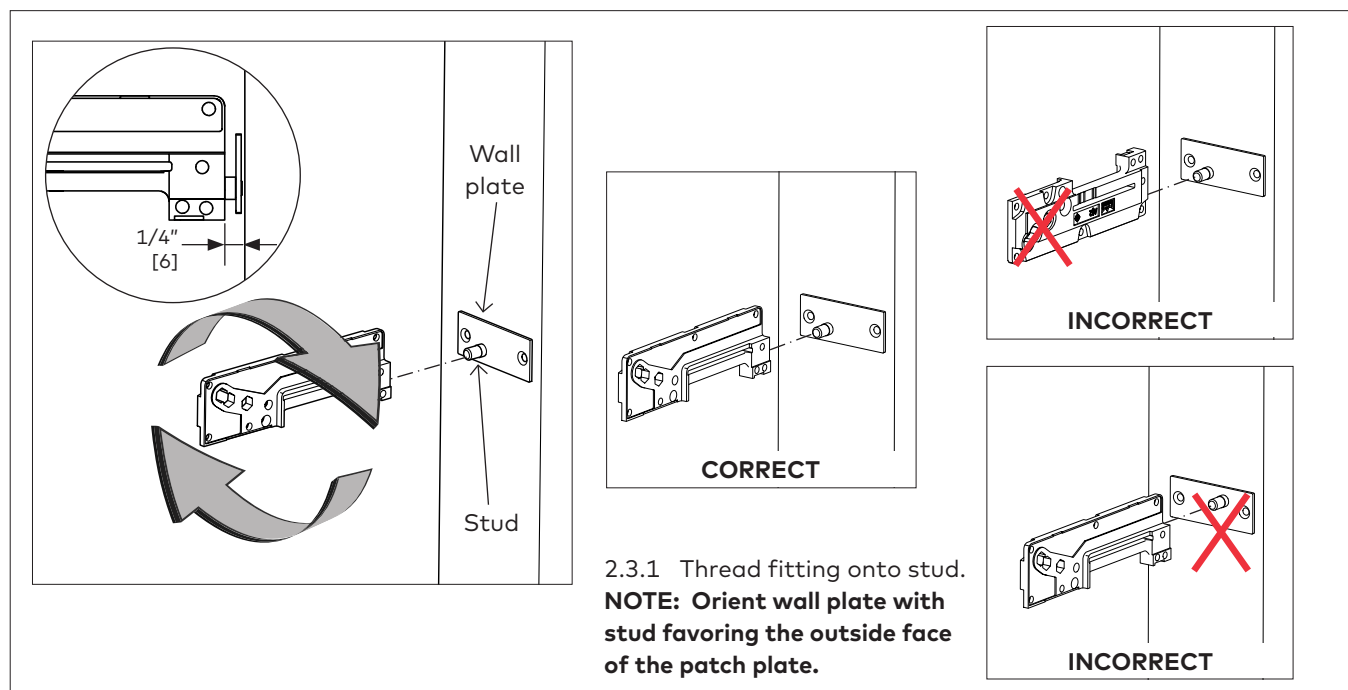
Fig. 4





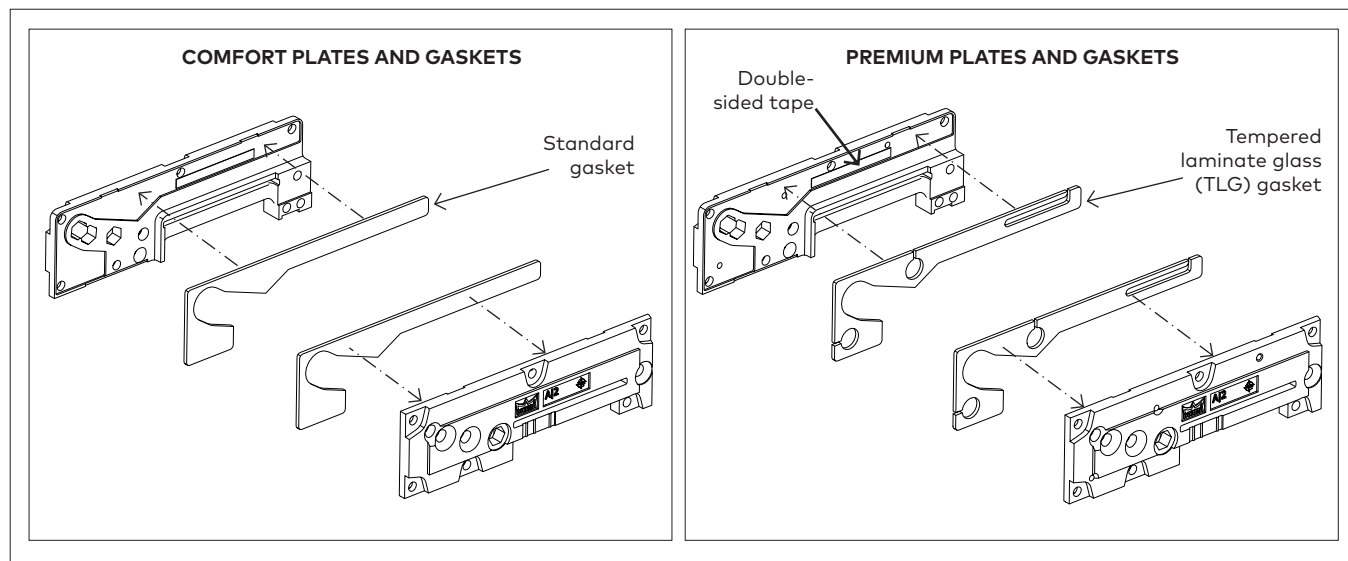
## 2.3 Secure patch plate to stud

Fig. 5



## 2.4 Install gaskets

Fig. 6



### Comfort:

2.4A.1 Gaskets are pre-secured to patch plates.

**NOTE: Image shown exploded for viewing purpose only.**

### Premium:

2.4B.1 Install TLG gaskets using the pre-adhered double-sided tape strip.

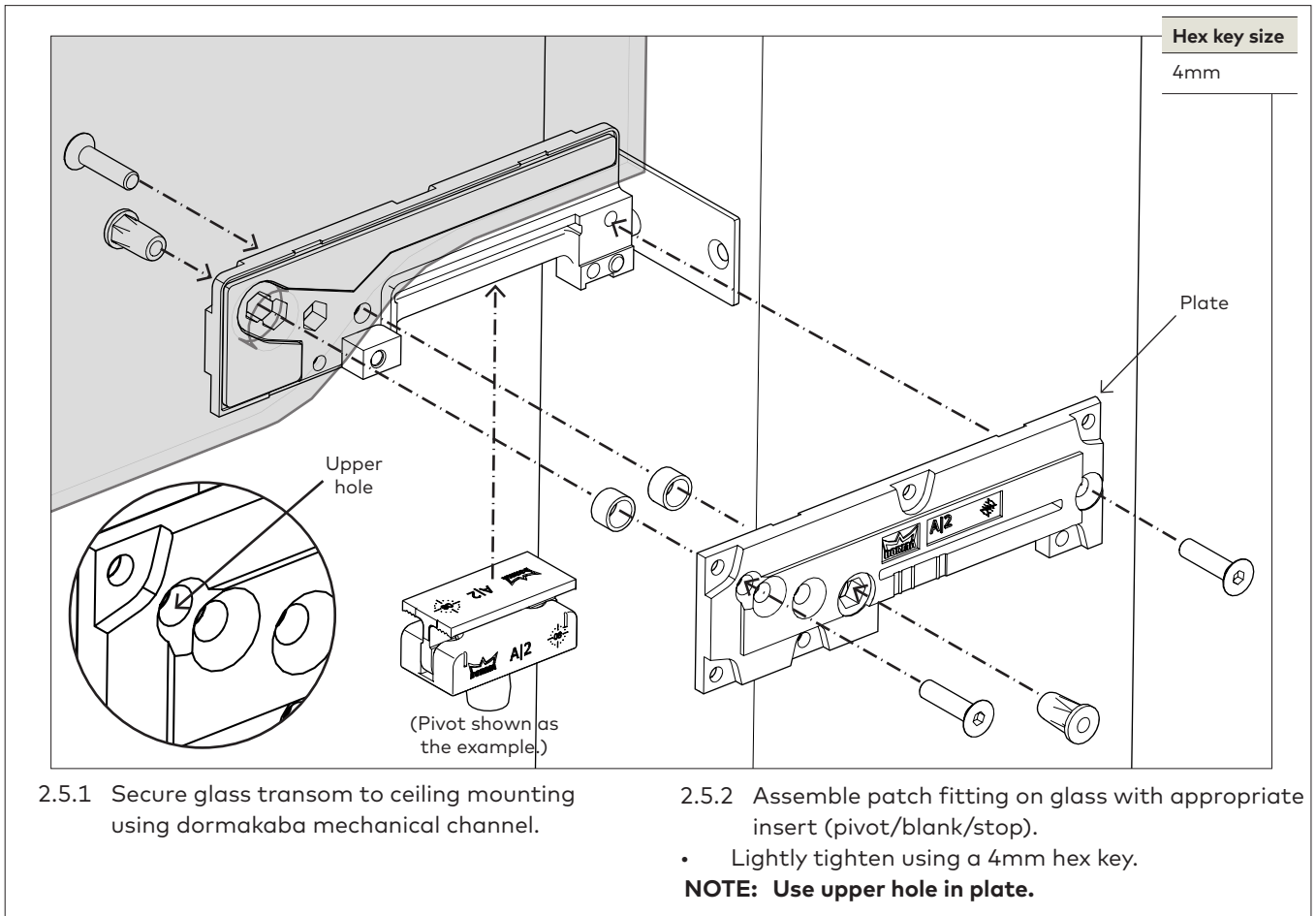
**NOTE: (Excludes 5/8" [15] - 3/4" [19] glass, which uses standard gaskets.)**

2.4B.2 Reassemble patch fitting and fasteners.

**NOTE: Keep fasteners loose.**

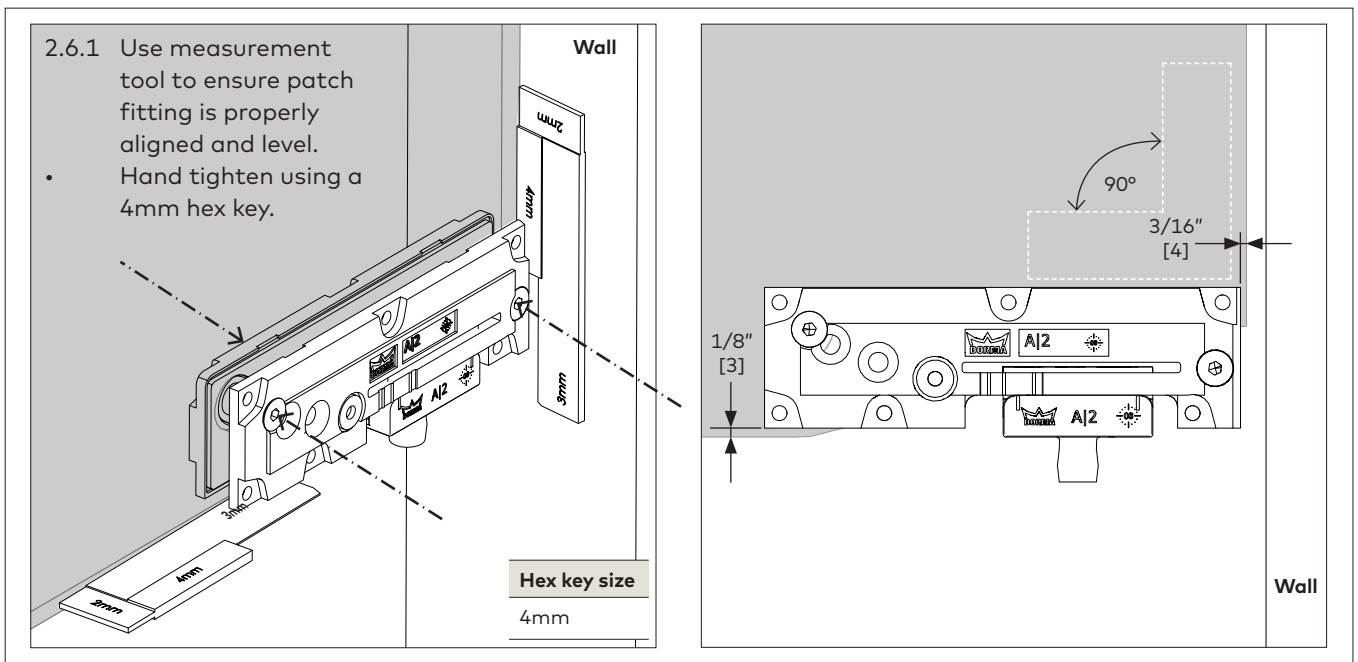
## 2.5 Install glass and remaining fitting parts

Fig. 7



## 2.6 Secure and set fitting location

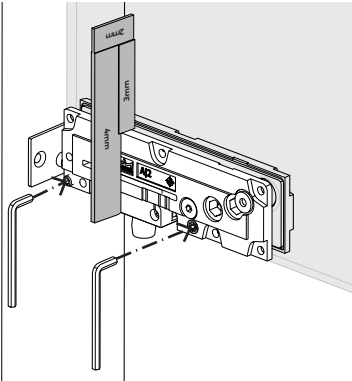
Fig. 8

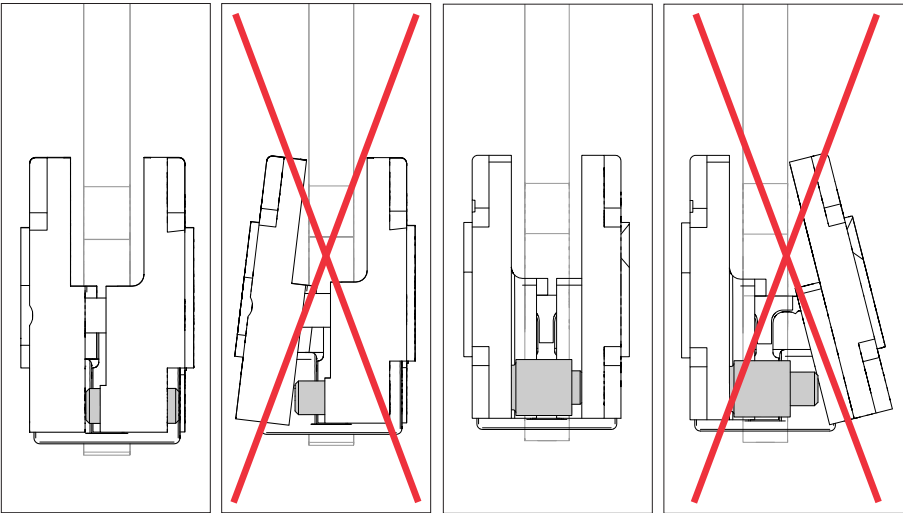


## 2.7 Plumb and level the fittings

Fig. 9

**Hex key size**  
3mm



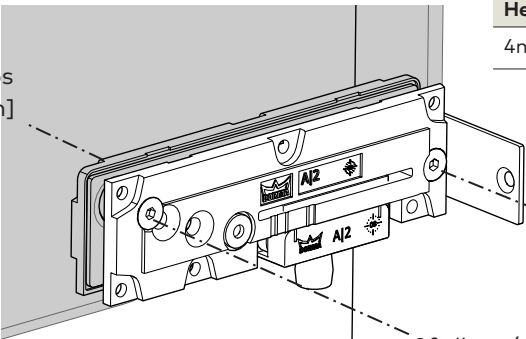


**NOTE: Only tighten until screw makes contact with plate.**

2.7.1 Use tool to ensure patch fitting is parallel with glass surface.

2.7.2 Lightly tighten fasteners.

- Use a 3mm hex key.



Hex key size	Legend (torque values)
4mm	monolithic glass/TLG

9ft lbs / 7.4ft lbs [12Nm] / [10Nm]

9ft lbs / 7.4ft lbs [12Nm] / [10Nm]

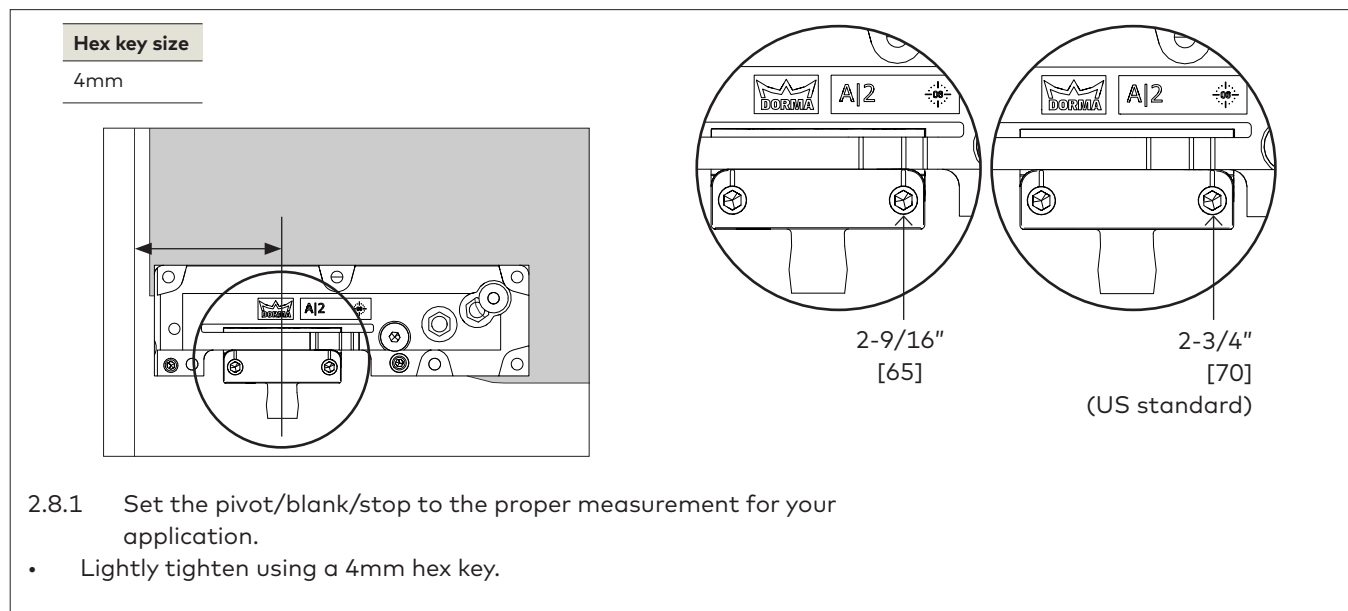
9ft lbs / 7.4ft lbs [12Nm] / [10Nm]

2.7.3 Fully tighten fasteners.

- Use a 4mm hex key and torque wrench at the listed torque value.

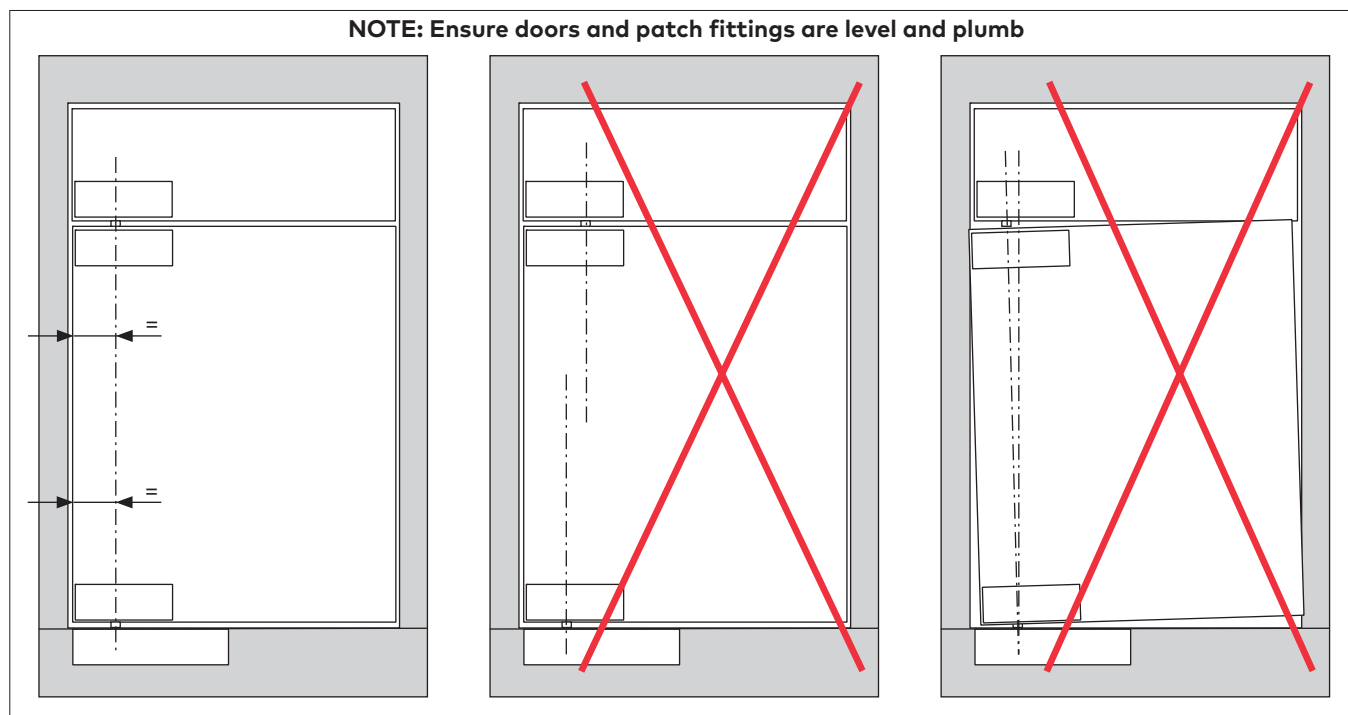
## 2.8 Setting the pivot/blank/stop

Fig. 10



## 2.9 Door alignment

Fig. 11



## 2.10 Door adjustments

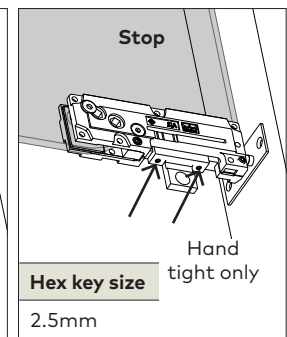
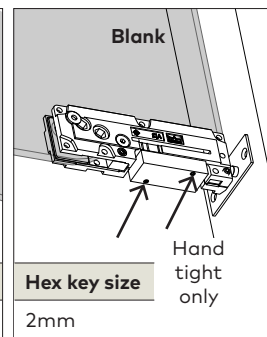
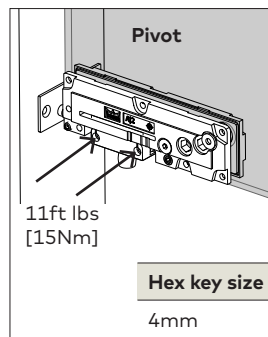
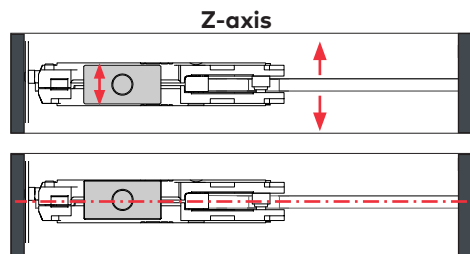
Fig. 12

**NOTE: If required, adjust the Z-axis.**

2.10.1 Loosen screws to adjust.

2.10.2 Then fully tighten.

- Torque if required.  
(See images below.)



### PT30 Comfort

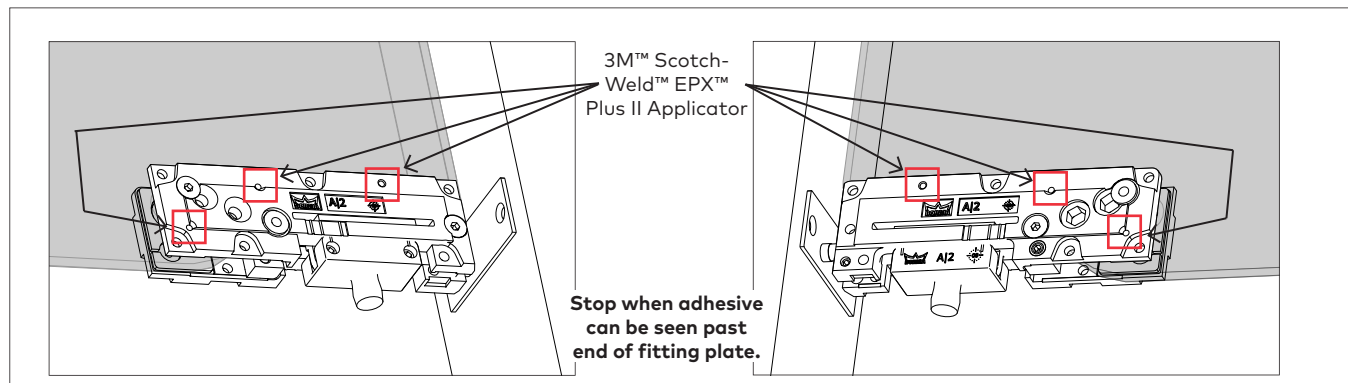
Glass thickness	Tolerance
3/8" [10]	± 1/16" [2]
1/2" [12]	± 1/8" [3]

### PT30 Premium

Glass thickness	Tolerance	Glass thickness	Tolerance
1/2" [12]	± 1/8" [3]	3/4" [19]	± 1/8" [3]
1/2" [12]	± 1/16" [1]	13/16" [20.5]	± 1/16" [1.5]
5/8" [16]	±0" [.5]	7/8" [22]	± 1/8" [3]

## 2.11 Apply adhesive: (For TLG applications, and glass panels over 118" [2997] high or 330lbs [150kg]. Contact dormakaba for more information.)

Fig. 13



**⚠ NOTE: THE RECOMMENDED ADHESIVE'S SET-UP TIME IS 20 MINUTES FOR THE DUO-PAK CARTRIDGES.**

**⚠ NOTE: USE 1:1 RATIO PLUNGER WITH THE 3M™ Scotch-Weld™ Urethane Adhesive.**

**⚠ NOTE: FULLY CLEAN SURFACE OF GLASS WITH AN ALCOHOL-BASED MILD GLASS AND SURFACE CLEANER. ENSURE NO DEBRIS IS ON THE GASKET.**

**NOTE: Onto scrap material, first dispense approximately 12" of 3M™ Scotch-Weld™ Urethane Adhesive prior to application prevent mixing errors and ensure optimal hardening.**

**⚠ DO NOT WIPE** any excess adhesive from glass surface. Allow adhesive to dry and scrape off glass surface with a beveled-edge chisel or putty knife.

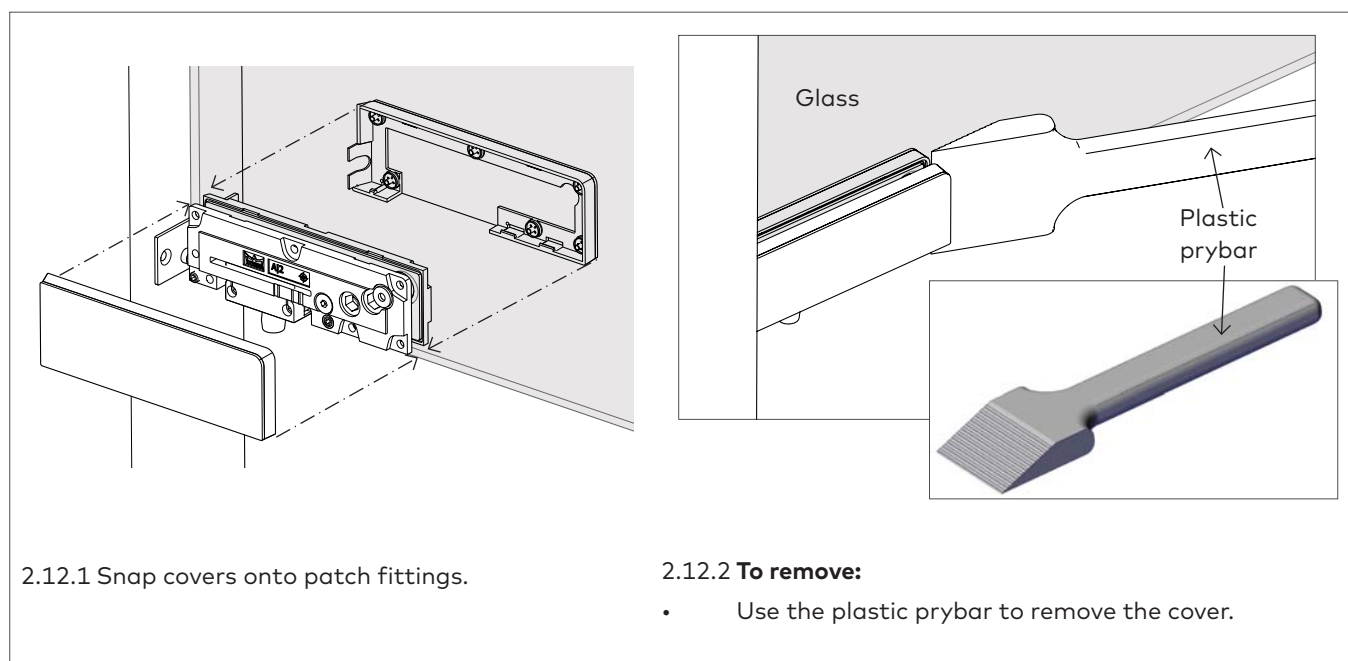
**NOTE: See chart in Specifications section for appropriate curing time.**

2.11.1 Dispense into holes on both sides of fitting.

**⚠** Stop application when adhesive can be seen past edge of fitting.

## 2.12 Install covers

Fig. 14



2.12.1 Snap covers onto patch fittings.

2.12.2 To remove:

- Use the plastic prybar to remove the cover.

