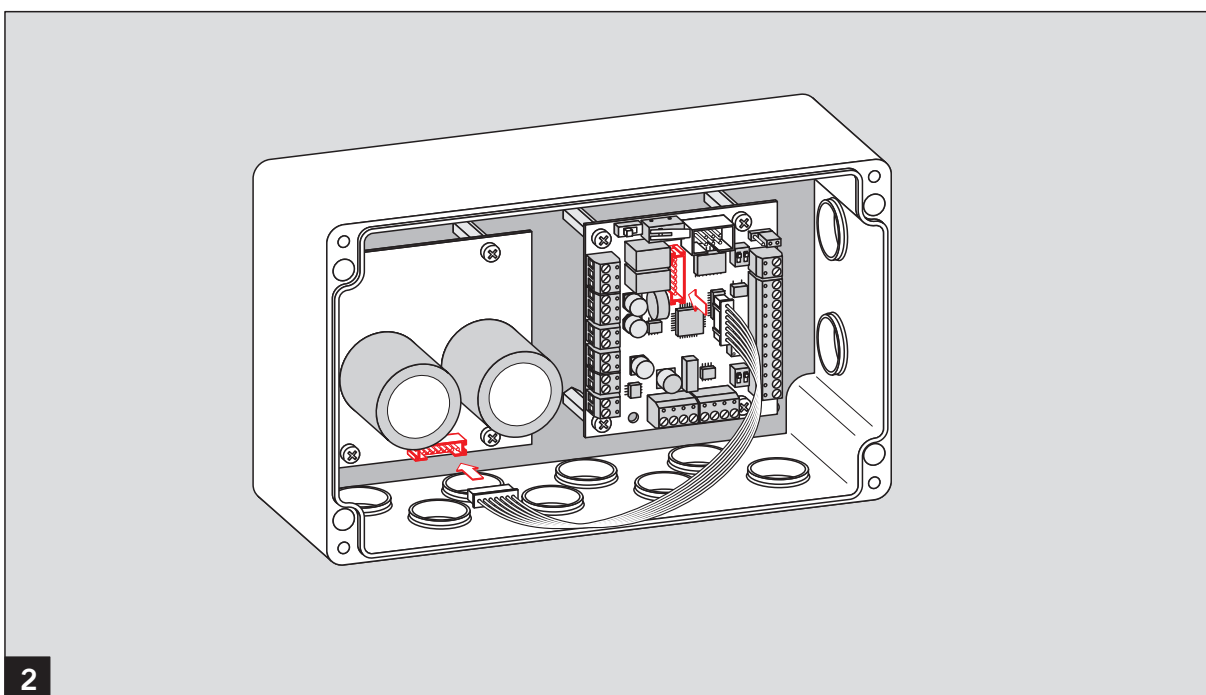
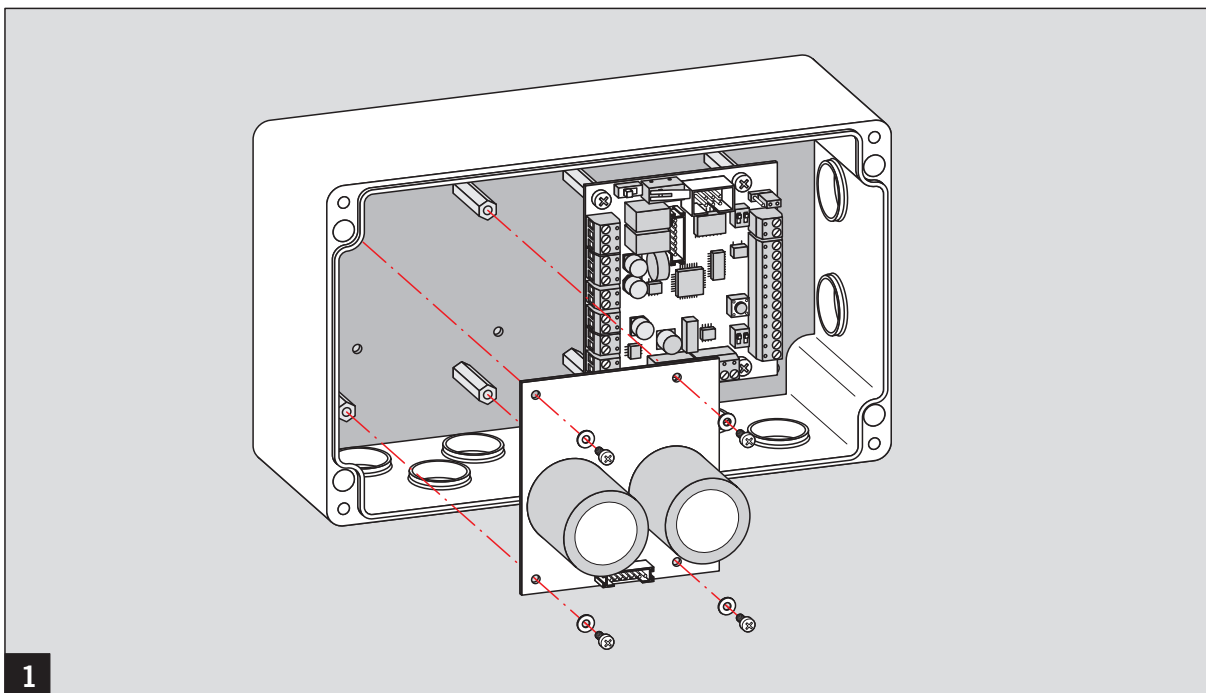
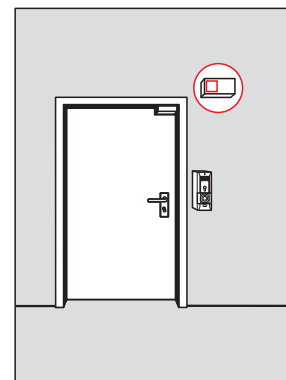
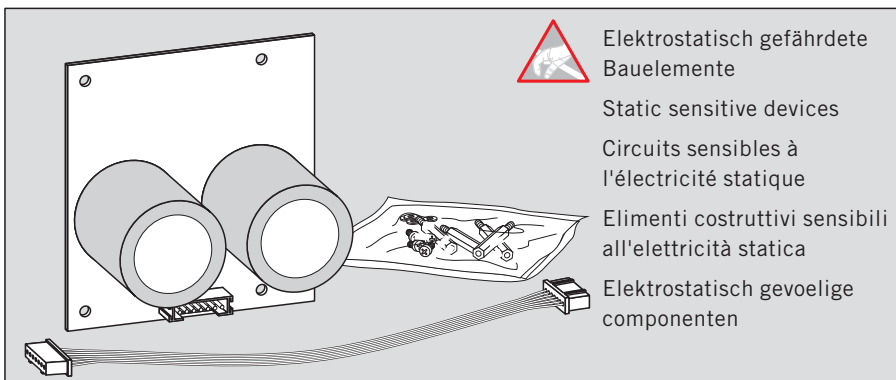
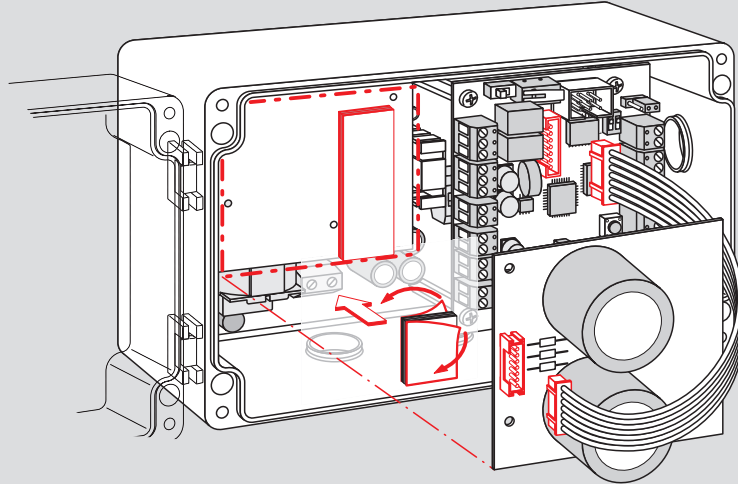


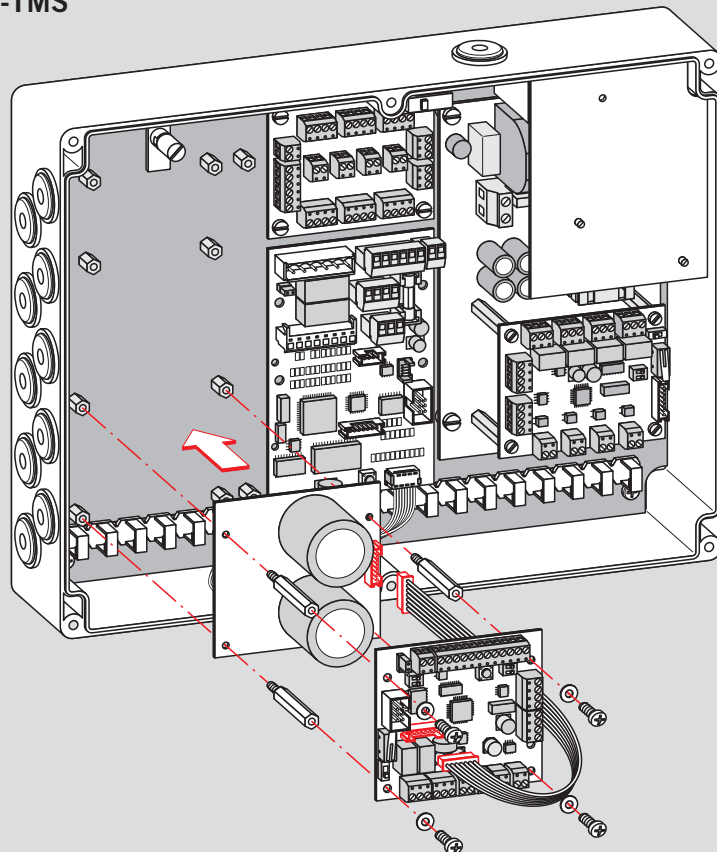
WN 056099 45532
11/11



SVP-PR 12 + SVP-S 24/25



SVP-PR 12 + RZ-TMS



Anderungen vorbehalten
Subject to change without notice