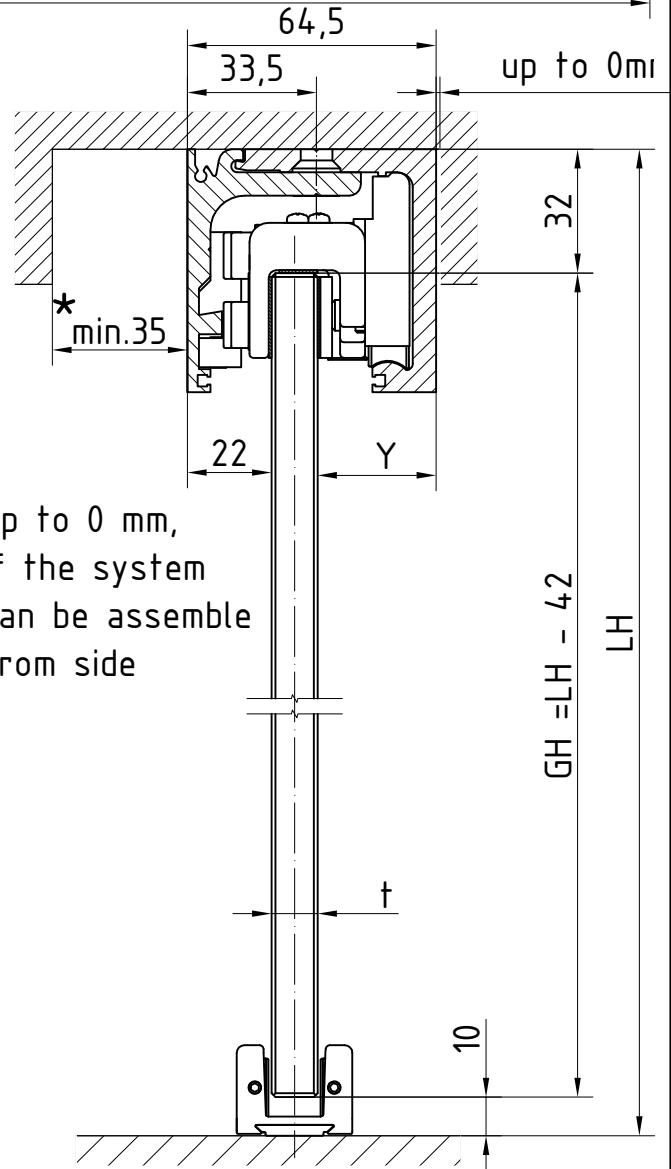
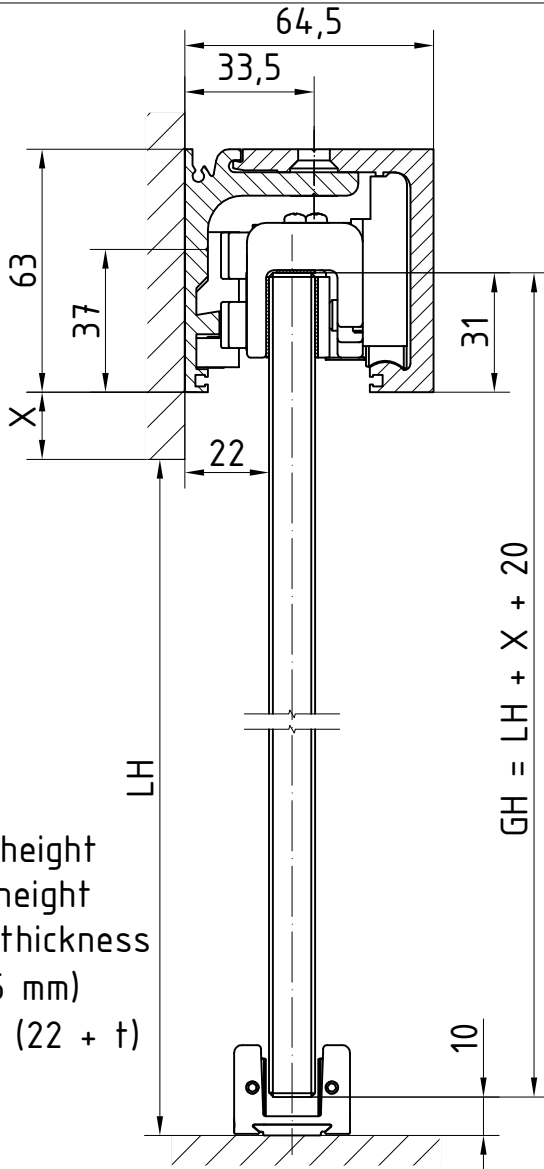
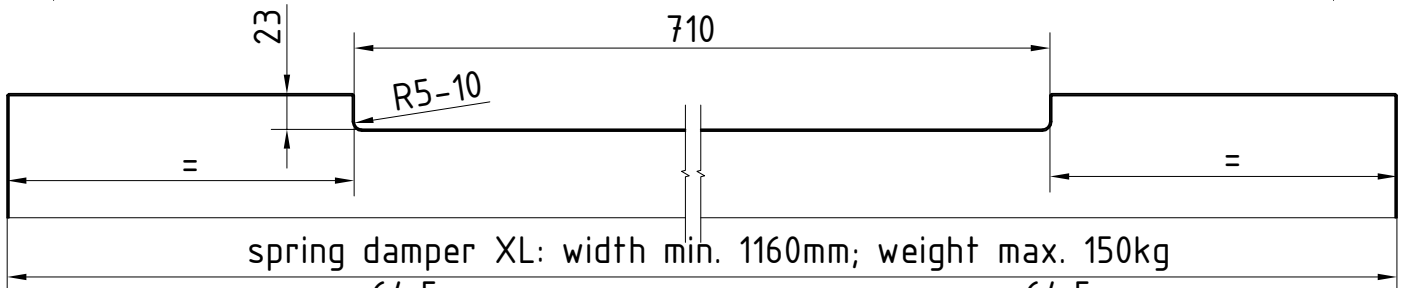
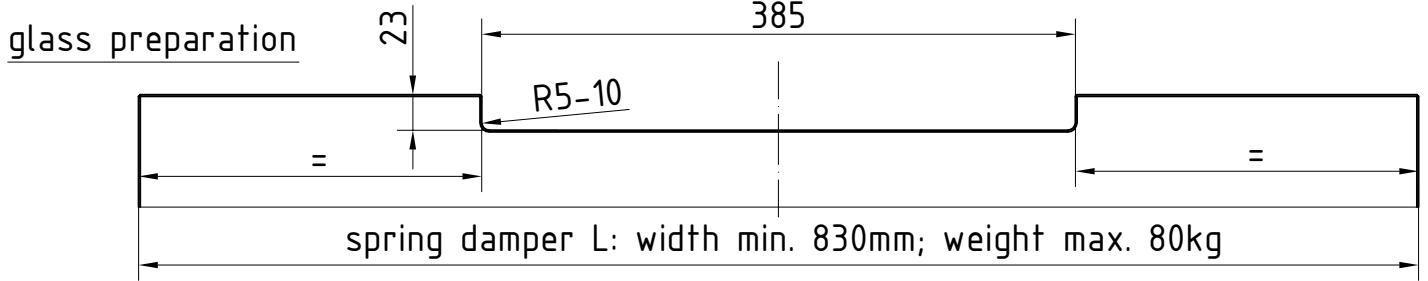
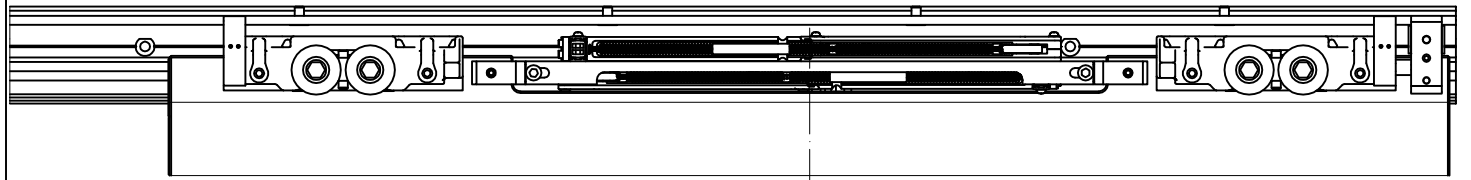


AGILE 150 DORMOTION



GH = glass height
 LH = clear height
 t = glass thickness
 (8-13,5 mm)
 $Y = 64,5 - (22 + t)$

1:20

11.09/004258

07-105A