

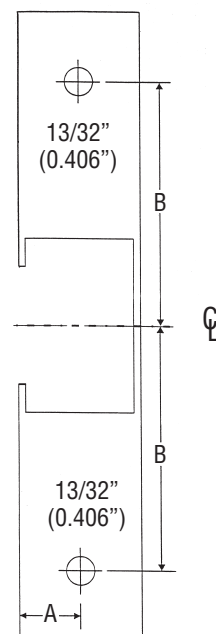
# ES61 - DOOR PAIR HOUSING

## Electric Strikes

### Instructions

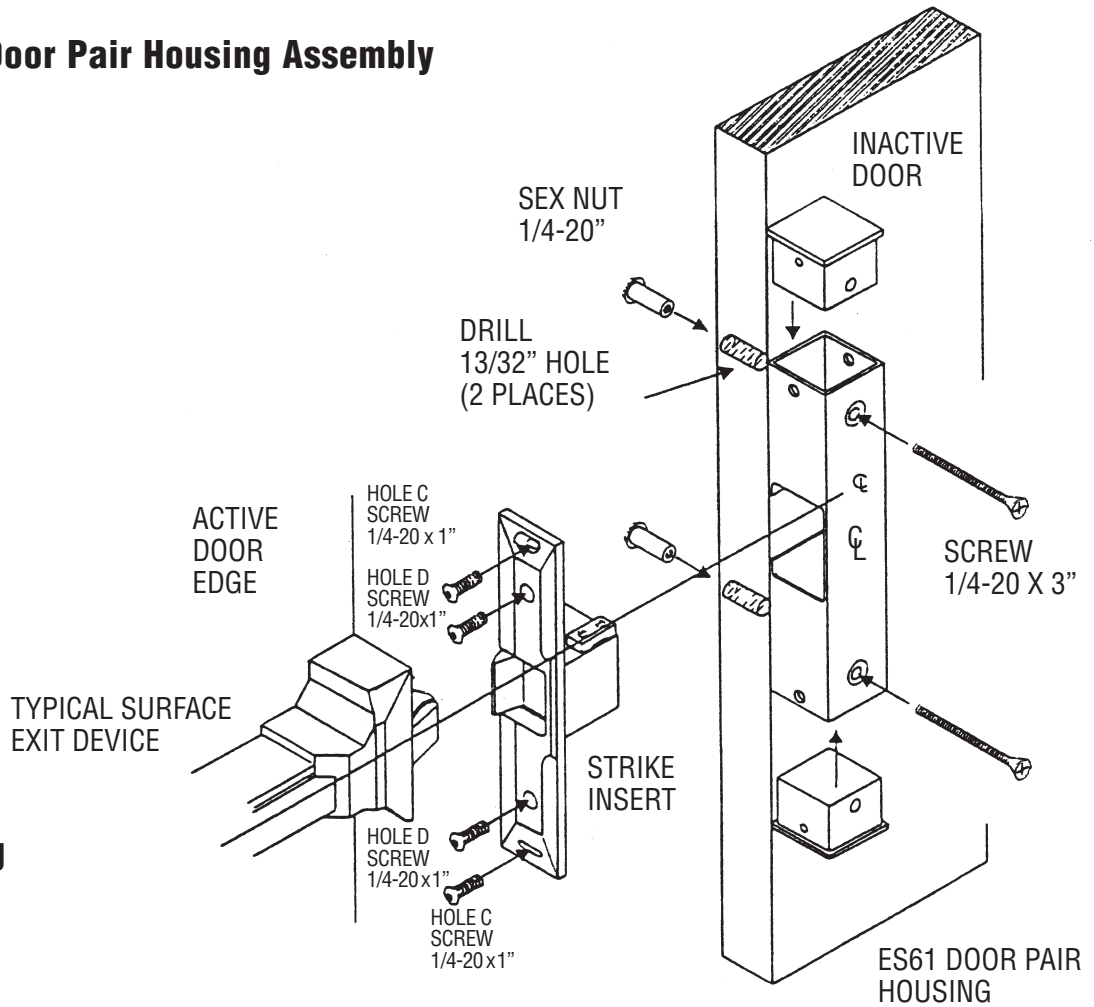
- 1) Mark center line (CL) of existing device latch from active door to inactive door.
- 2) Mark the mounting holes for the Door Pair Housing (**DPH**) on the inactive door.
- 3) Drill two 13/32" (0.406") holes through inactive door.
- 4) Drill wire access hole into desired area of **DPH**. Pull two (2) wires through the access hole and connect to strike. (Polarity is not observed)
- 5) Temporarily mount **ES61** strike to **DPH** through the slotted holes (Hole C) using 1" button head socket cap screws. (BHSCS)
- 6) Mount **DPH** to inactive door using the two (2) 1/4-20x3" screws and 1/4-20" Sex Nuts supplied.
- 7) Adjust electric strike insert horizontally (If necessary), until Pullman Latch engages when door is closed. (See Fig. 2 on **ES61 installation instructions** if further horizontal insert adjustment is necessary)
- 8) Mark, drill and tap Hole D for 1/4-20x1" BHSCS provided to secure the final location.

MEASUREMENT	FRACTIONAL INCHES	DECIMAL INCHES	METRIC (mm)
A	7/8	.875	22.22
B	3-1/2	3.500	88.90

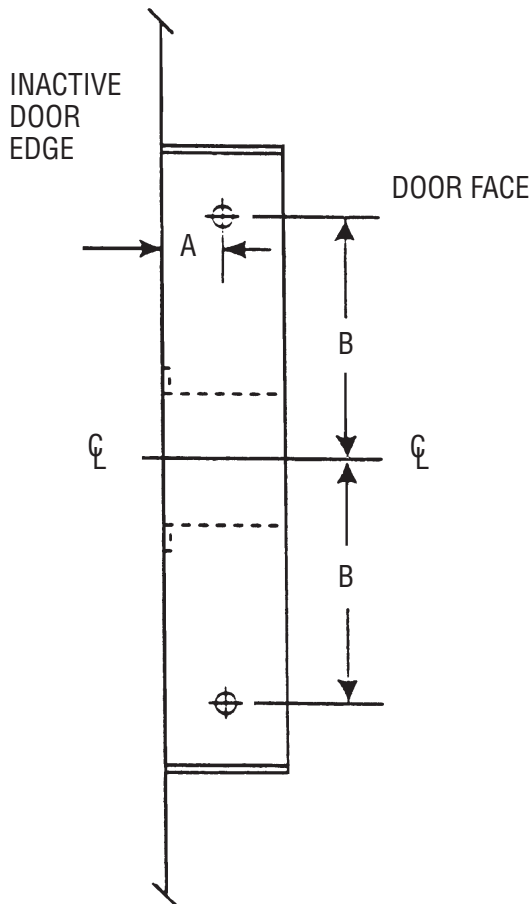


# ES61 Door Pair Housing Installation Instructions (con't)

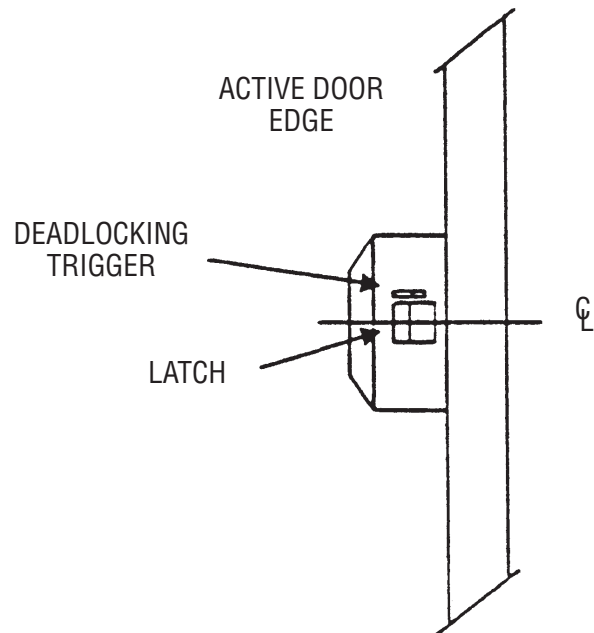
## Typical Door Pair Housing Assembly



## Door Pair Housing



## Typical Surface Exit Device



**NOTE:** Not to scale. Specifications are subject to change without notice.