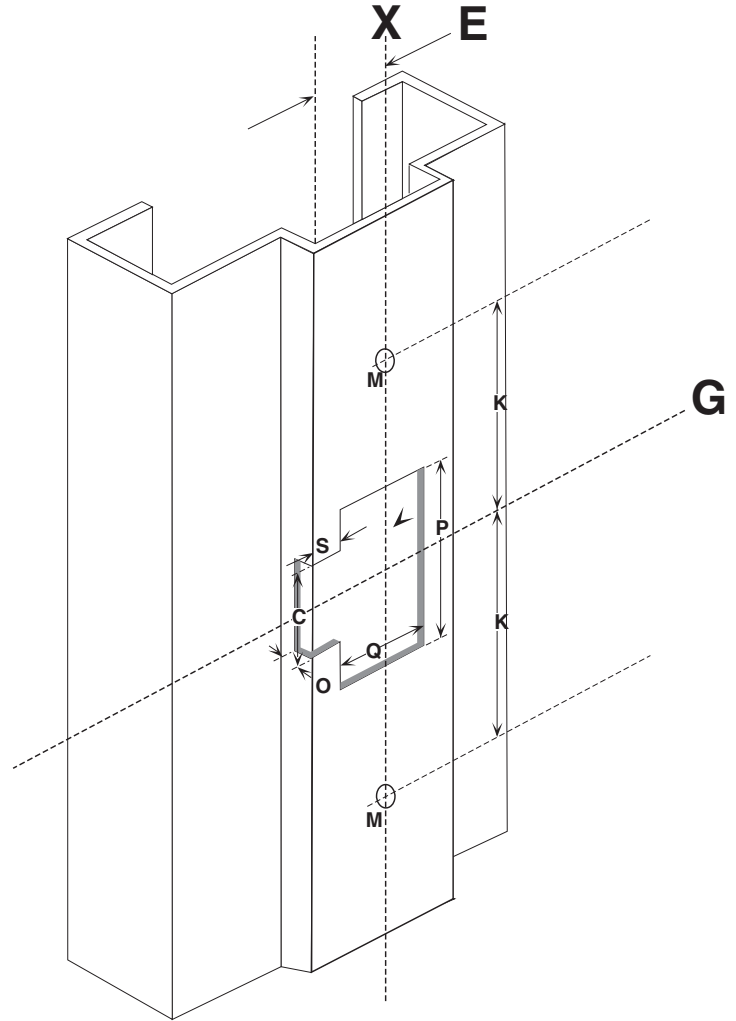


ES61 Electric Strike Installation Instructions (Continued)

Template For ES61 Strike

MODEL # ES61

| MEASUREMENT | FRACTIONAL INCHES | DECIMAL INCHES | METRIC mm |
|-------------|---|----------------|-----------|
| C | 1-5/8" | 1.625 | 41.3 |
| G | Horizontal center line of Pullman latch | | |
| K | 4-1/8" | 4.125 | 105 |
| M | 1/4 - 20 Tap | | |
| O | 5/16" | .312 | 8 |
| P | 2-1/2" | 2.5 | 63 |
| Q | 1-3/8" | 1.375 | 35 |
| X | Vertical center line of ES61 | | |
| E | Distance from door to vertical centerline 'X' | | |



| For these Devices: | E = |
|---|----------|
| For DORMA rim exit device models 9300, F9300, 9700, F9700 | 1-5/16" |
| For other device manufacturers | R + 3/4" |

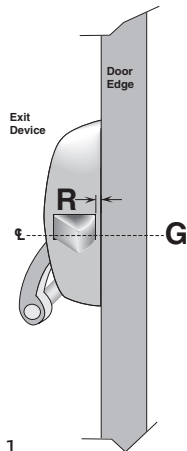
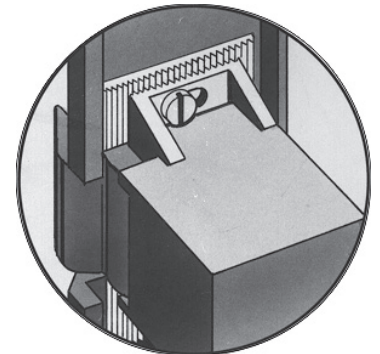


Fig.1

Future alignment problems can be corrected by loosening the two insert screws and moving the insert horizontally across the furrows.

Original preparation is not disturbed. (Fig.2).



**NOTE: DO NOT SCALE SPECIFICATIONS
SUBJECT TO CHANGE WITHOUT NOTICE.**