

INSTALLATION



ES74F

Electric Strikes

INSTRUCTIONS

- To determine if the Strike Shim positions need adjustment, measure dimension "R" (see Figure 1) from the center to the edge of the latch. When necessary rearrange Strike Shims according to the chart below. The "shipped as default" positions are illustrated in Figure 2.

Shim Placement Chart

Note: Shims consist of two thin and one thick. Install with the indicated hardware per the appropriate measurement R range.

Measurement "R"	"S1" Shims	"S1" Screws	"S2" Shims	"S2" Screws
5/16" (8.2mm) or Less	None	M4 x 10mm	1 thick, 2 thin	M4 x 10mm
5/16" - 3/8", (8.2 - 9.7mm)	1 thin	M4 x 10mm	1 thick, 1 thin	M4 x 10mm
3/8" - 7/16", (9.7 - 10.7mm)	1 thick	M4 x 10mm	2 thin	M4 x 10mm
7/16" - 1/2", (10.7 - 12.2mm)	1 thick, 1 thin	M4 x 14mm	1 thin	M4 x 10mm
1/2" - 9/16" (12.2 - 13.7mm)	1 thick, 2 thin	M4 x 14mm	none	none

Shipped as Default

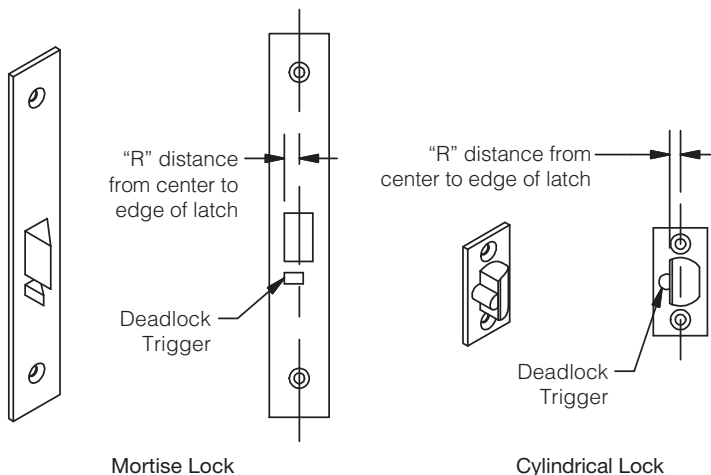


Figure #1

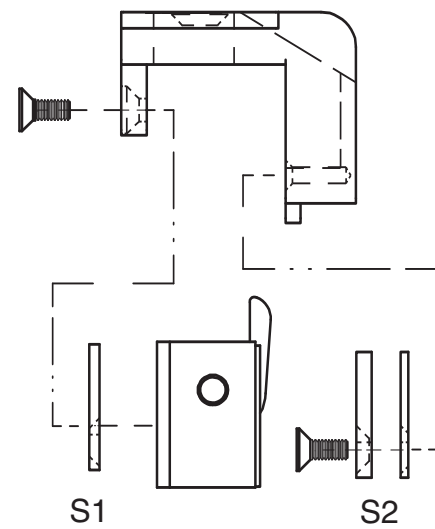


Figure #2

When installing an electric strike on an inactive door of a set of double doors, it can be treated the same as a frame installation in most situations. For more information contact the Technical Services Department.

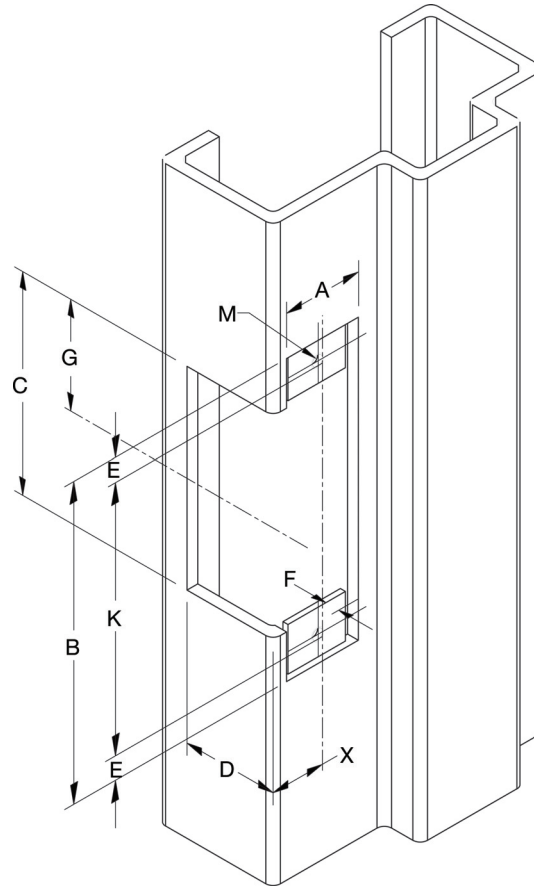
ES74F Installation Instructions (con't)

INSTRUCTIONS Cont'd.

- Determine the horizontal centerline.
FOR MORTISE LOCKS: Position the strike against the edge of the door with the deadlock trigger fully on the strike's angled ramp and the latch within the strike cavity. Move door close to the frame. The horizontal centerline is clearly molded into the strike's pry-guard. Transfer onto door frame.
FOR CYLINDRICAL LOCKS: Simply align the center of the latch with the center of the strike cavity. Move door close to the frame. The horizontal centerline is clearly molded into the strike's pry-guard. Transfer onto door frame.
- Determine the vertical centerline of the door lock face, carefully considering any stops or gasket and transfer onto the door frame.
- Use the vertical and horizontal centerlines marked on the drawing below to prepare the door frame for cutting.
- If required, install the optional "no weld" mounting brackets as per the instructions included with the mounting brackets in the hardware pack.
- Connect the incoming wiring from the power supply to the terminal screws on the strike insert. DORMA door strikes are not polarity sensitive although be certain to observe proper polarity if a suppression diode is required for access control applications.
- Install the door strike in the door frame using the screws provided.
- See Insert Tips on page 3 of installation instructions.

ES74F

MEASUREMENT	FRACTIONAL INCHES	DECIMAL INCHES	METRIC mm
A	1-1/4"	1.25	31.8
B	4-7/8"	4.87	123.8
C	3-3/8"	3.38	85.7
D	1-1/2"	1.50	38.1
E	3/8"	0.38	9.5
F	1/8"	0.13	3.2
G	1-11/16"	1.69	42.9
X	Vertical Centerline of Door Lock and Mounting Face Plate		
K	4-1/8"	4.13	104.8
M	12-24	N/A	N/A



NOTE: Specifications subject to change without notice.

* **Dimension F** is measured from face of mounting tab to face of frame.

ES74F Installation Instructions (con't)

Installation Sequence Tips

These photos show three simple steps to a quick and easy strike insertion.



Frame Preparation:
Should the frame not be cut out for the ES74F, follow the directions provided on page 2.



Initial Position:
Place the strike as shown with the mounting tab located between the face plate and the insert.



Strike Position:
Rotate the strike into the frame. Note that the strike is angled slightly forward to clear the Pry-Guard.



Final Push:
Push the strike into the frame. The pry-guard should be behind the front lip of the frame.



Ready to Secure:
The strike is now in position ready to be secured by the two (2) 12-24 mounting screws.