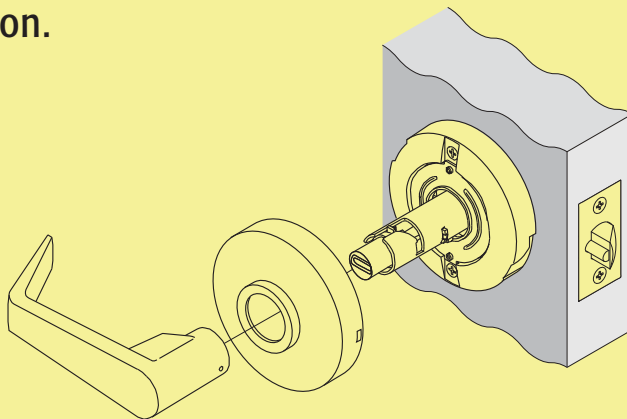


NOTE:

The Storeroom chassis has a push-button in the spindle.
The Inside Lever (no button hole) retains the button in
the locked position.



76011255
2009 Rev. 09/00
Y65-005C012