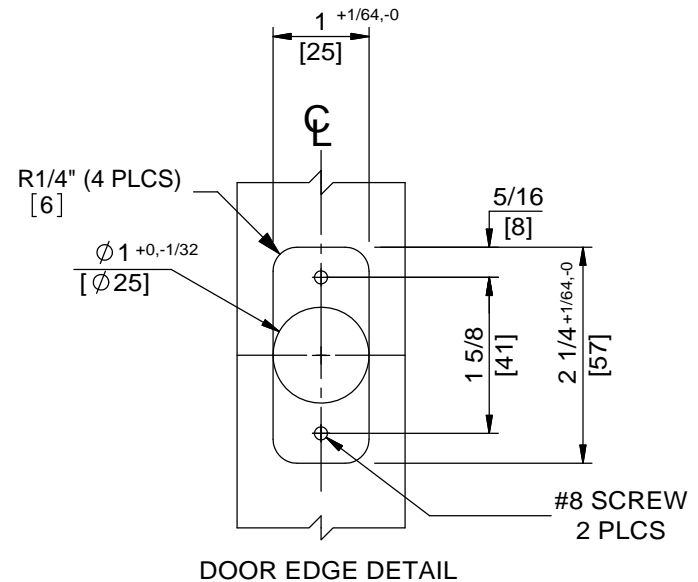
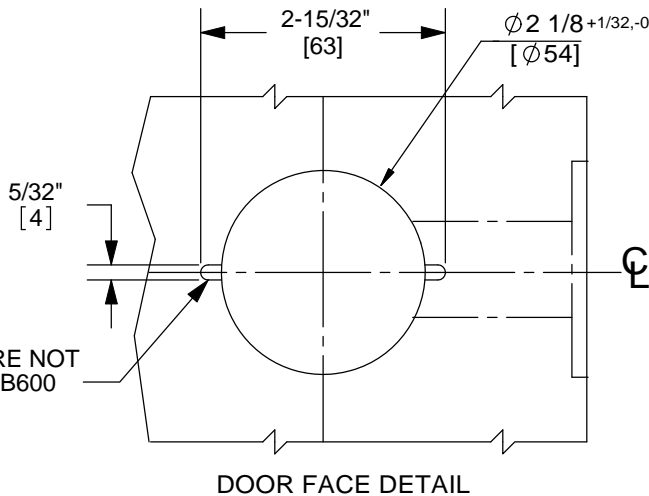
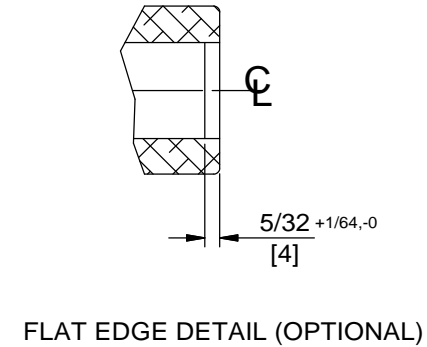
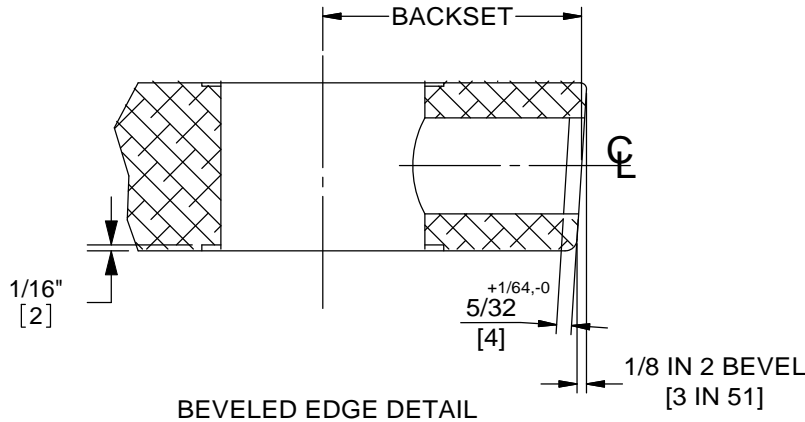


NOTES:

1. DIMENSIONS ARE IN INCHES/ [MM]
2. DO NOT SCALE DRAWING.



Wood Doors For:
 C400, DB600, CL600, CK600, CK700 Series
 Face Plate 1" Flat or Beveled
 With 1/4" Radius Corners



DORMA Architectural Hardware
 Reamstown, PA 17567