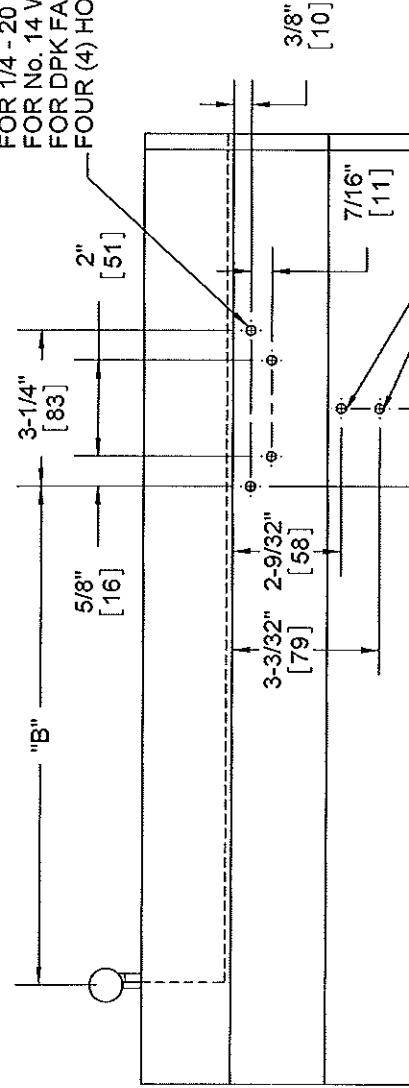


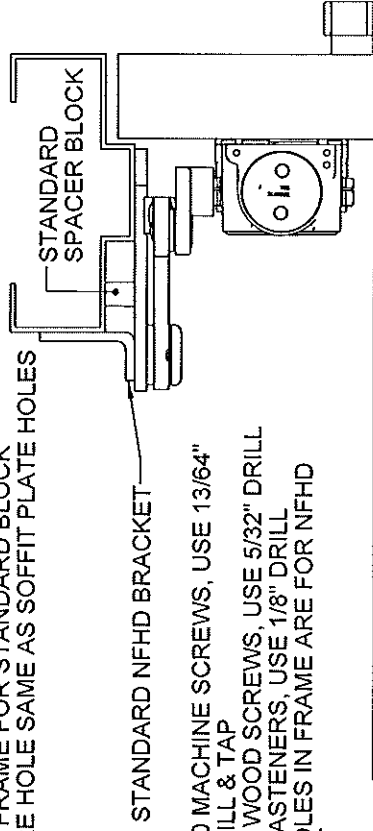
FOR 1/4 - 20 MACHINE SCREWS, USE 13/64" OR #7 DRILL & TAP
 FOR No. 14 WOOD SCREWS, USE 5/32" DRILL
 FOR DPK FASTENERS, USE 1/8" DRILL
 FOUR (4) HOLES IN FRAME ARE FOR SOFFIT PLATE

NOTES:

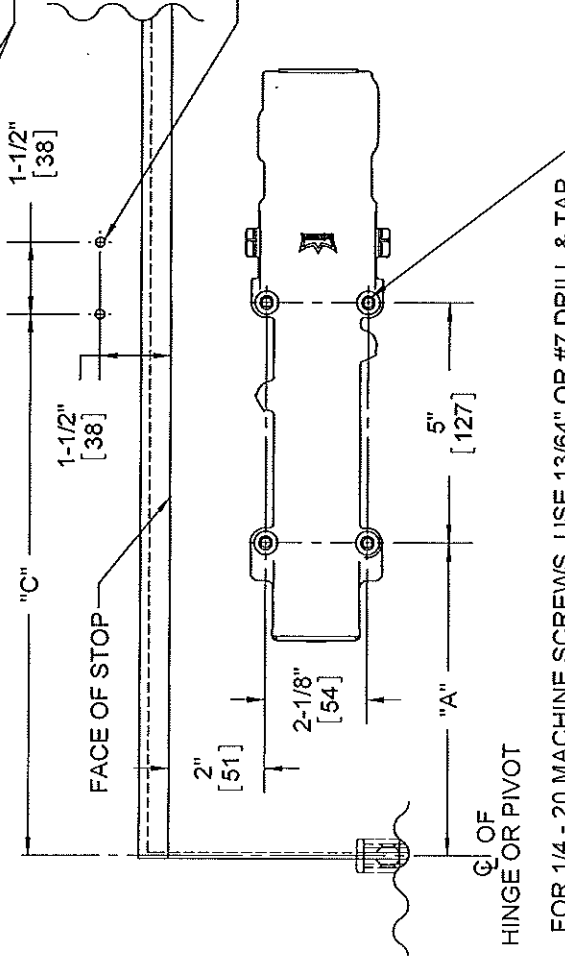
- 1) DO NOT SCALE THIS DRAWING
- 2) DIMENSIONS ARE IN INCHES/[MM]
- 3) LEFT HAND DOOR IS SHOWN
- 4) CAUTION: SEX NUTS ARE REQUIRED FOR ATTACHMENT OF COMPONENTS TO UNREINFORCED DOOR AND TO WOOD OR PLASTIC FACED COMPOSITE TYPE FIRE DOORS, UNLESS AN ALTERNATIVE METHOD IS IDENTIFIED IN THE INDIVIDUAL DOOR MANUFACTURER'S LISTINGS.
- 5) MINIMUM DOOR WIDTH IS 26"
- 6) OPTIONAL DPK FASTENERS (DPK89) FOR STEEL DOOR & FRAME ONLY



***IMPORTANT:** CHOOSE APPROPRIATE FIFTH HOLE LOCATION FOR SPACER BLOCK, IN ACCORDANCE WITH FRAME WIDTH, ONE (1) HOLE IN FRAME FOR STANDARD BLOCK PREPARE HOLE SAME AS SOFFIT PLATE HOLES



FOR 1/4 - 20 MACHINE SCREWS, USE 13/64" OR #7 DRILL & TAP
 FOR No. 14 WOOD SCREWS, USE 5/32" DRILL
 FOR DPK FASTENERS, USE 1/8" DRILL
 TWO (2) HOLES IN FRAME ARE FOR NFHD BRACKET



FOR 1/4 - 20 MACHINE SCREWS, USE 13/64" OR #7 DRILL & TAP
 FOR No. 14 WOOD SCREWS, USE 5/32" DRILL
 FOR DPK FASTENERS, USE 1/8" DRILL
 FOR SEX NUTS, USE 3/8" DRILL
 FOUR (4) HOLES IN DOOR ARE FOR CLOSER (SHOWN)

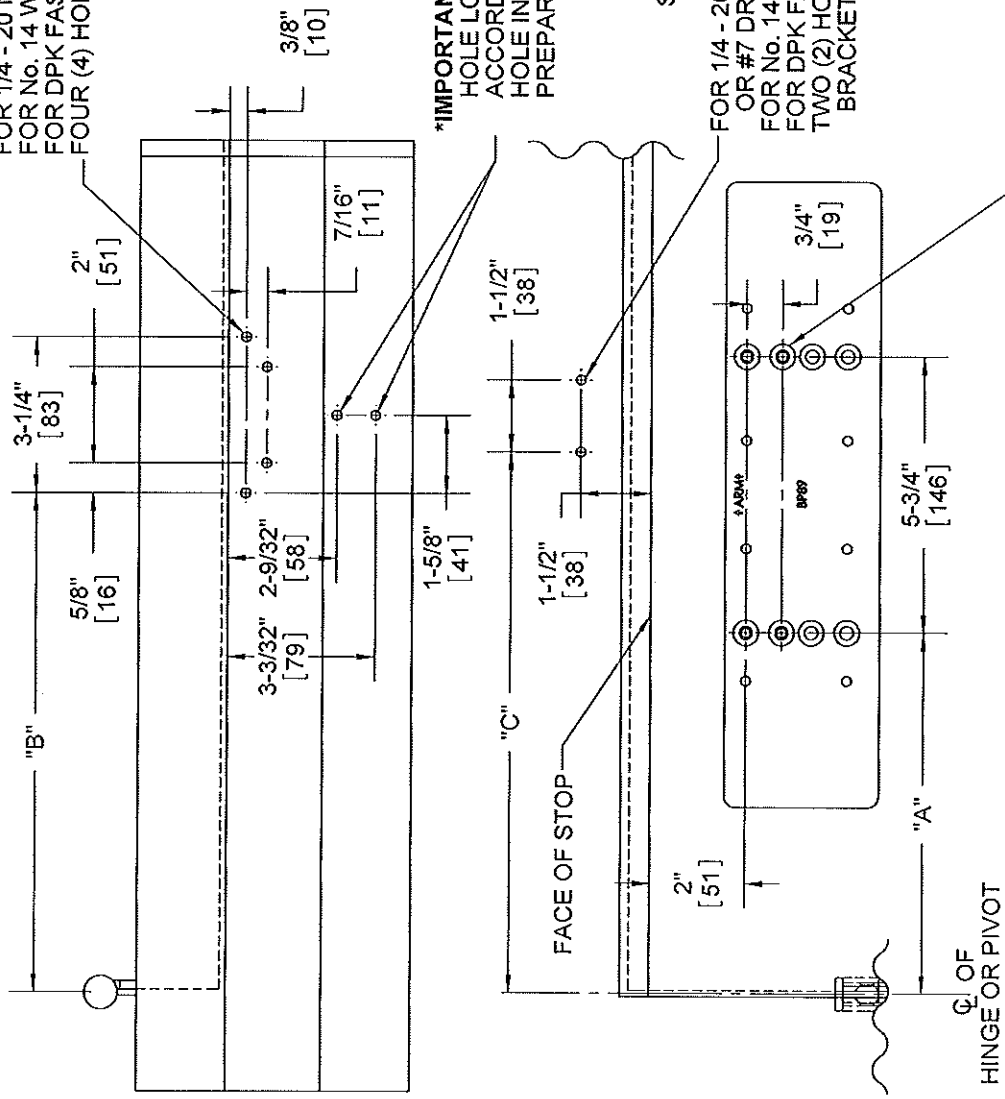
ANGLE OF CUSHION	DIM. "A" CLOSER	DIM. "B" SOFFIT PLATE	DIM. "C" NFHD BRACKET
75° - 85°	7-1/4" [184]	11-1/8" [283]	12" [305]
80° - 90°	6-1/2" [165]	10-3/8" [264]	11-1/8" [283]
90° - 100°	5-1/8" [130]	9" [229]	9-7/8" [251]
100° - 110°	4" [102]	7-7/8" [200]	8-3/4" [222]

DOOR CLOSER MODELS: 8916 & 8956 SDS
 SPRING DOOR SAVER (PARALLEL ARM INSTALLATION)
 FOR USE WITH STANDARD SPACER BLOCK
 FOR USE WITH STANDARD NFHD BRACKET



DORMA Architectural Hardware
 Reamstown, PA 17567

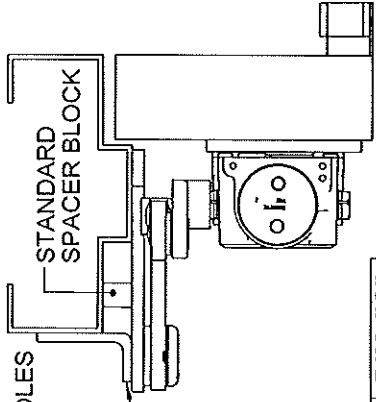
FOR 1/4 - 20 MACHINE SCREWS, USE 13/64" OR #7 DRILL & TAP
 FOR NO. 14 WOOD SCREWS, USE 5/32" DRILL
 FOR DPK FASTENERS, USE 1/8" DRILL
 FOUR (4) HOLES IN FRAME ARE FOR SOFFIT PLATE



NOTES:

- 1) DO NOT SCALE THIS DRAWING
- 2) DIMENSIONS ARE IN INCHES/[MM]
- 3) LEFT HAND DOOR IS SHOWN
- 4) CAUTION: SEX NUTS ARE REQUIRED FOR ATTACHMENT OF COMPONENTS TO UNREINFORCED DOOR AND TO WOOD OR PLASTIC FACED COMPOSITE TYPE FIRE DOORS, UNLESS AN ALTERNATIVE METHOD IS IDENTIFIED IN THE INDIVIDUAL DOOR MANUFACTURER'S LISTINGS.
- 5) MINIMUM DOOR WIDTH IS 26"
- 6) OPTIONAL DPK FASTENERS (DPK89) FOR STEEL DOOR & FRAME ONLY

***IMPORTANT:** CHOOSE APPROPRIATE FIFTH HOLE LOCATION FOR SPACER BLOCK, IN ACCORDANCE WITH FRAME WIDTH. ONE (1) HOLE IN FRAME FOR STANDARD BLOCK PREPARE HOLE SAME AS SOFFIT PLATE HOLES



FOR 1/4 - 20 MACHINE SCREWS, USE 13/64" OR #7 DRILL & TAP
 FOR NO. 14 WOOD SCREWS, USE 5/32" DRILL
 FOR DPK FASTENERS, USE 1/8" DRILL
 TWO (2) HOLES IN FRAME ARE FOR NFHD BRACKET

ANGLE OF CUSHION	DIM. "A" DROP PLATE	DIM. "B" SOFFIT PLATE	DIM. "C" NFHD BRACKET
75° - 85°	8-1/4" [210]	11-1/8" [283]	12" [305]
80° - 90°	7-1/2" [191]	10-3/8" [264]	11-1/8" [283]
90° - 100°	6-1/8" [156]	9" [229]	9-7/8" [251]
100° - 110°	5" [127]	7-7/8" [200]	8-3/4" [222]

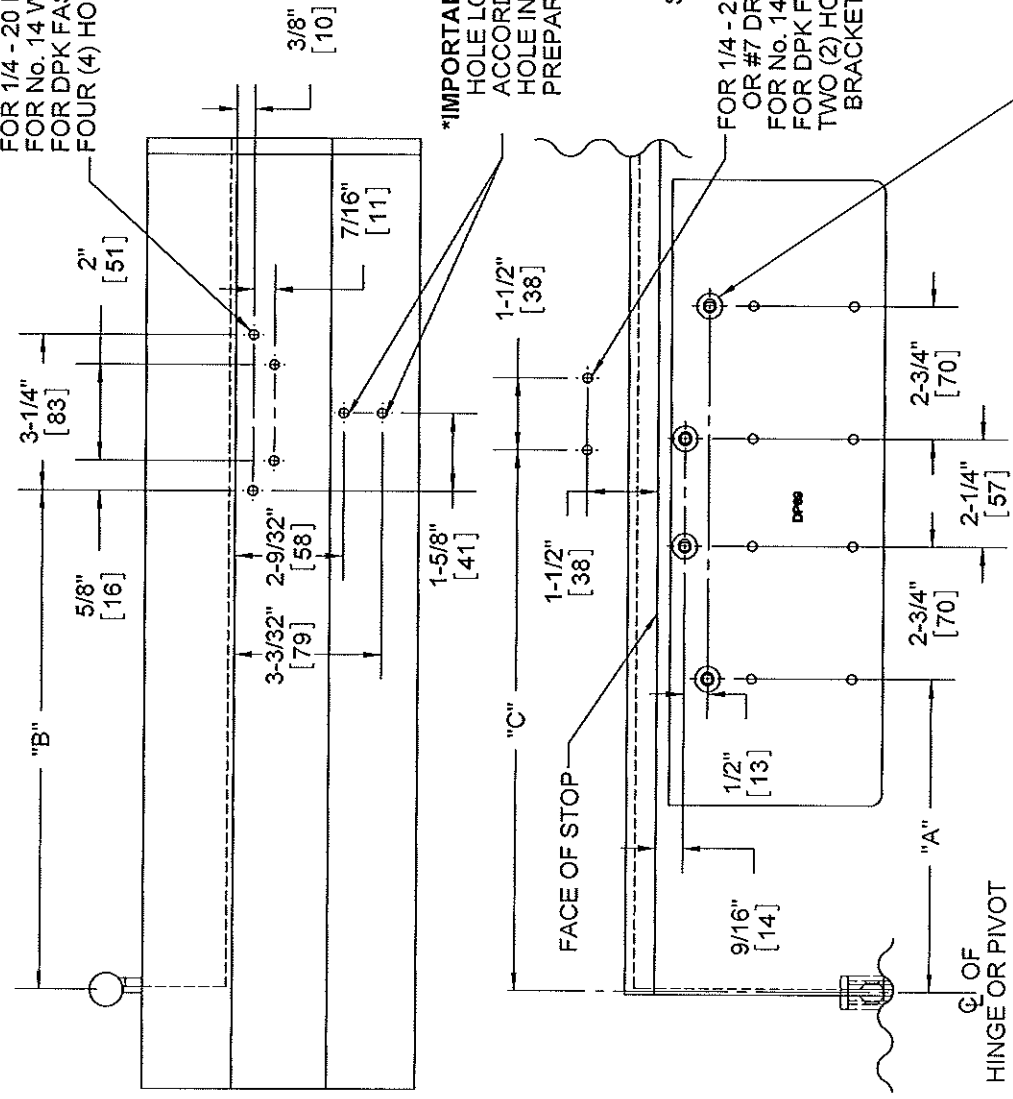
FOR 1/4 - 20 MACHINE SCREWS, USE 13/64" OR #7 DRILL & TAP
 FOR NO. 14 WOOD SCREWS, USE 5/32" DRILL
 FOR DPK FASTENERS, USE 1/8" DRILL
 FOR SEX NUTS, USE 3/8" DRILL
 FOUR (4) HOLES IN DOOR ARE FOR DROP PLATE (SHOWN)

DOOR CLOSER MODELS: 8916 & 8956 SDS
 SPRING DOOR SAVER (PARALLEL ARM INSTALLATION) WITH BACK PLATE BP89
 FOR USE WITH STANDARD SPACER BLOCK
 FOR USE WITH STANDARD NFHD BRACKET



DORMA Architectural Hardware
 Reamstown, PA 17567

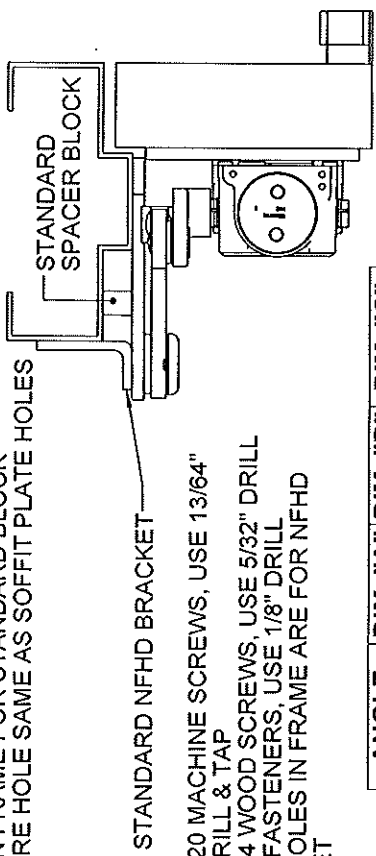
FOR 1/4 - 20 MACHINE SCREWS, USE 13/64" OR #7 DRILL & TAP
 FOR NO. 14 WOOD SCREWS, USE 5/32" DRILL
 FOR DPK FASTENERS, USE 1/8" DRILL
 FOUR (4) HOLES IN FRAME ARE FOR SOFFIT PLATE



NOTES:

- 1) DO NOT SCALE THIS DRAWING
- 2) DIMENSIONS ARE IN INCHES/[MM]
- 3) LEFT HAND DOOR IS SHOWN
- 4) CAUTION: SEX NUTS ARE REQUIRED FOR ATTACHMENT OF COMPONENTS TO UNREINFORCED DOOR AND TO WOOD OR PLASTIC FACED COMPOSITE TYPE FIRE DOORS, UNLESS AN ALTERNATIVE METHOD IS IDENTIFIED IN THE INDIVIDUAL DOOR MANUFACTURER'S LISTINGS.
- 5) MINIMUM DOOR WIDTH IS 26"
- 6) OPTIONAL DPK FASTENERS (DPK89) FOR STEEL DOOR & FRAME ONLY

***IMPORTANT:** CHOOSE APPROPRIATE FIFTH HOLE LOCATION FOR SPACER BLOCK, IN ACCORDANCE WITH FRAME WIDTH. ONE (1) HOLE IN FRAME FOR STANDARD BLOCK PREPARE HOLE SAME AS SOFFIT PLATE HOLES



FOR 1/4 - 20 MACHINE SCREWS, USE 13/64" OR #7 DRILL & TAP
 FOR NO. 14 WOOD SCREWS, USE 5/32" DRILL
 FOR DPK FASTENERS, USE 1/8" DRILL
 TWO (2) HOLES IN FRAME ARE FOR NFHD BRACKET

FOR 1/4 - 20 MACHINE SCREWS, USE 13/64" OR #7 DRILL & TAP
 FOR NO. 14 WOOD SCREWS, USE 5/32" DRILL
 FOR DPK FASTENERS, USE 1/8" DRILL
 FOR SEX NUTS, USE 3/8" DRILL
 FOUR (4) HOLES IN DOOR ARE FOR DROP PLATE (SHOWN)

ANGLE OF CUSHION	DIM. "A" DROP PLATE	DIM. "B" SOFFIT PLATE	DIM. "C" NFHD BRACKET
75° - 85°	7-1/4" [184]	11-1/8" [283]	12" [305]
80° - 90°	6-1/2" [165]	10-3/8" [264]	11-1/8" [283]
90° - 100°	5-1/8" [130]	9" [229]	9-7/8" [251]
100° - 110°	4" [102]	7-7/8" [200]	8-3/4" [222]

DOOR CLOSER MODELS: 8916 & 8956 SDS
 SPRING DOOR SAVER (PARALLEL ARM INSTALLATION) WITH DROP PLATE DP89
 FOR USE WITH STANDARD SPACER BLOCK
 FOR USE WITH STANDARD NFHD BRACKET



DORMA Architectural Hardware
 Reamstown, PA 17567