A close-up photograph of a silver-colored metal door closer component. The component is a rectangular block with a perforated side. A semi-transparent white box is overlaid on the left side of the component, containing the text "TS 92", "TS 91", and a horizontal line. The DORMA logo is embossed on the top surface of the component.

TS 92
TS 91
—

Cam action door closers
in Contur Design

THE UNIVERSAL CLOSERS FOR STANDARD DOORS – TESTED AND APPROVED TO EN 1154

As units designed especially for interior applications, the TS 92 and TS 91 door closers constitute the perfect complement to the DORMA TS 93 cam-action door closer system. They likewise come in the Contur design and, thanks to their linear drive mechanism with heart-shaped cam, they

offer the same ease of use. Moreover, their competitive pricing combined with their outstanding level of assured quality make them particularly attractive from an economic standpoint as well.

Certified to ISO 9001

Plus points

For the trade

- Inexpensive cam-action technology for standard interior doors.
- Low storage costs and reduced inventory requirement thanks to uniform slide channels of the Contur series.

For the fabricator

- Non-handed.
- Easy to fix and quickly adjustable.

For the architect/specifier

- Excellent value for money.
- Uniform appearance throughout the entire Contur slide channel range.

For the user

- Exceptional ease of use and fully controlled closing action.
- Optimum adaptability of the closing speed with reliable latching thanks to two regulating valves.

Data and features		TS 92 B/G ¹⁾	TS 91 B
Closing force	Size	EN 1–4	EN 3
Adjustable		●	–
Standard doors ²⁾	≤ 950 mm	–	●
	≤ 1100 mm	●	–
External doors, outward opening ²⁾		–	–
For fire and smoke check doors		●	●
Non-handed design		●	●
Arm assembly type	Slide channel	●	●
Closing speed and latching action independently adjustable at two separate valves	180°–15°	●	●
Cushioned limit stay, mechanical	15°– 0°	○	○
Backcheck		–	–
Delayed action		–	–
Hold-open		○	○
Weight in kg		2.0	1.9
Dimensions in mm	Length	281	267
	Overall depth	47	47
	Height	65	65
Door closer tested to EN 1154		●	●
CE mark for building products		●	●

● yes – no ○ optional

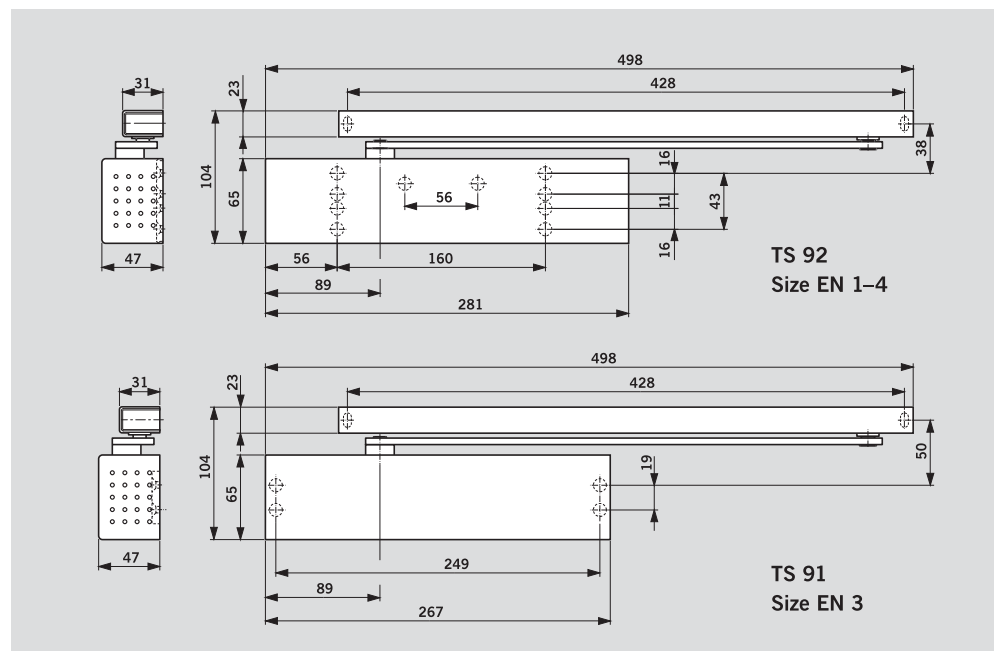
¹⁾ B = Standard model for pull-side door leaf fixing/push-side transom fixing

G = Special model for push-side door leaf fixing/pull-side transom fixing.

²⁾ For particularly heavy doors and doors which have to close against wind resistance, we recommend the DORMA TS 93.



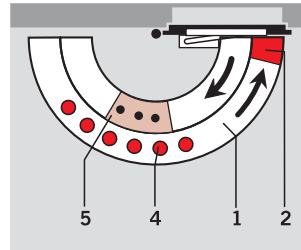
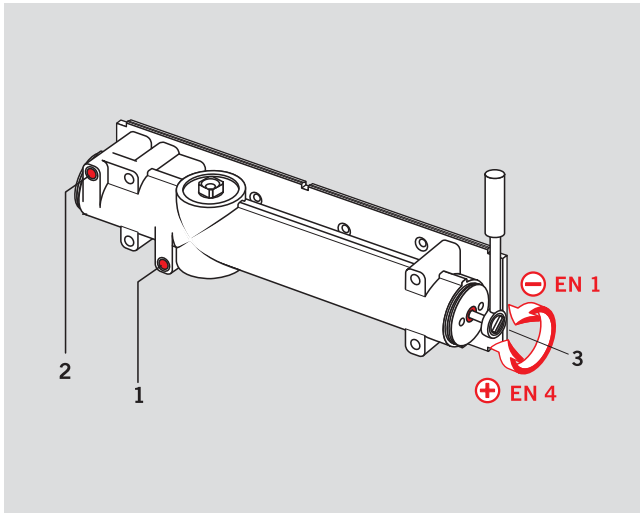
The TS 92/TS 91 complies with the requirements and/or recommendations of the following: CERTIFIRE approved for fire doors ITT 120, MM/IMM 240; Ref. CF 119



reddot design award winner 2005

STANDARD AND OPTIONAL FUNCTIONS

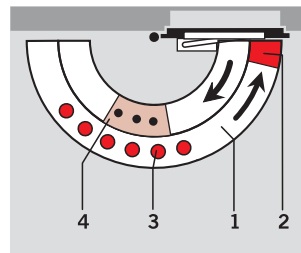
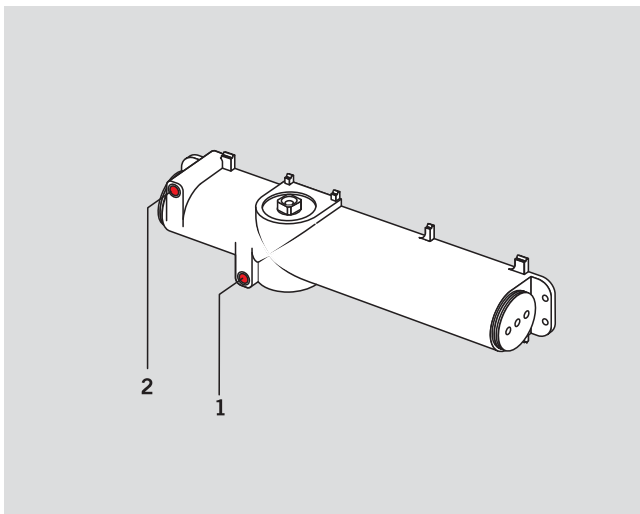
TS 92 B/G



- 1 Variable closing speed in the range 180°–15°
- 2 Variable latching speed in the range 15°–0°
- 3 Infinitely variable closing force
- 4 Hold-open (option)
- 5 Cushioned limit stay (option)

The **closing speed** of the TS 92 is individually adjustable over two independent ranges at two separate valves. The **closing force setting (spring strength)** for the relevant door width is adjusted with the TS 92 at an infinitely variable lateral adjustment screw.

TS 91 B



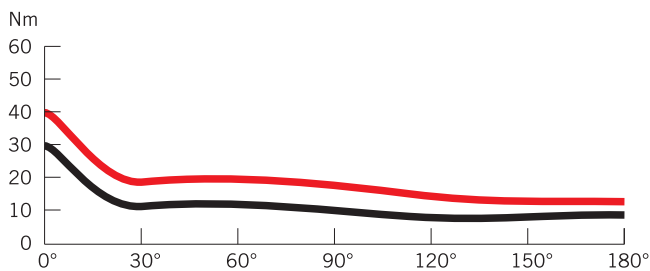
- 1 Infinitely variable closing speed in the range 180°–15°
- 2 Infinitely variable latching speed in the range 15°–0°
- 3 Hold-open (option)
- 4 Cushioned limit stay (option)

The **closing speed** of the TS 91 is individually adjustable over two independent ranges at two separate valves. The **closing force (spring strength)** in the TS 91 is permanently set to size EN 3.

Force profile

DORMA TS 92 B

Closing force setting: size EN 4

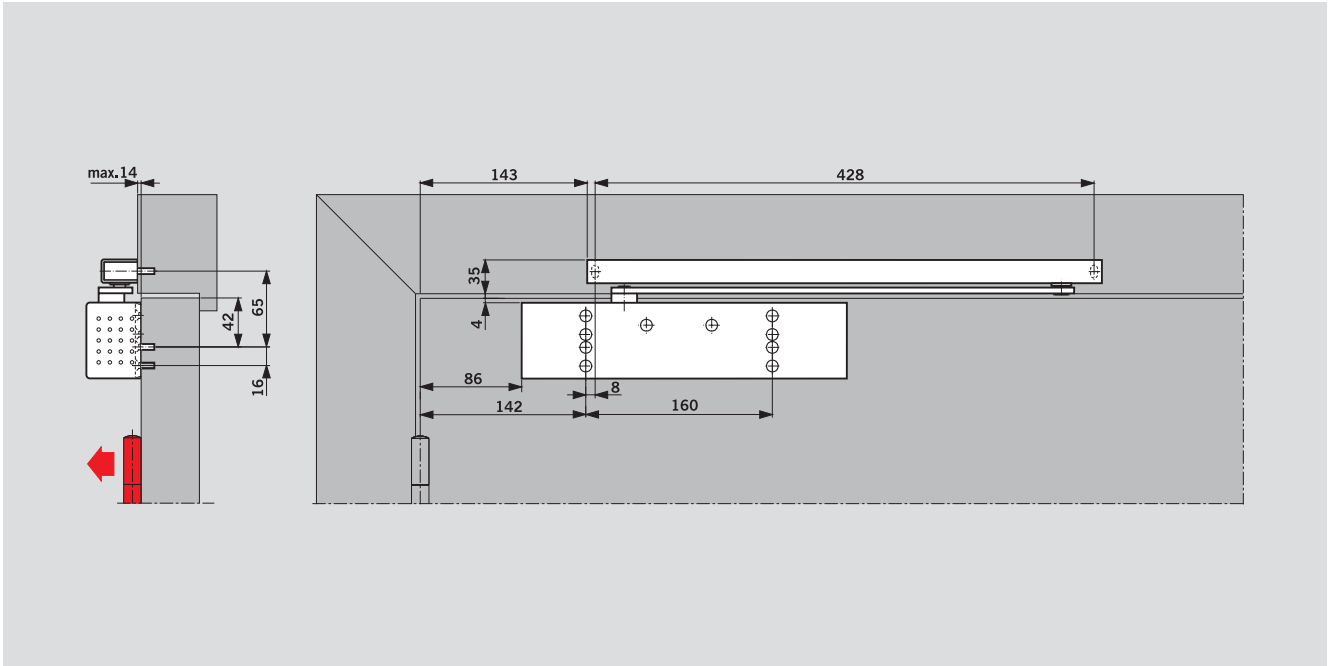


— Opening resistance
— Closing force



The heart-shaped cam and the linear drive mechanism which characterise all DORMA cam-action door closers produce a rapidly decreasing opening torque, so greatly reducing the amount of effort required. This means that even children, the elderly and the disabled can open doors with ease. The user-friendliness of the system is further enhanced by the reliable latching action achieved by the fact that the closing force only rises in the end phase of the cycle.

TS 92 B DOOR LEAF FIXING, PULL SIDE

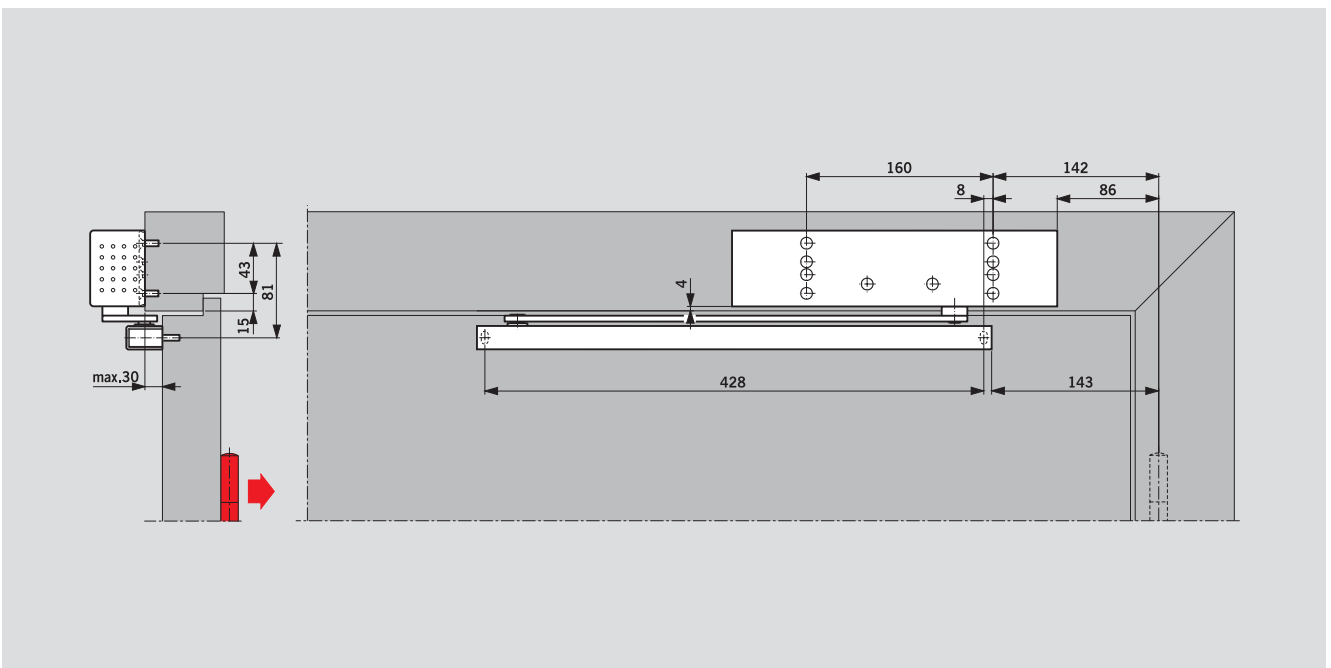


(example shows LH [ISO 6] door; RH [ISO 5] doors mirrored arrangement)

Provided the structural conditions allow, an opening angle of 180° is possible with this method of fixing.

In most cases, however, a wall recess will have to be provided for the door closer.

TS 92 B TRANSOM FIXING, PUSH SIDE

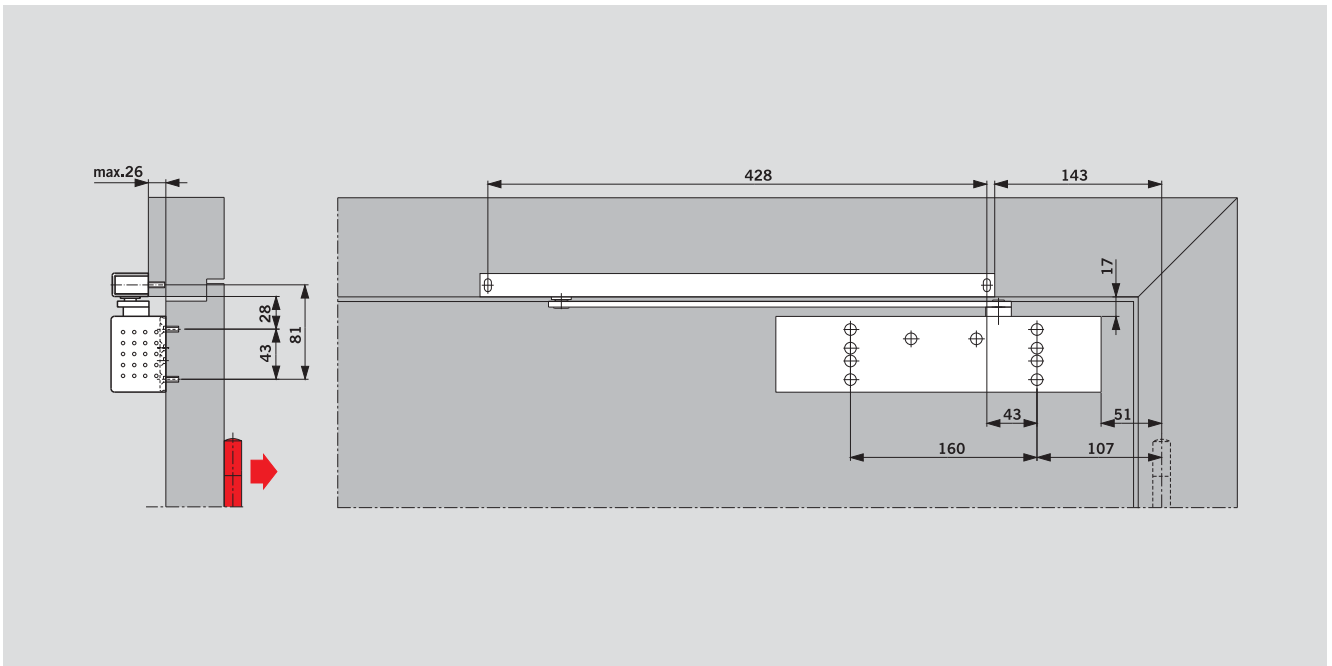


(example shows LH [ISO 6] door; RH [ISO 5] doors mirrored arrangement)

Depending on the structural conditions, the door opening angle with this method of fixing is limited to approx. 120° to 145°.

In order to avoid damage to the door or door closer, users are recommended to install a cushioned backstay or a door stop.

TS 92 G DOOR LEAF FIXING, PUSH SIDE



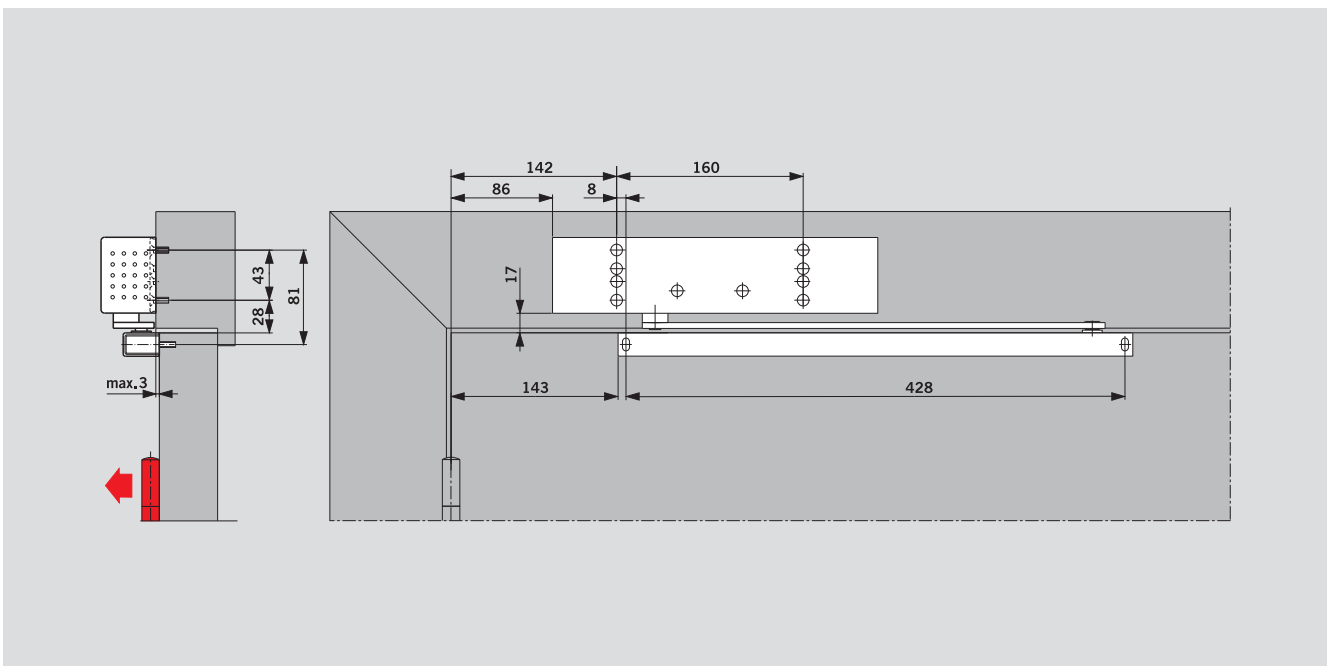
(example shows LH [ISO 6] door; RH [ISO 5] doors mirrored arrangement)

Depending on the structural conditions, the door opening angle with this method of fixing is limited to approx. 120° to 145°.

In order to avoid damage to the door or door closer, users are recommended to install a cushioned backstay or a door stop.

A door stop must be installed in the case of fire and smoke check doors.

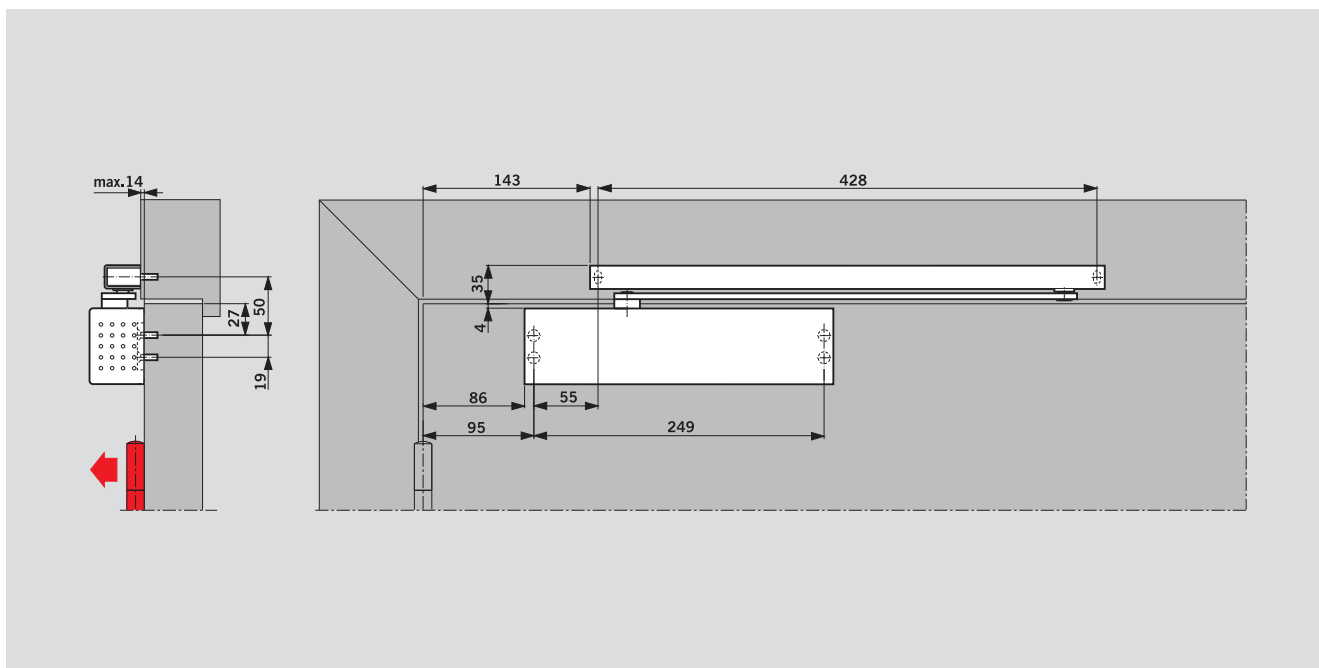
TS 92 G TRANSOM FIXING, PULL SIDE



(example shows LH [ISO 6] door; RH [ISO 5] doors mirrored arrangement)

Provided the structural conditions allow, an opening angle of 180° is possible with this method of fixing.

TS 91 B DOOR LEAF FIXING, PULL SIDE

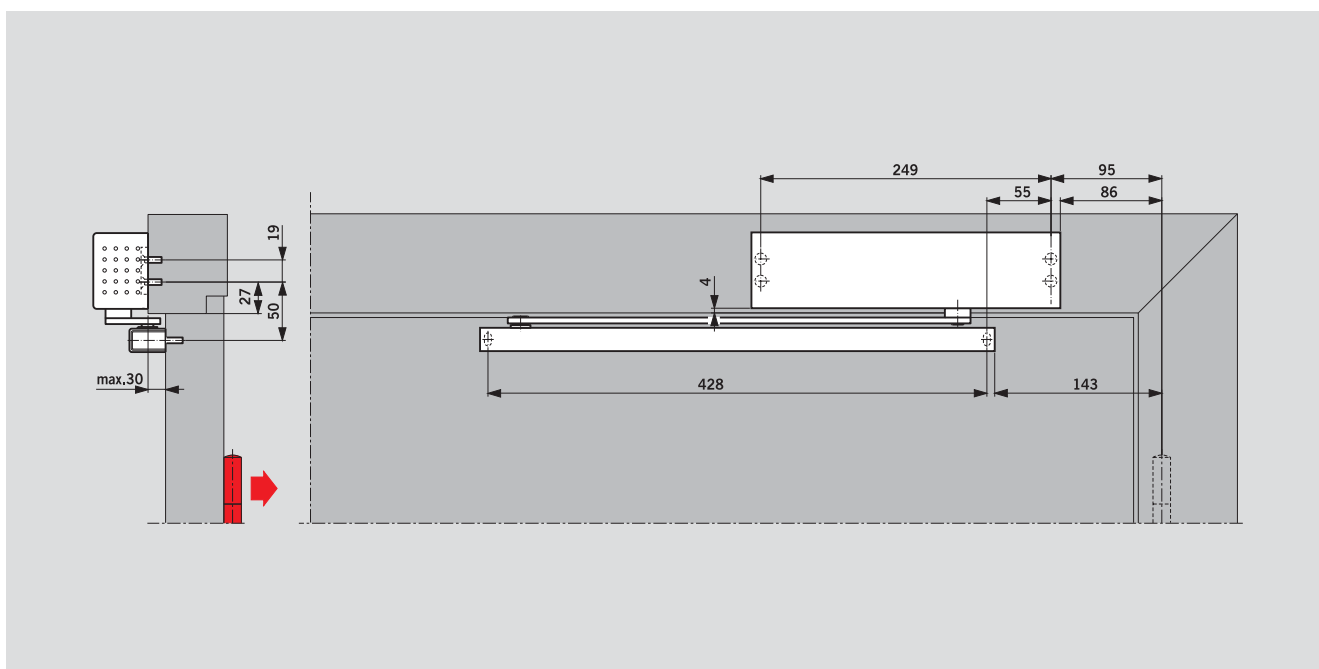


(example shows LH [ISO 6] door; RH [ISO 5] doors mirrored arrangement)

Provided the structural conditions allow, an opening angle of 180° is possible with this method of fixing.

In most cases, however, a wall recess will have to be provided for the door closer.

TS 91 B TRANSOM FIXING, PUSH SIDE



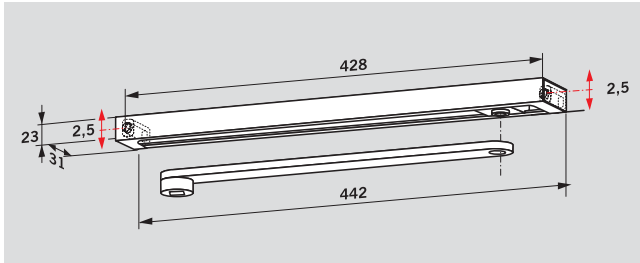
(example shows LH [ISO 6] door; RH [ISO 5] doors mirrored arrangement)

Depending on the structural conditions, the door opening angle with this method of fixing is limited to approx. 120° to 145°.

In order to avoid damage to the door or door closer, users are recommended to install a cushioned backstay or a door stop.

SLIDE CHANNEL

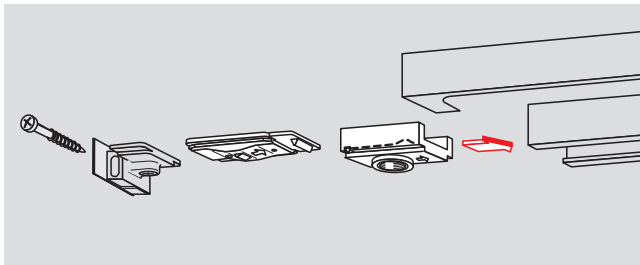
Slide channel



The **G-N** slide channel assembly comprises the main arm, slide channel, slide block, fixings, screws and end caps. The G-N slide channel is non-handed and can be combined with both door closers.

Thanks to oblong holes in the fixing pads, it is possible to compensate for deviations in the drill hole pattern and to keep the door closer body and slide channel perfectly parallel.

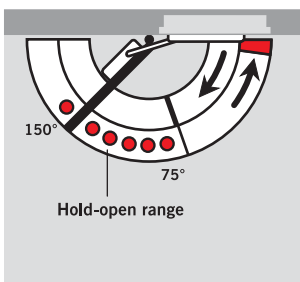
Hold-open unit



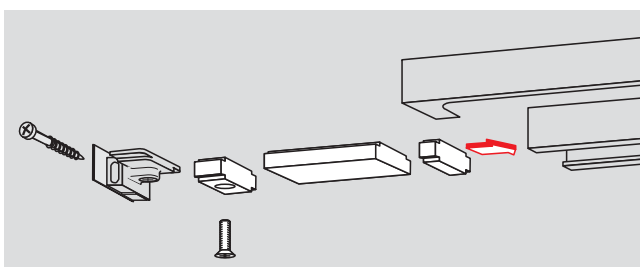
The **RF** mechanical hold-open unit ensures that doors are held open at precisely the correct angle – up to approx. 150° – without any fallback. The hold-open unit can be switched on and off by the user as required, and the pull-off force can be adjusted to suit

each individual door situation. The RF hold-open unit is non-handed and can also be supplied for retrofitting to the slide channel at a later date.

Not for fire and smoke check doors.



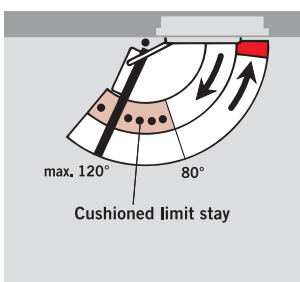
Cushioned limit stay



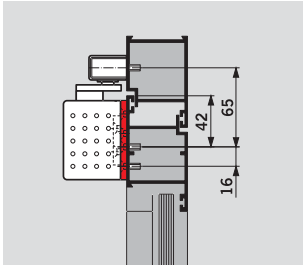
Cushioned limit stay simply slides into the slide channel. Adjustable between 80° and max. 120°. Also suitable for retrofitting.

The cushioned limit stay is not an overload protection device and in many applications will not be a suitable substitute for a door stop.

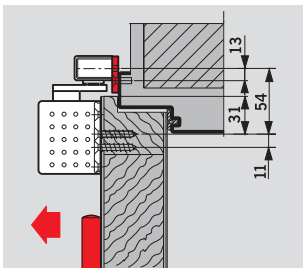
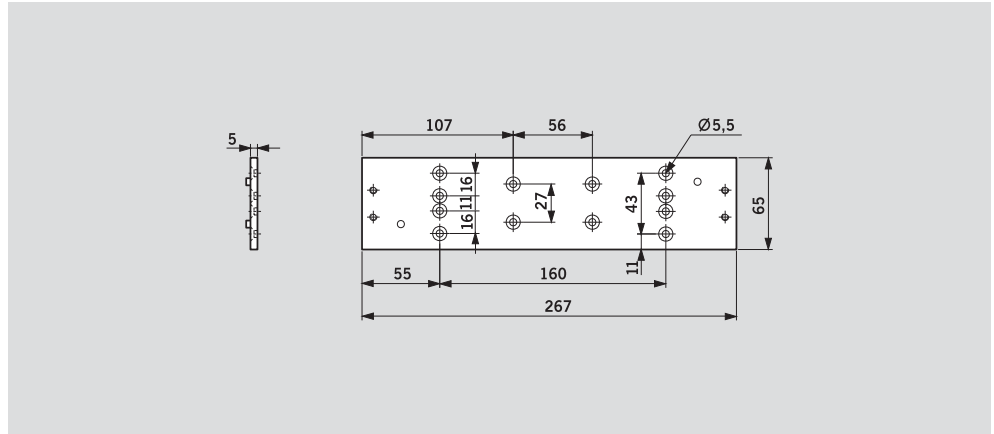
Fitting a cushioned limit stay prevents doors which are opened normally from impacting against adjacent walls.



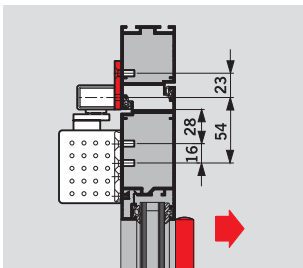
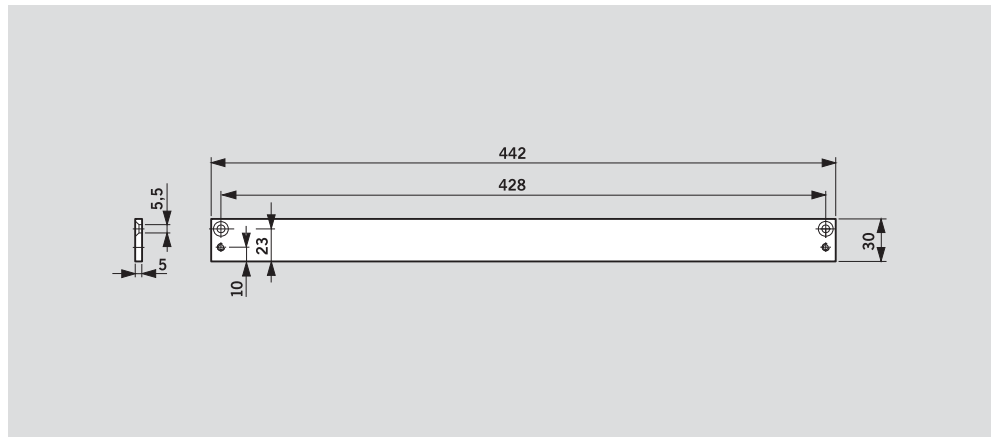
ACCESSORIES



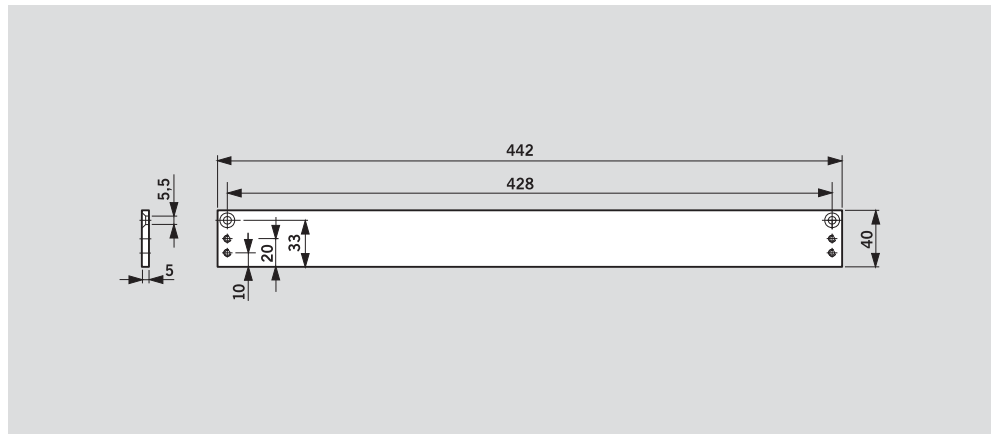
Mounting backplate for TS 91
 For fixing to doors which provide no means of direct mounting.
 Fixing hole pattern as per Supplement 1 to EN 1154.

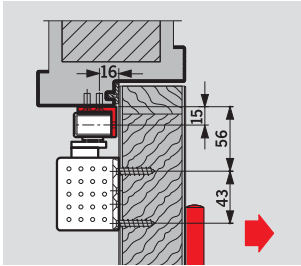


Mounting backplate 30 mm for G-N
 For fixing the slide channel to the door frame where there is no means of direct mounting.



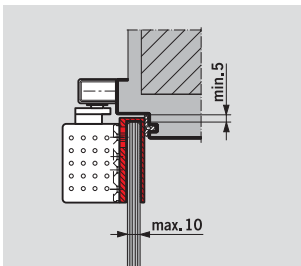
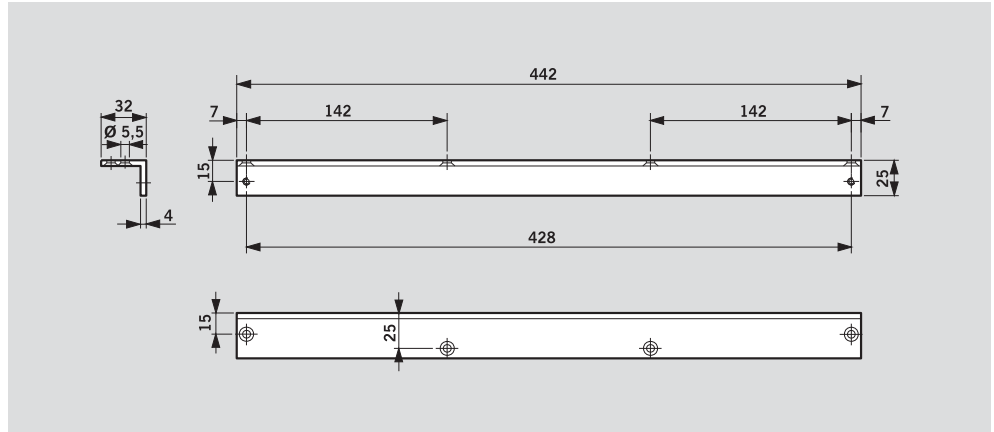
Mounting backplate 40 mm for G-N
 For fixing the slide channel to the door frame where there is no means of direct mounting.





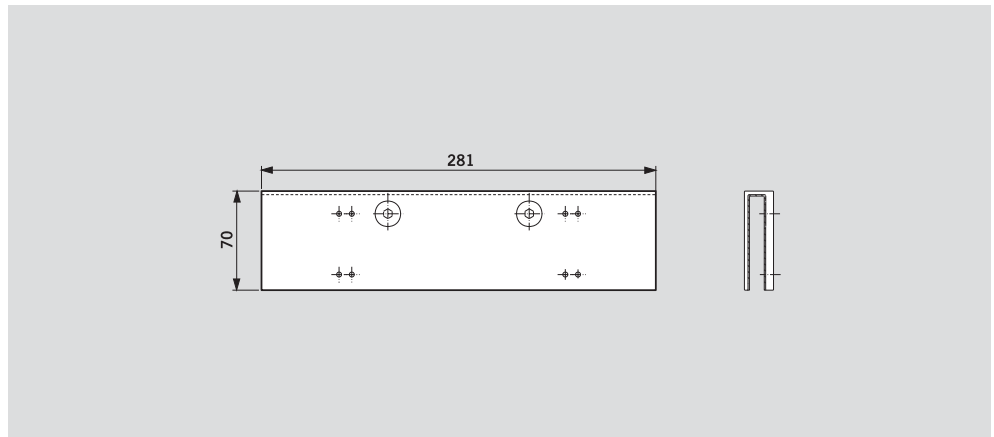
Angle bracket for G-N

For push-side fixing of the slide channel to door frames with a deep reveal.

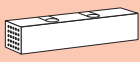
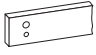

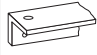

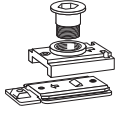
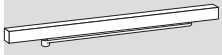
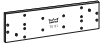
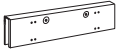


Glass door saddle plate for TS 92

For fixing the closer to toughened glass doors –
No glass drilling or recessing required.



STANDARD EQUIPMENT AND ACCESSORIES

	TS 92 B	TS 92 G	TS 91 B	Mounting backplate 30 mm for G-N	Mounting backplate 40 mm for G-N	Angle bracket for G-N	Cushioned limit stay set for G-N	Hold-open unit for G-N
								
	Size EN 1-4	Size EN 1-4	Size EN 3	644000xx	644100xx	644300xx	35800093	18570000
	■ 420201xx	■ 420301xx	■ 410201xx					
G-N	□	■	□	△	△	△	△	△
 □ 640100xx								
Mounting backplate for TS 91  410002xx			△					
Glass door saddle plate for TS 92  420001xx	△	△						

xx	Colour
01	Silver
11	White (RAL 9016)
09	Special colour
TS 92 also available in matching "Design" finishes	
04	Stainless steel
05	Polished brass

* "Design" refers to the surface finish of the products

- xx Colour
- Closer separate
- Slide channel assembly separate
- △ Optional accessory

SPECIFICATION TEXT

TS 92 B/G

Cam-action door closer, CERTIFIRE approved (CF 119), in Contur design with linear drive and rapidly decreasing opening resistance/torque, adjustable closing speed in two independent ranges and mounting backplate with universal fixing hole pattern; closing force infinitely variable between size EN 1 and EN 4. Non-handed. Approved to EN 1154.

Model

- TS 92 B
- TS 92 G

Accessories

- Hold-open unit
- Cushioned limit stay
- Mounting backplate (30 mm) for G-N
- Mounting backplate (40 mm) for G-NN
- Angle bracket for G-N
- Saddle plate for toughened glass doors

Colour

- silver
- white (sim. to RAL 9016)
- stainless steel
- polished brass
- special colour (sim. to RAL)

Make

- DORMA TS 92 B
- DORMA TS 92 G

TS 91 B

Cam-action door closer, CERTIFIRE approved (CF 119), in Contur design with linear drive and rapidly decreasing opening resistance/torque, adjustable closing speed in two independent ranges and mounting backplate with universal fixing hole pattern; closing force EN 3. Non-handed. Approved to EN 1154.

Accessories

- Hold-open unit
- Cushioned limit stay
- Mounting backplate (30 mm) for G-N
- Mounting backplate (40 mm) for G-N
- Mounting backplate for TS 91

Colour

- silver
- white (sim. to RAL 9016)
- special colour (sim. to RAL)

Make

- DORMA TS 91 B



DORMA India Private Limited
14 Pattullous Road
CHENNAI - 600 002
INDIA
Phone +91 44 2855 9192
Fax +91 44 2858 5096
www.dorma.com/in