

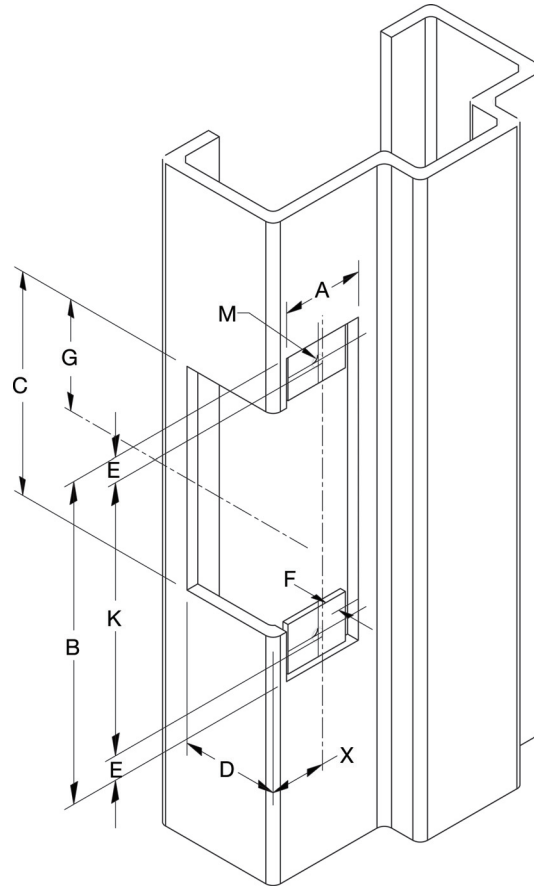
# ES74F Installation Instructions (con't)

## INSTRUCTIONS Cont'd.

2. Determine the horizontal centerline.  
**FOR MORTISE LOCKS:** Position the strike against the edge of the door with the deadlock trigger fully on the strike's angled ramp and the latch within the strike cavity. Move door close to the frame. The horizontal centerline is clearly molded into the strike's pry-guard. Transfer onto door frame.  
**FOR CYLINDRICAL LOCKS:** Simply align the center of the latch with the center of the strike cavity. Move door close to the frame. The horizontal centerline is clearly molded into the strike's pry-guard. Transfer onto door frame.
3. Determine the vertical centerline of the door lock face, carefully considering any stops or gasket and transfer onto the door frame.
4. Use the vertical and horizontal centerlines marked on the drawing below to prepare the door frame for cutting.
5. If required, install the optional "no weld" mounting brackets as per the instructions included with the mounting brackets in the hardware pack.
6. Connect the incoming wiring from the power supply to the terminal screws on the strike insert. DORMA door strikes are not polarity sensitive although be certain to observe proper polarity if a suppression diode is required for access control applications.
7. Install the door strike in the door frame using the screws provided.
8. See Insert Tips on page 3 of installation instructions.

**ES74F**

MEASUREMENT	FRACTIONAL INCHES	DECIMAL INCHES	METRIC mm
A	1-1/4"	1.25	31.8
B	4-7/8"	4.87	123.8
C	3-3/8"	3.38	85.7
D	1-1/2"	1.50	38.1
E	3/8"	0.38	9.5
F	1/8"	0.13	3.2
G	1-11/16"	1.69	42.9
X	Vertical Centerline of Door Lock and Mounting Face Plate		
K	4-1/8"	4.13	104.8
M	12-24	N/A	N/A



**NOTE:** Specifications subject to change without notice.

\* **Dimension F** is measured from face of mounting tab to face of frame.