

INSTALLATION

ES72F

Electric Strikes

MOUNTING & WIRING INSTRUCTION

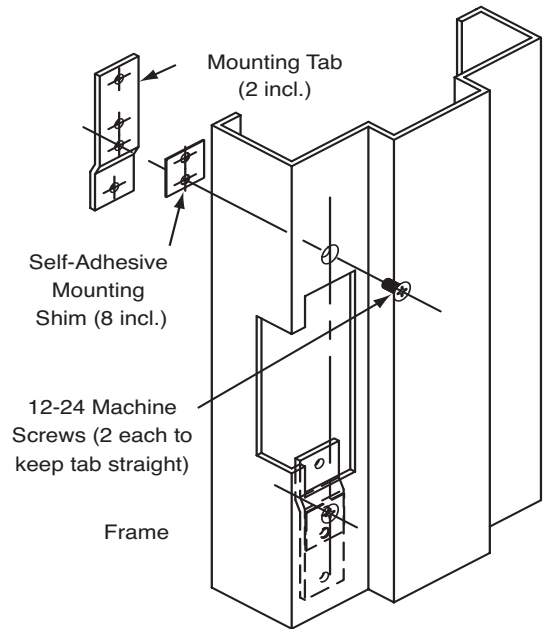
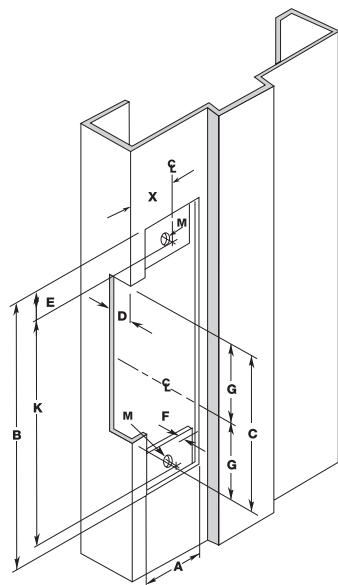
- Determine the vertical centerline of the door lock face and the horizontal centerline of the latch.
IMPORTANT: When determining the horizontal centerline observe the following:
FOR MORTISE LOCKS: Align the angled ramps of the lip bracket with the deadlock trigger of the mortise latch.
FOR CYLINDRICAL LOCKS: Align the center of the latch with the center of the strike opening. **
- Transfer both the horizontal and vertical centerlines to the door frame.**
- Prepare the door frame for cutting as shown below.
- If required, install the optional "no weld" mounting tabs.
- Connect the incoming wiring from the power supply to the terminal screws on the strike insert. DORMA door strikes are not polarity sensitive, although be certain to observe proper polarity if a suppression diode is required for access control applications.
To meet BHMA A156.31 install the MOV provided across the red and black power wires.
- Install the door strike in the door frame using the screws provided.

MOUNTING TAB KIT INSTRUCTIONS

Mounting tab kit is for use with aluminum and steel frames that do not have factory installed mounting tabs for electric strike installation.

- Prepare the frame as shown. Fasten the mounting tabs to the faceplate of the strike, selecting the appropriate shims for your installation.
- Using the assembled strike and tabs as a template, place against the frame and mark the mounting hole locations. Remove and drill two 3/16" holes in the frame for each mounting tab and countersink the frame.
- Remove the tabs from the faceplate and install in the frame using the 12-24 x 3/8" machine screws supplied. Tabs are zinc plated and drilled and tapped for this purpose.
- Make final electrical connections as notes at left and mount strike to the tabs with the 12-24 x 3/8" machine screws.

ES72F			
MEASUREMENT	FRACTIONAL INCHES	DECIMAL INCHES	METRIC mm
A	1-1/4"	1.250	31.75
B	4-7/8"	4.875	123.83
C	3-3/8"	3.375	85.73
D	29/32"	.906	23.02
E	3/8"	.375	9.53
F	1/8"	.125	3.18
G	1-11/16"	1.688	42.86
X	Vertical Centre Line of Door Lock and Mounting Face Plate		
K	4-1/8"	4.125	104.78
M	12-24	N/A	N/A
Dpth	1-1/2"	1.5	38



NOTE: Specifications subject to change without notice.

* **Dimension F** is measured from face of mounting tab to face of frame.

** **Dimension X** on the drawing is determined by the vertical centerline of the door. If the latch incorporates a deadlocking pin, additional steps will be necessary to ensure proper operation of the deadlocking pin. Measure the thickness of the deadlocking pin and add this thickness to Dimension X to relocate the vertical centerline an appropriate distance on the frame.