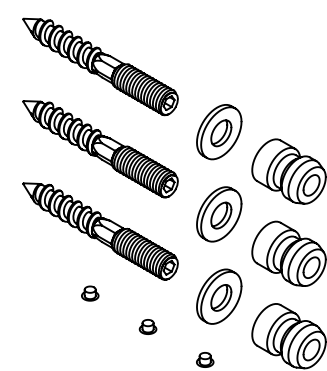
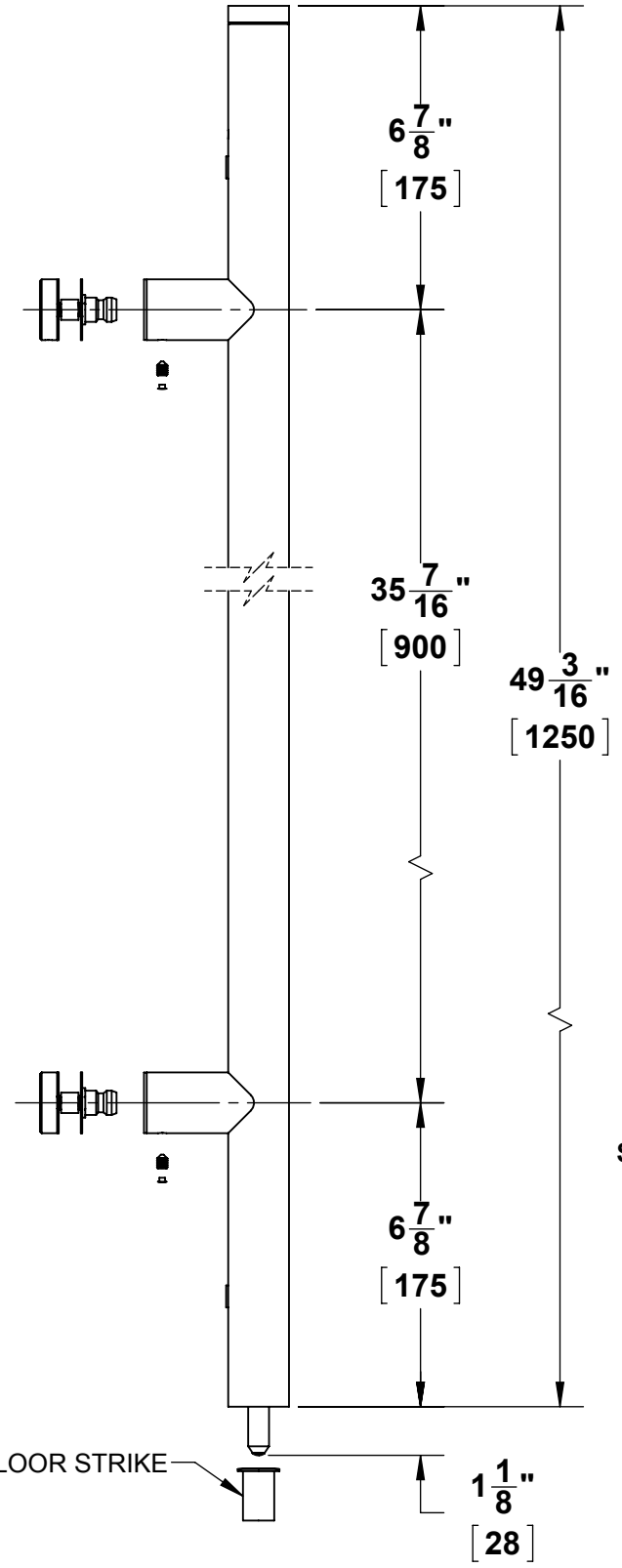
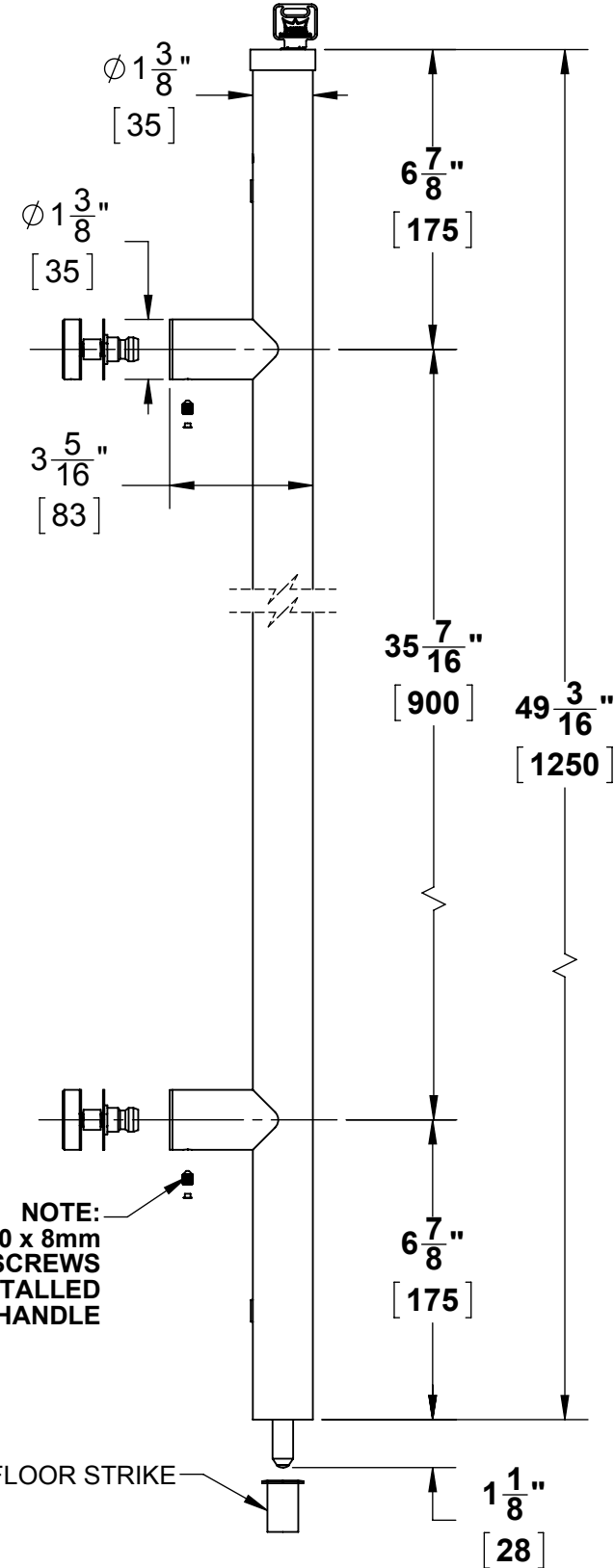
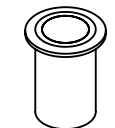


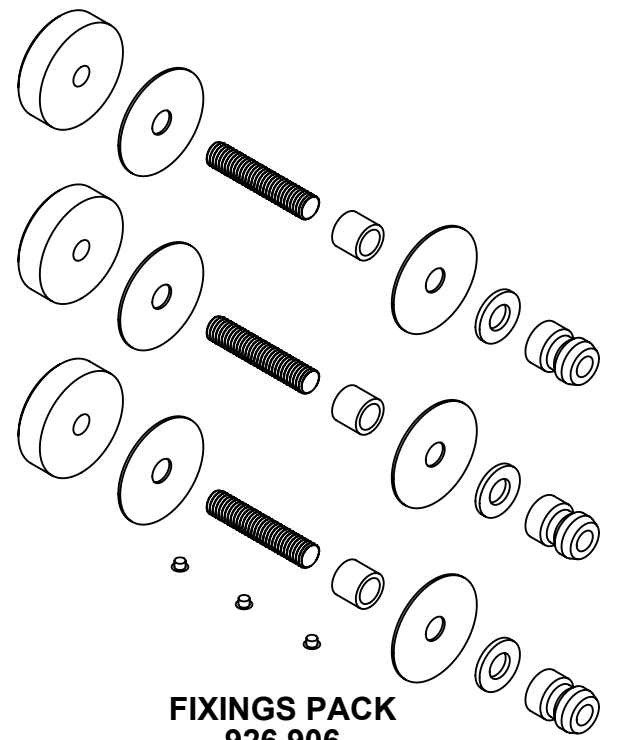
DESCRIPTION	DORMA PART NO.	1/2" GLASS	3/4" GLASS	1-3/4" WOOD	1-3/4" WOOD BLIND
LOCKING LADDER PULL-SINGLE-TOP KEY-49"	926.934	926.906	926.906	926.908	926.910
LOCKING LADDER PULL-SINGLE-TOP THUMB-49"	926.935	926.906	926.906	926.908	926.910



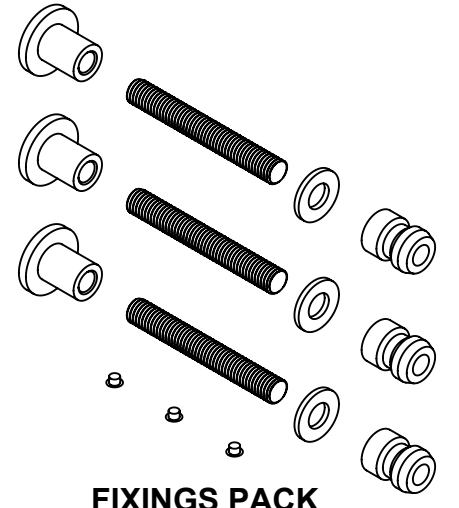
FIXINGS PACK 926.910



FLOOR STRIKE 926.937

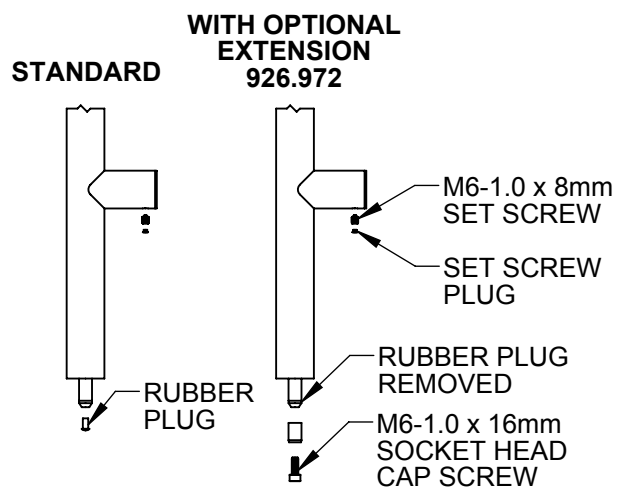


FIXINGS PACK 926.906



FIXINGS PACK 926.908

**FOR STANDOFF
FIXINGS-DRILL 1/2" DIA
HOLE FOR GLASS
PREP**



NOTE:
M6-1.0 x 8mm
SET SCREWS
ARE INSTALLED
IN HANDLE

DO NOT SCALE DRAWING
All Dimensions Are in Inches [mm].
Tolerances Unless Otherwise Specified:
Decimal: .XXX = ±.005 [0.13mm]
 .XX = ±.010 [0.25mm]
 .X = ±.050 [1.27mm]
Fractional & Others = ±1/32 [0.79mm]
Angular: ±1/2°
Hole Dia.: +.005/-0.002 [+0.13mm/-0.06mm]
Thread Class: 2A / 2B
All Machined Surfaces: 125√
NOTE: All Perpendicular Lines Are to be
Considered at 90 Degs & Must Meet
Angular Tolerance as Specified.

INTERNAL USE ONLY - DO NOT DISTRIBUTE			
DORMA USA Inc.			
Dorma Drive, Reamstown, PA 17567 Phone: 717-336-3881			
TOP LOCKING LADDER PULLS			
Material: SSTL	Finish: SATIN/BRUSHED		
Drawn By: C. BRUBAKER	Date: 3/12/2014	Drawing No.:	Rev.
TS 008		-	
Scale 1:1		Sheet 1 of 1	