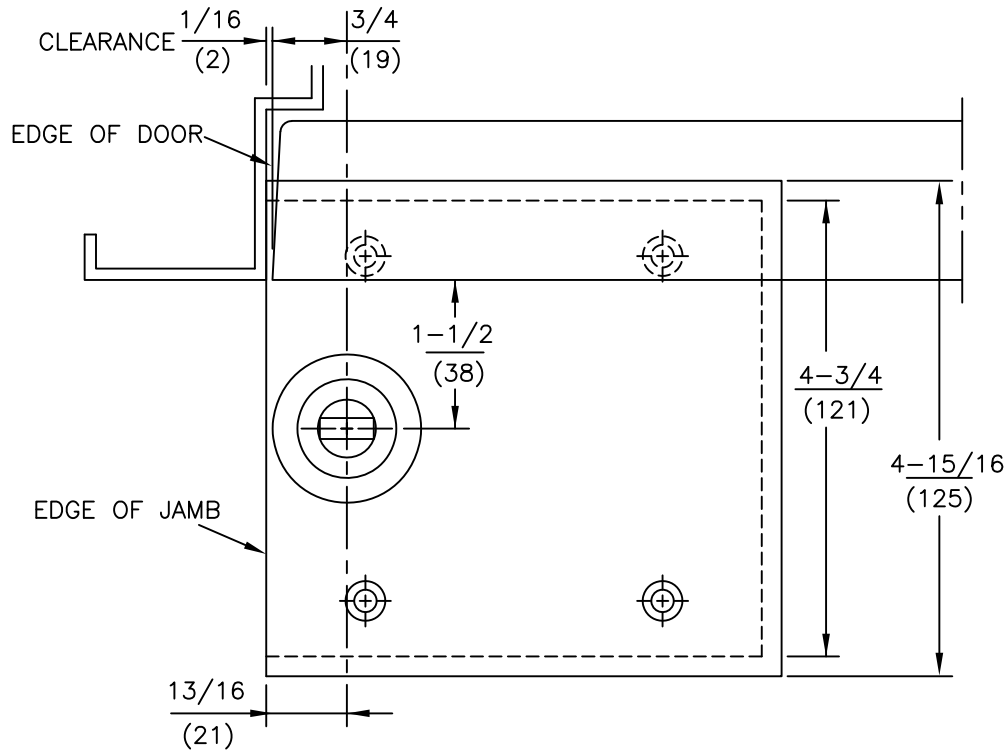
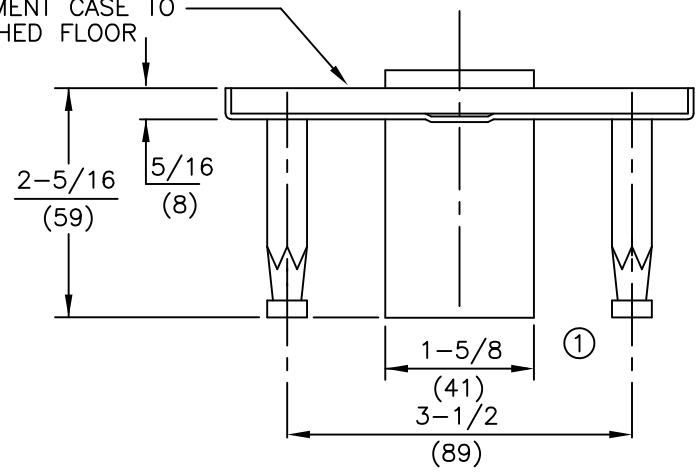


NOTES:

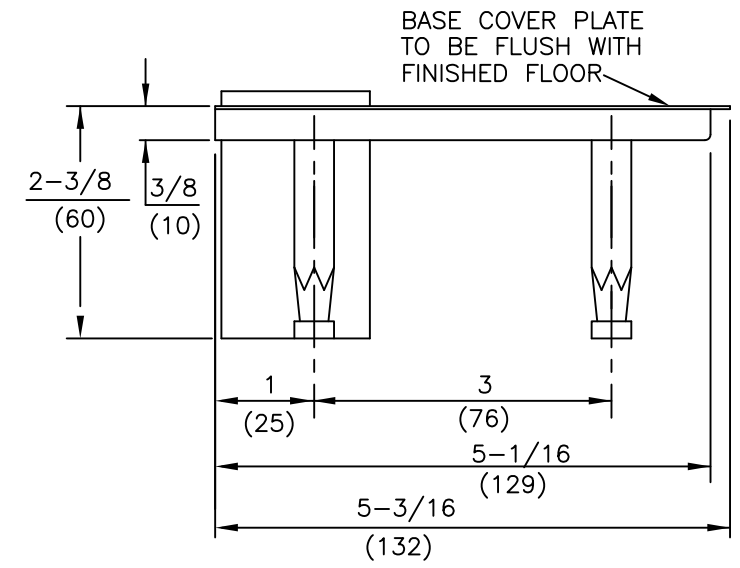
1. DO NOT SCALE DRAWING.
2. DIMENSIONS ARE IN INCHES\MM.
3. RIGHT HAND DOOR SHOWN.



TOP SURFACE OF CEMENT CASE TO BE FLUSH WITH FINISHED FLOOR



WITH THRESHOLD



WITHOUT THRESHOLD

BASE COVER PLATE TO BE FLUSH WITH FINISHED FLOOR

ITEM No. 7471HD FLOOR BEARING
 1-1/2" OFFSET HEAVY DUTY FLOOR BEARING INSTALLATION
 FOR USE WITH 15323 BOTTOM ARM



dormakaba USA, INC.
 800 523 8483