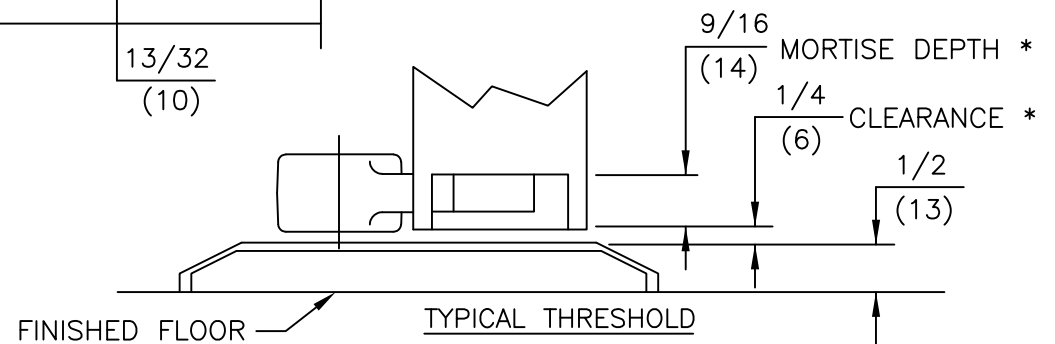
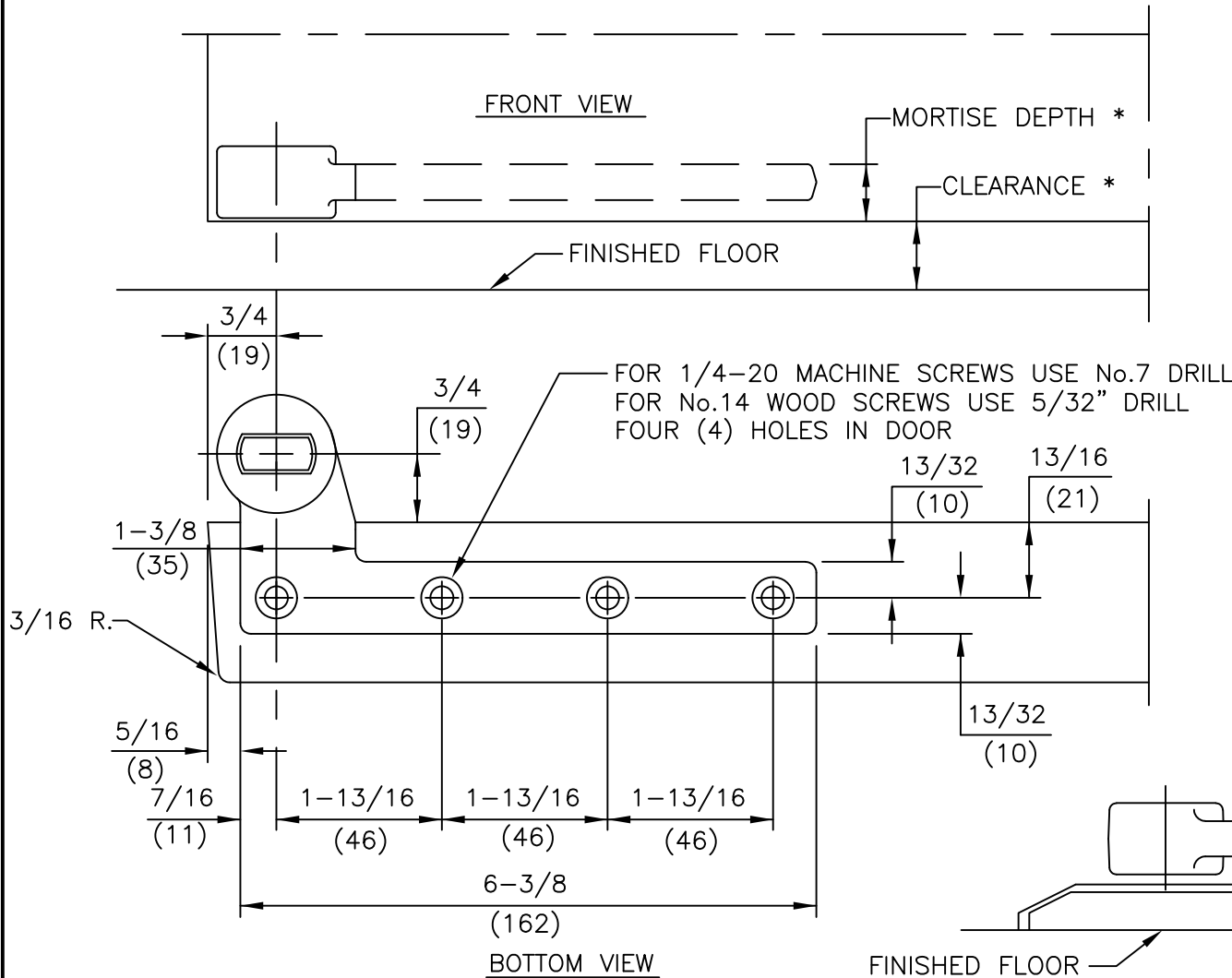


NOTES ①

1. DO NOT SCALE DRAWING.
2. DIMENSIONS ARE IN INCHES/(MM).
3. RIGHT HAND DOOR SHOWN.
4. BEVEL HEEL EDGE OF DOOR 1/8" IN 2".
5. ALL NECESSARY REINFORCEMENT FOR ARM BY OTHERS.

SPINDLE EXT.	CLEARANCE *	MORTISE DEPTH *
STD.	5/16"	1"
STD.	1/2"	13/16"
STD.	3/4"	9/16"
5mm	15/16"	9/16"
10mm	1-1/8"	9/16"
15mm	1-5/16"	9/16"
20mm	1-1/2"	9/16"
25mm	1-11/16"	9/16"
30mm	1-15/16"	9/16"
35mm	2-1/8"	9/16"
40mm	2-5/16"	9/16"
45mm	2-1/2"	9/16"
50mm	2-11/16"	9/16"

①



ITEM No. 75323
 3/4" OFFSET STANDARD BOTTOM ARM
 FOR NON-FIRE OR 3 HR. RATED DOORS
 FOR USE WITH 7471K FLOOR BEARING