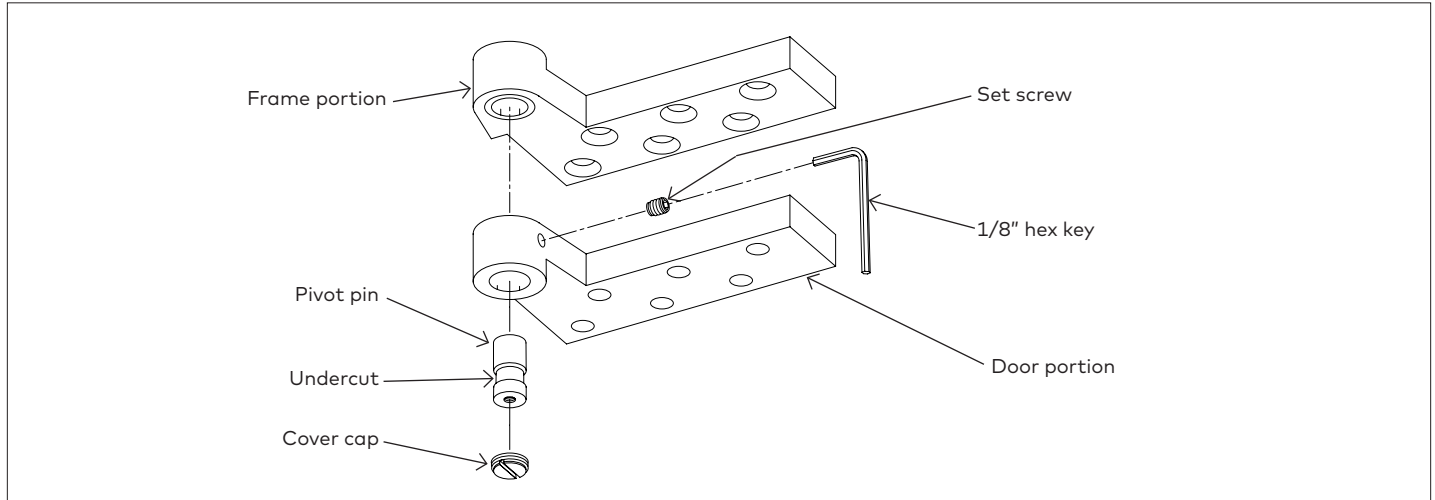


# Installation Instructions

3/4" Offset Lead Lined Top Pivot  
For use with 75140, 75142, 75143

## 1.1 Install pivot

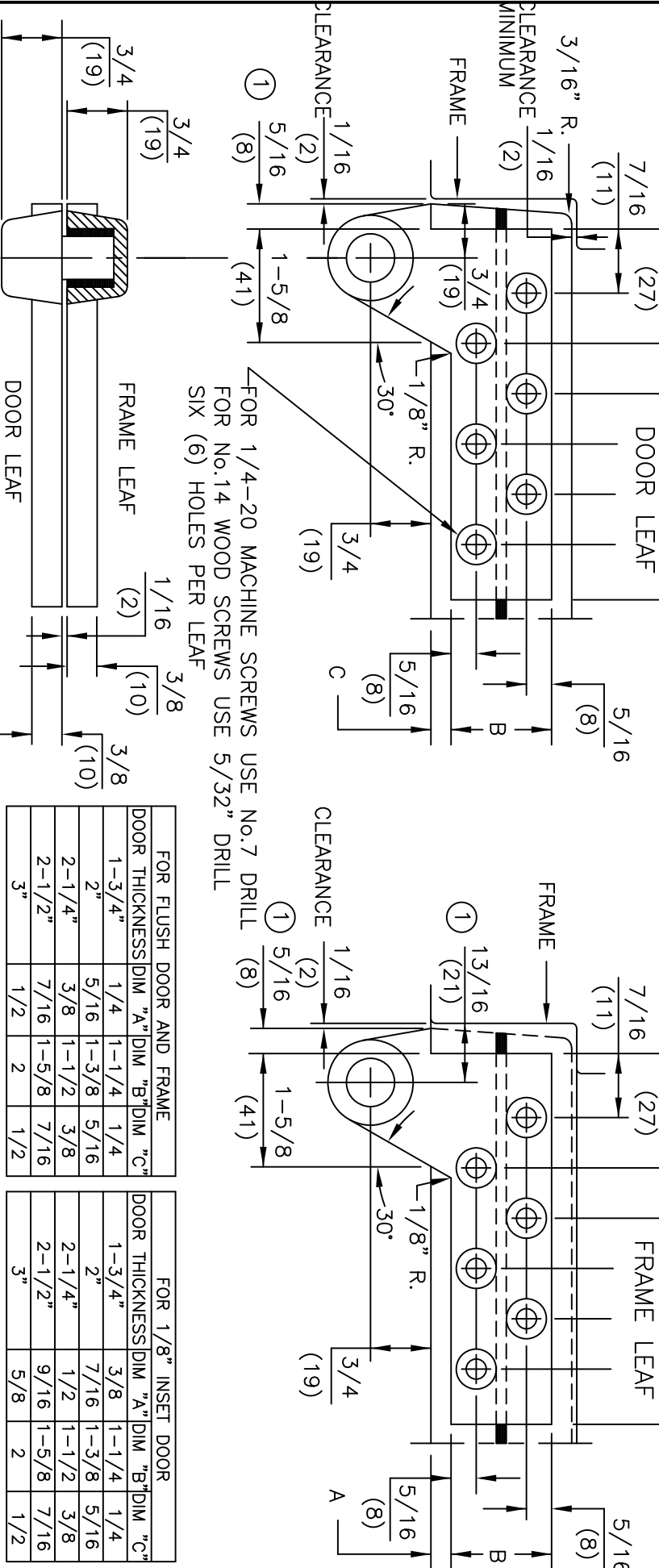
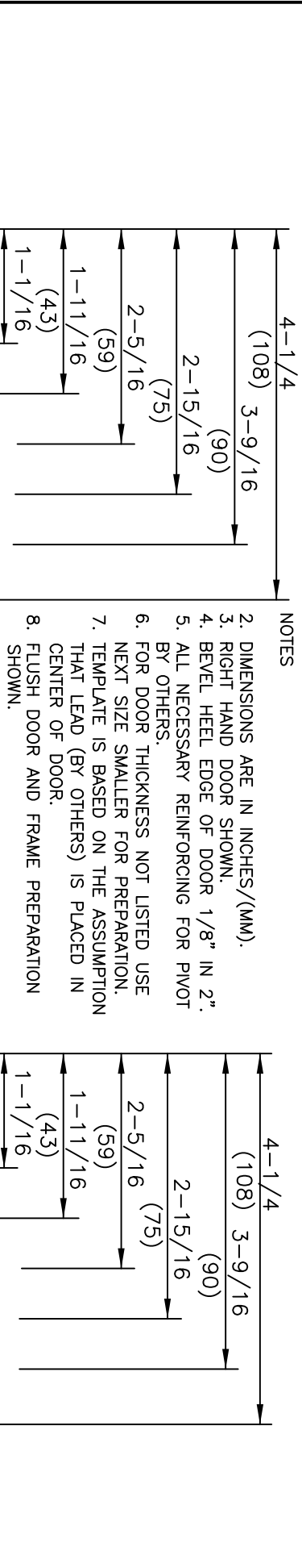
Fig. 1



- 1.1.1 Prepare door and frame according to template.
- 1.1.2 Remove door portion cover cap.
- 1.1.3 Remove set screw.
- 1.1.4 Remove pivot pin.
- 1.1.5 Fasten pivot to door and frame.
- 1.1.6 Install door.

- 1.1.7 Align door and frame portion of top pivot.
- 1.1.8 Install pivot pin making sure undercut area of pin aligns with set screw.
- 1.1.9 Tighten set screw securely.
- 1.1.10 Install door portion cover cap.

**NOTE:** Depending on type of pivot and hand of door, set screw may be in door portion or frame portion of pivot. However, pivot will always be removeable through door portion.



FOR FLUSH DOOR AND FRAME			
DOOR THICKNESS	DIM "A"	DIM "B"	DIM "C"
1-3/4"	1/4	1-1/4	1/4
2"	5/16	1-3/8	5/16
2-1/4"	3/8	1-1/2	3/8
2-1/2"	7/16	1-5/8	7/16
3"	1/2	2	1/2

FOR 1/8" INSET DOOR			
DOOR THICKNESS	DIM "A"	DIM "B"	DIM "C"
1-3/4"	3/8	1-1/4	1/4
2"	7/16	1-3/8	5/16
2-1/4"	1/2	1-1/2	3/8
2-1/2"	9/16	1-5/8	7/16
3"	5/8	2	1/2

ALL SERIES: [75140, 75142, 75143 (DOOR FLUSH WITH FRAME) NON-HANDED], [75140 5/8, 75142 5/8, 75143 5/8 (DOOR INSET 1/8" FROM FRAME) HANDED] 3/4" OFFSET FULL MORTISE TOP PIVOT FOR LEAD LINED OR EXTRA HEAVY DOORS



dormakaba USA, INC.  
 800 523 8483