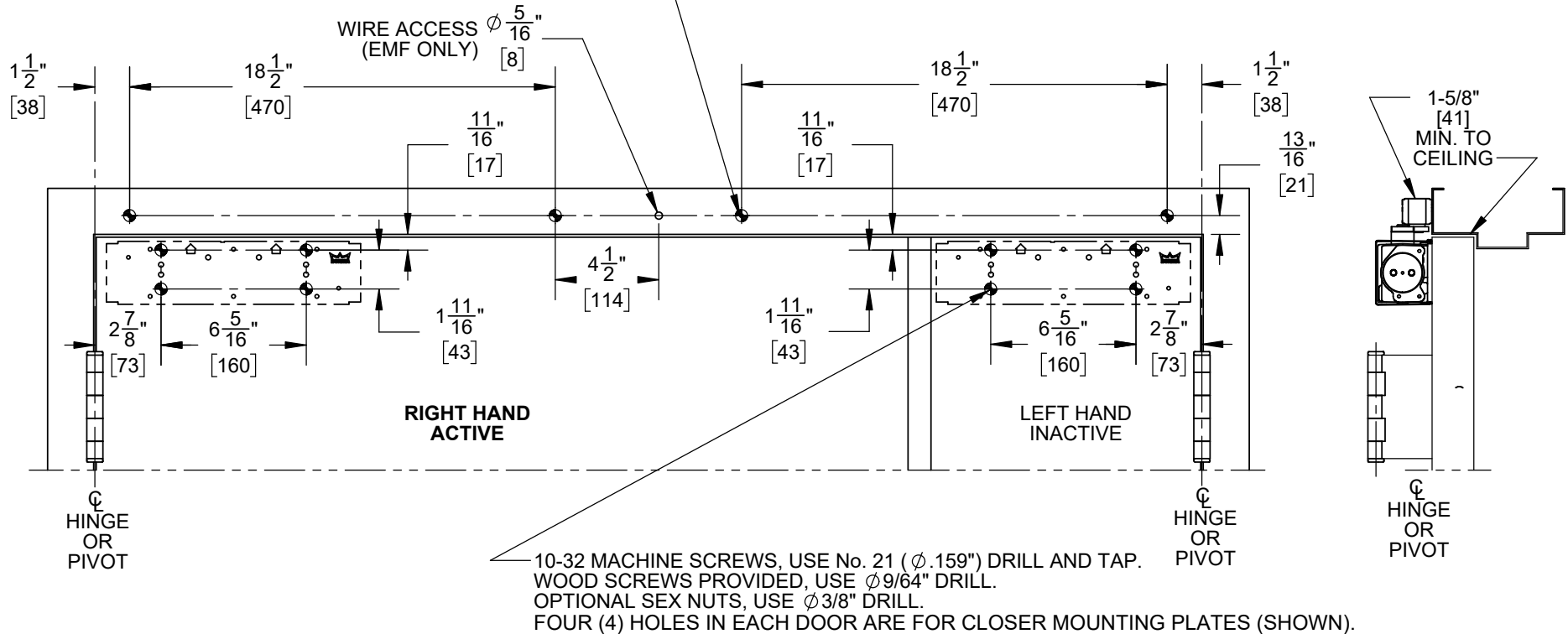


NOTES:

1. DRAWING IS NOT TO SCALE.
2. DIMENSIONS ARE IN INCHES/[MM].
3. CAUTION: SEX NUTS RECOMMENDED FOR ATTACHMENT OF COMPONENTS ON UNREINFORCED, COMPOSITE, OR LABELED FIRE DOORS, UNLESS AN ALTERNATIVE METHOD IS IDENTIFIED IN THE INDIVIDUAL DOOR MANUFACTURER'S LISTINGS.
4. TEMPLATE IS FOR 4-1/2" x 4-1/2" BUTT HINGES AND 3/4" OFFSET PIVOTS.
5. MAXIMUM DEGREE OF OPENING IS: ACTIVE 120°, INACTIVE 123°.
6. HOLD OPEN RANGE IS FROM 80° TO 120°.

10-32 MACHINE SCREWS, USE No. 21 (ϕ .159") DRILL AND TAP.
WOOD SCREWS PROVIDED, USE ϕ 9/64" DRILL.
FOUR (4) HOLES IN FRAME ARE FOR COORDINATOR.



DOOR CLOSER MODELS: TS93 GSR/T, GSR/T EMF 1A, 1I
TRACK INSTALLATION (PULL SIDE MOUNT)
WITH DOOR COORDINATOR FOR 12" INACTIVE LEAF