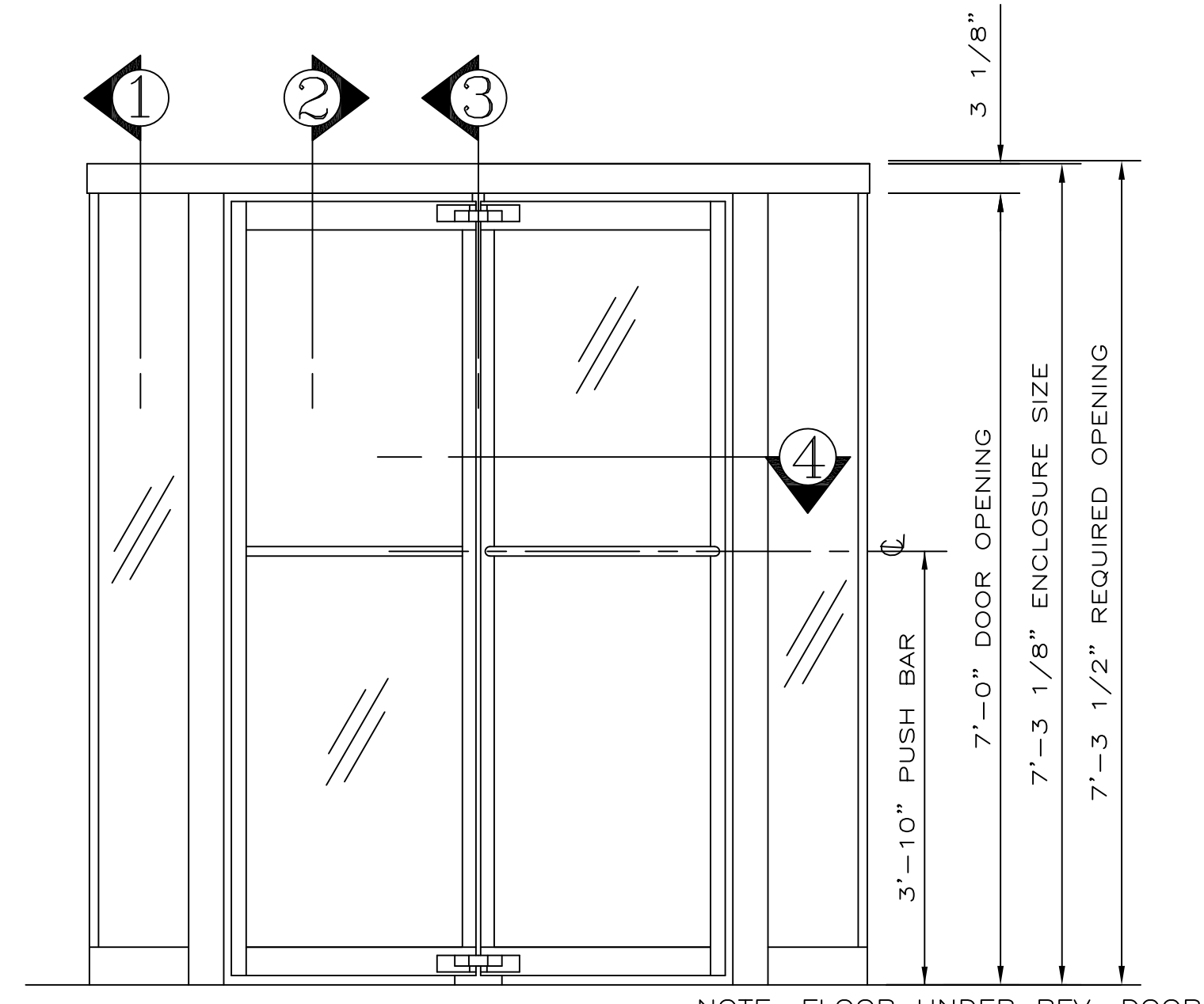
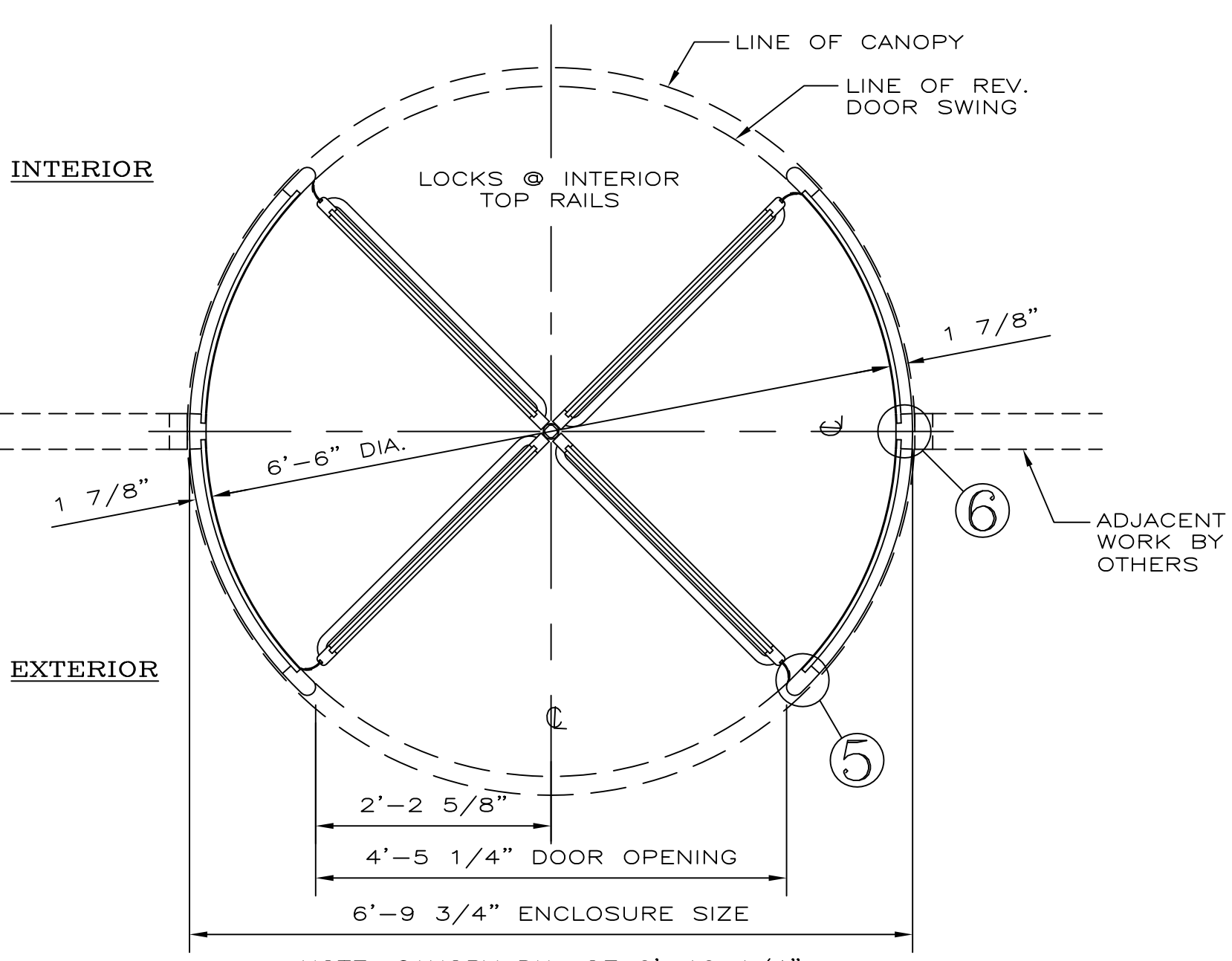


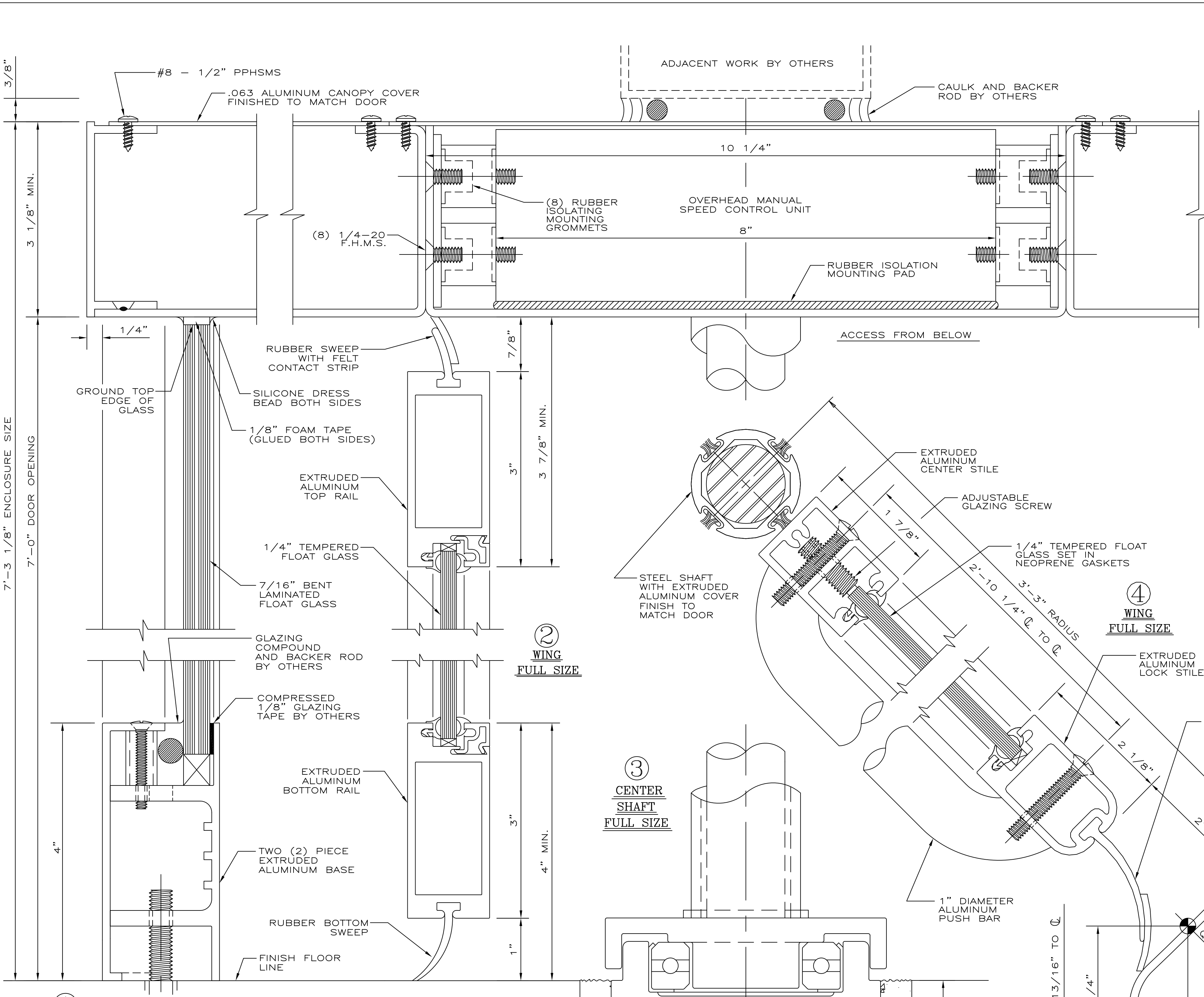
**CANOPY REINFORCING PLAN**  
SCALE: 3/4" = 1'-0"



**ELEVATION**  
ONE (1) DOOR REQUIRED THUS  
SCALE: 3/4" = 1'-0"



**PLAN**  
SCALE: 3/4" = 1'-0"



**1 ENCLOSURE WALL FULL SIZE**

**CONTRACTOR NOTE:**  
CONTRACTOR TO PROVIDE A 5/16\"/>

**GENERAL NOTES**

CONTRACTOR SHOULD CHECK & TAKE NOTE OF ALL DIMENSIONS AS C.D.C. (CRANE DOOR CO.) ASSUMES NO RESPONSIBILITY BEYOND MANUFACTURING IN ACCORDANCE WITH THE DIMENSIONS SHOWN ON SHOP DRAWINGS.

APPROVAL INDICATES THAT THIS SHOP DRAWING HAS BEEN CHECKED AND THAT YOU AUTHORIZE US TO FABRICATE MATERIALS AS SHOWN HERE-IN.

REVOLVING DOOR PERIMETER CAULKING (INCLUDING BASE SECTION TO FLOOR) AND CANOPY COVER CAULKING NOT BY C.D.C. ALL HOLES IN FLOOR NOT BY C.D.C.

**MATERIAL TO BE:**  
EXTRUDED ALUMINUM OF 6063-T52 ALLOY, SHEET ALUMINUM OF 5005-H34 AQ ALLOY. (UNLESS OTHERWISE SPECIFIED)

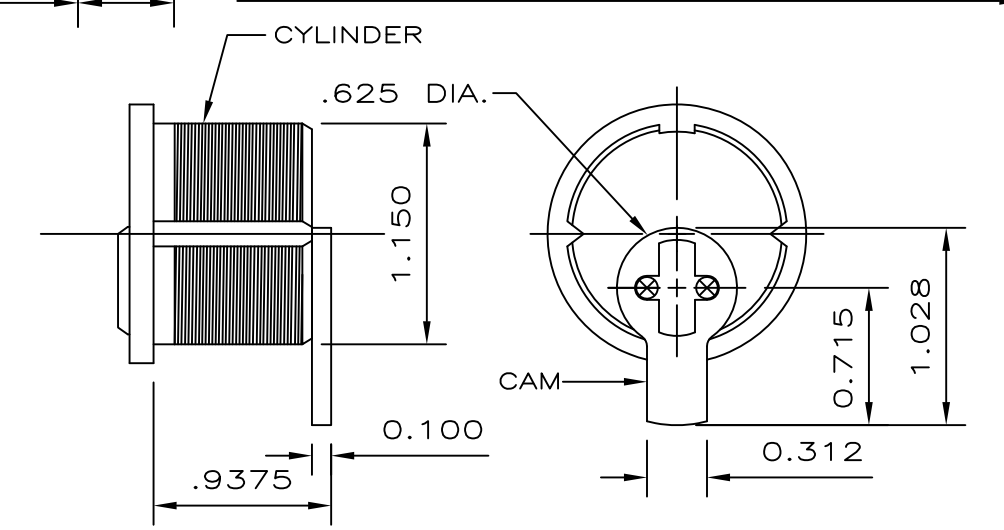
**FINISH TO BE:**  
CLEAR ANODIZED AA-M32-C22-A41

**GLASS TO BE:** CLEAR  
1/4\"/>

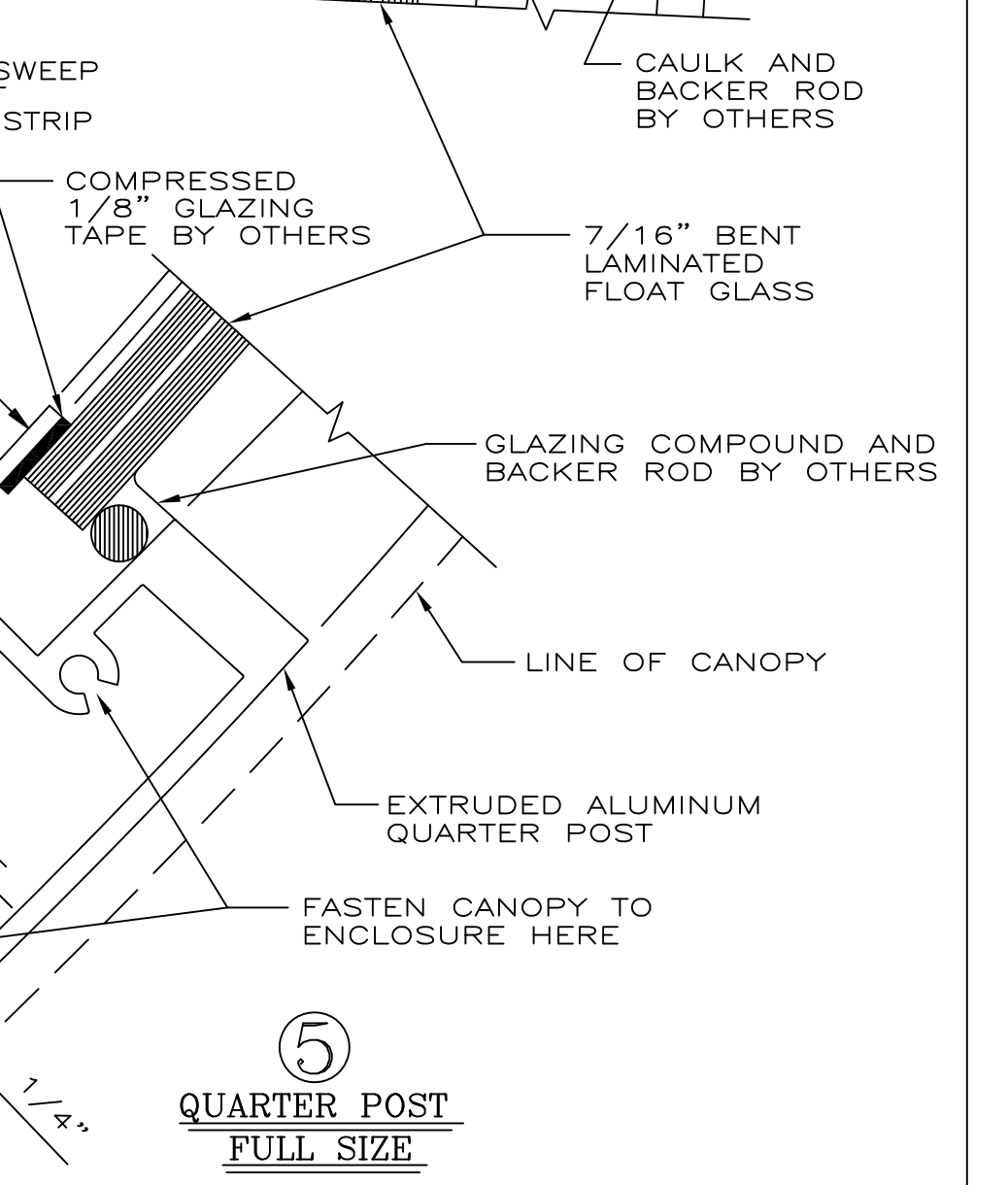
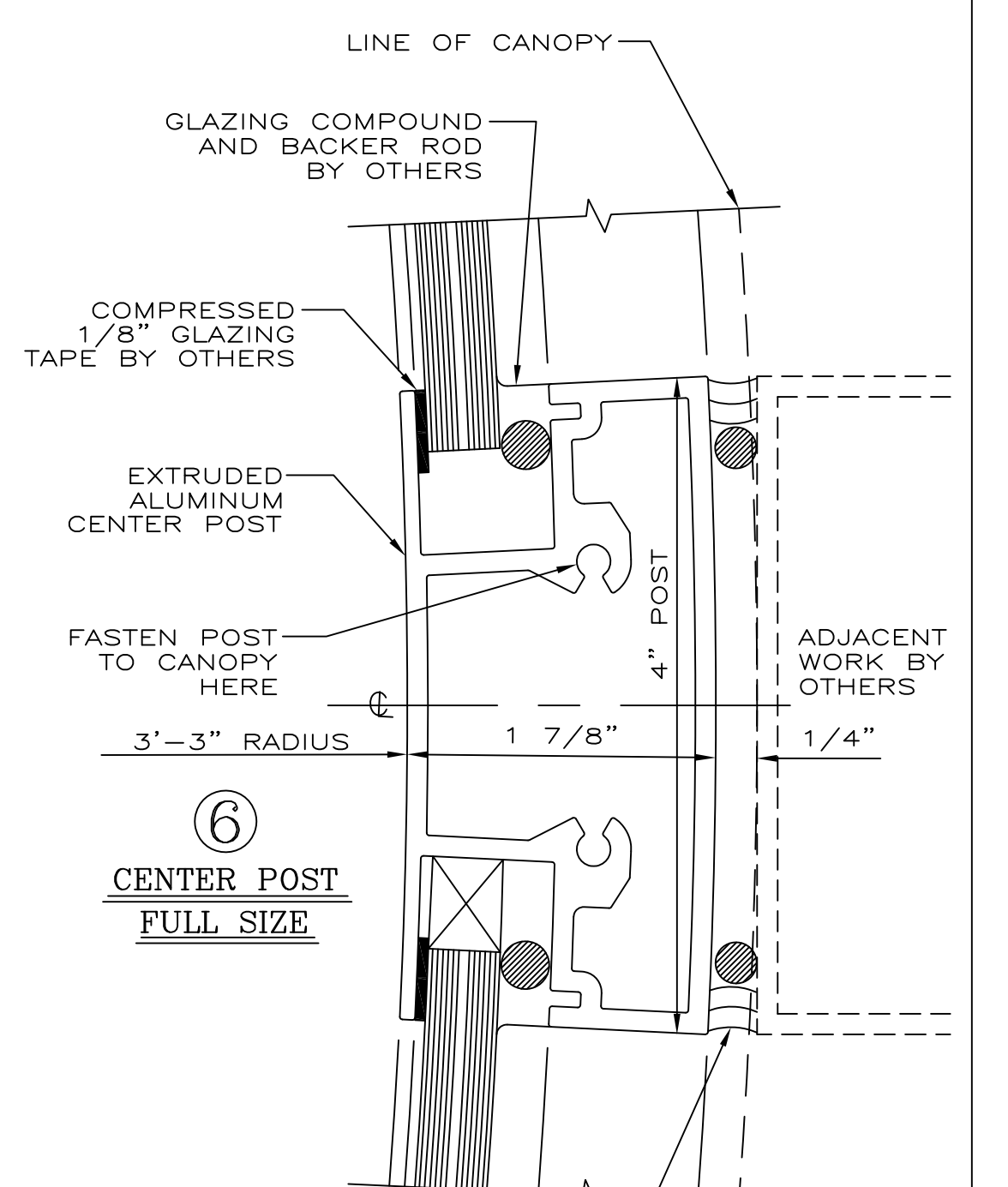
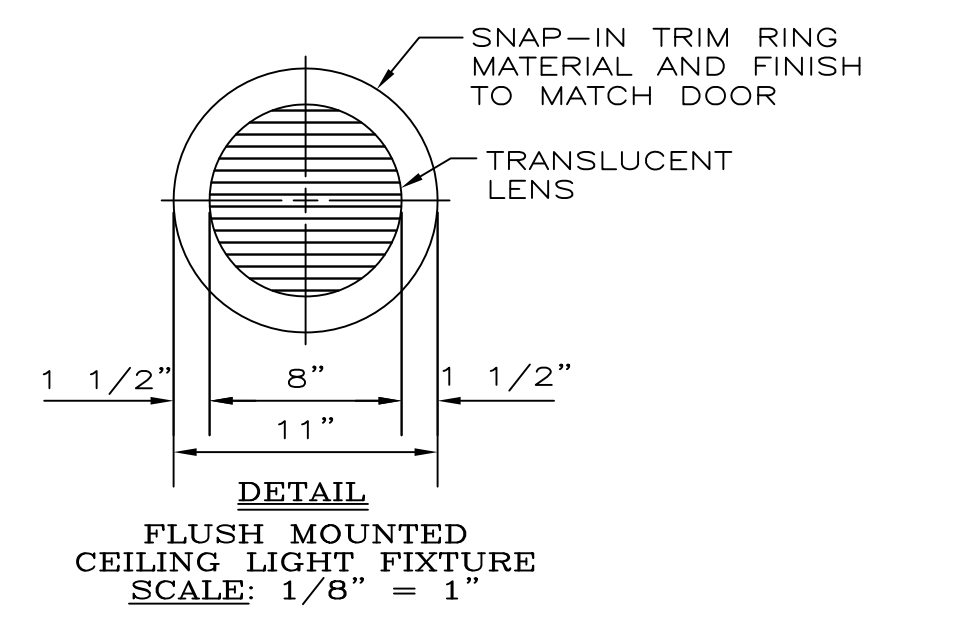
**HARDWARE SCHEDULE**

- OVERHEAD MANUAL SPEED CONTROL UNIT.
- FLOOR MOUNTED PIVOT BEARING ASSEMBLY.
- FULVIEW II PANIC PROOF BOOK-FOLD MECHANISM IN COMPLIANCE WITH ALL APPLICABLE REGULATIONS.
- LOCKS: SPECIAL REV. DOOR TYPE TWO (2) REQUIRED INSTALLED AT TOP RAILS OF TWO ADJACENT WINGS FOR INTERIOR LOCKING.
- CYLINDERS: STANDARD SIZE MORTISE TYPE, TWO (2) REQUIRED PER REV. DOOR UNIT, TO BE SUPPLIED BY OTHERS TO C.D.C. FOR SHOP INSTALLATION.
- PUSH BARS: 1" DIA. ALUMINUM, FINISH TO MATCH DOOR.
- CEILING LIGHTS: TWO (2) SPECIAL FLUORESCENT REV. DOOR TYPE, COMPLETE WITH LENS & SNAP-IN RING. FCBT9 CIRCLINE LAMP & 110 V.A.C. WIRING NOT BY C.D.C.

**INSTALLER NOTE:**  
BOOK-FOLD TENSION IS NOT PRESET; IT MUST BE ADJUSTED TO MEET BUILDING CONDITIONS.



**TYPICAL CYLINDER AND "STRAIGHT ARM" TYPE CAM REQUIRED SUPPLIED BY OTHERS FULL SIZE**  
NOTE: ADAMS-RITE CAM MAY BE SUBSTITUTED



NOTE: PRIOR TO FABRICATION, SHOP DRAWINGS AND FINISH SAMPLES MUST BE FULLY APPROVED AND RETURNED TO C.D.C.

<b>CRANE DORMA</b> REVOLVING DOORS™	
PHONE: 847-295-2700	FAX: 847-295-5288
SCALE: AS SHOWN	JOB NAME: XXX
DRAWN BY: JNP	REVISIONS:
FAB. CHECK:	LOCATION: PLEASE ADVISE
CHECKED BY:	ARCHITECT: PLEASE ADVISE
ORD. NO.:	CONTRACTOR: PLEASE ADVISE
DATE: 2009	SUB. CONTRACTOR: PLEASE ADVISE
	MFG. REPRESENTATIVE: PLEASE ADVISE
	HOW CHECK: X
	NOTES:
	DATE: 2009
	SHEET 1 OF 1
	DRAWING NO.: AL 2000 F