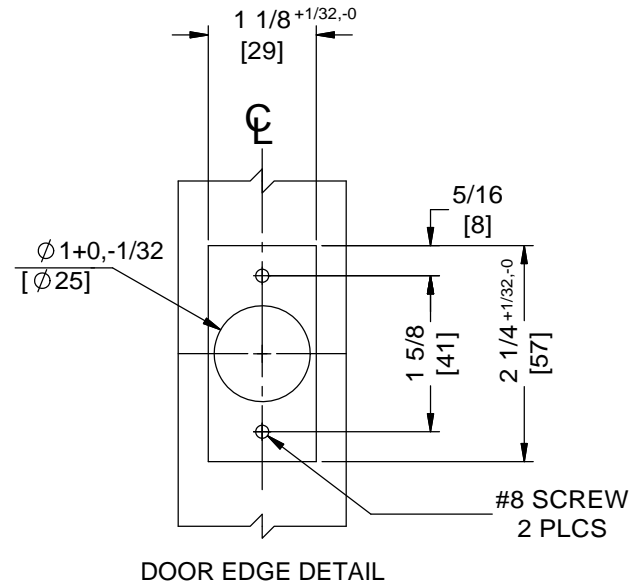
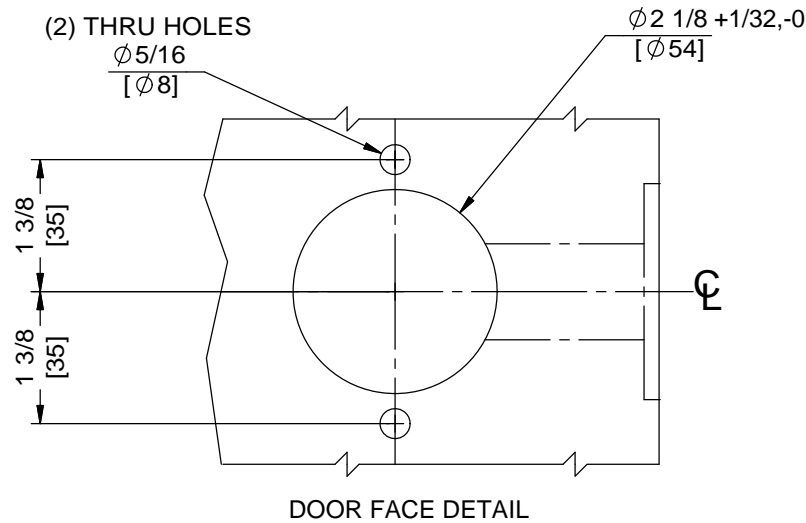
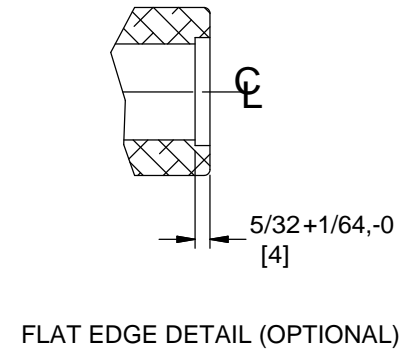
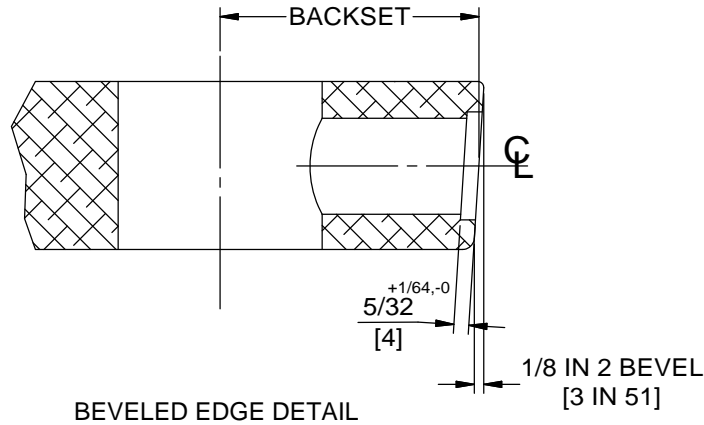


NOTES:

1. DIMENSIONS ARE IN INCHES/ [MM]
2. DO NOT SCALE DRAWING.



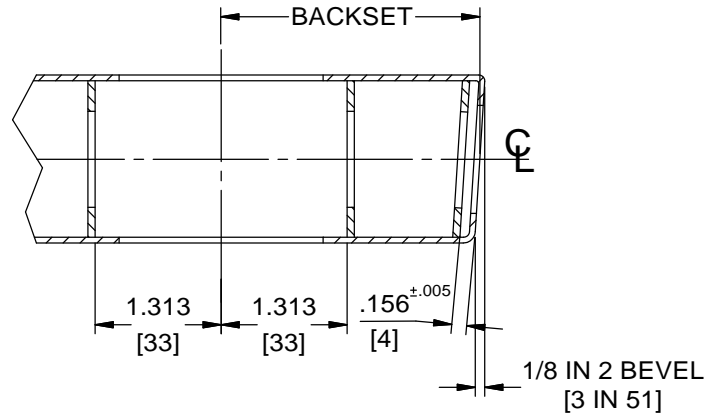
Wood Doors For:  
 C500, CL700, CL800 Series  
 Face Plate 1-1/8" Flat or Beveled



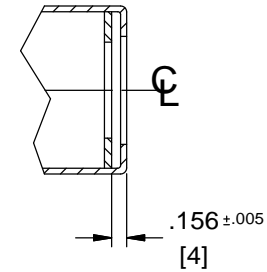
DORMA Architectural Hardware  
 Reamstown, PA 17567

NOTES:

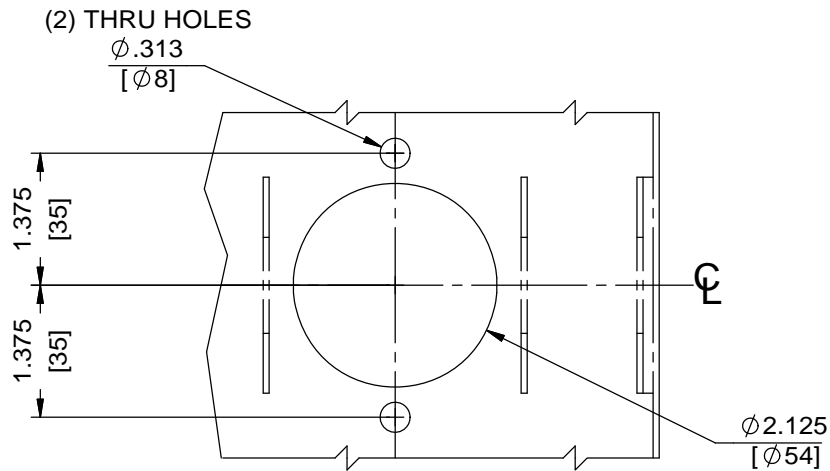
1. DIMENSIONS ARE IN INCHES/ [MM]
2. DO NOT SCALE DRAWING.



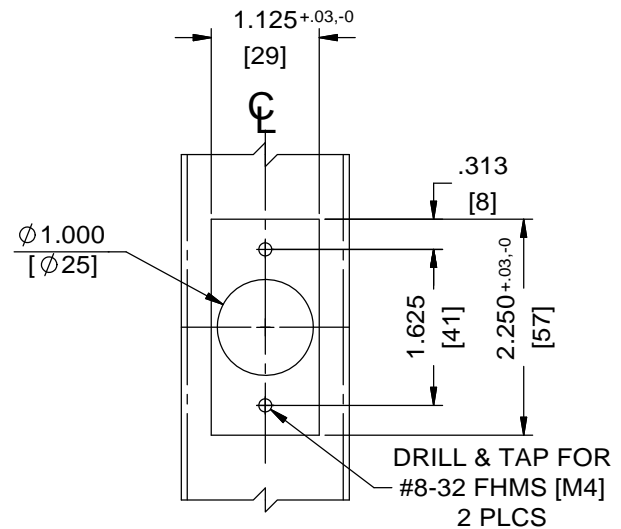
BEVELED EDGE DETAIL



FLAT EDGE DETAIL (OPTIONAL)



DOOR FACE DETAIL



DOOR EDGE DETAIL

Metal Doors For:  
 C500, CL700, CL800 Series  
 Face Plate 1-1/8" Flat or Beveled



DORMA Architectural Hardware  
 Reamstown, PA 17567