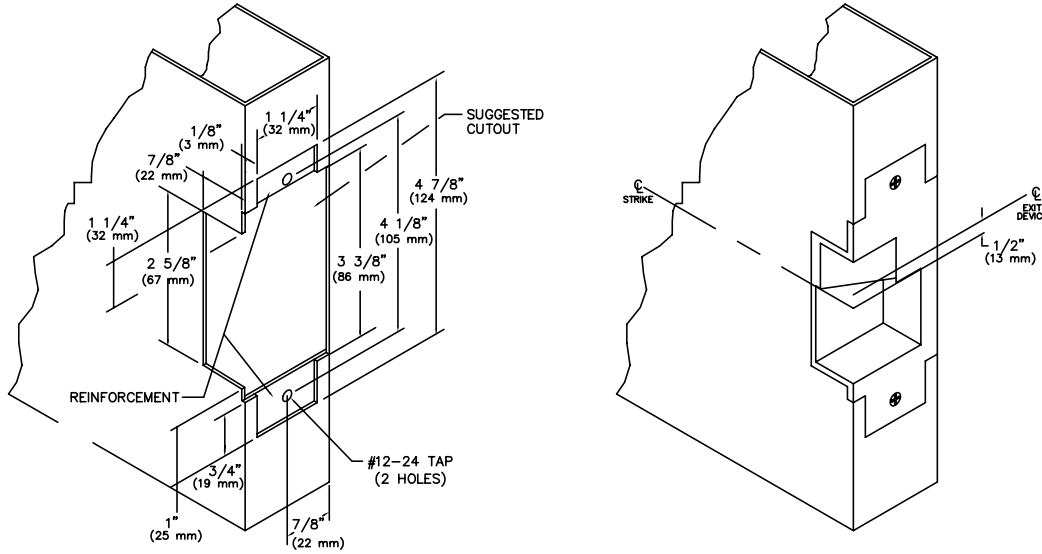


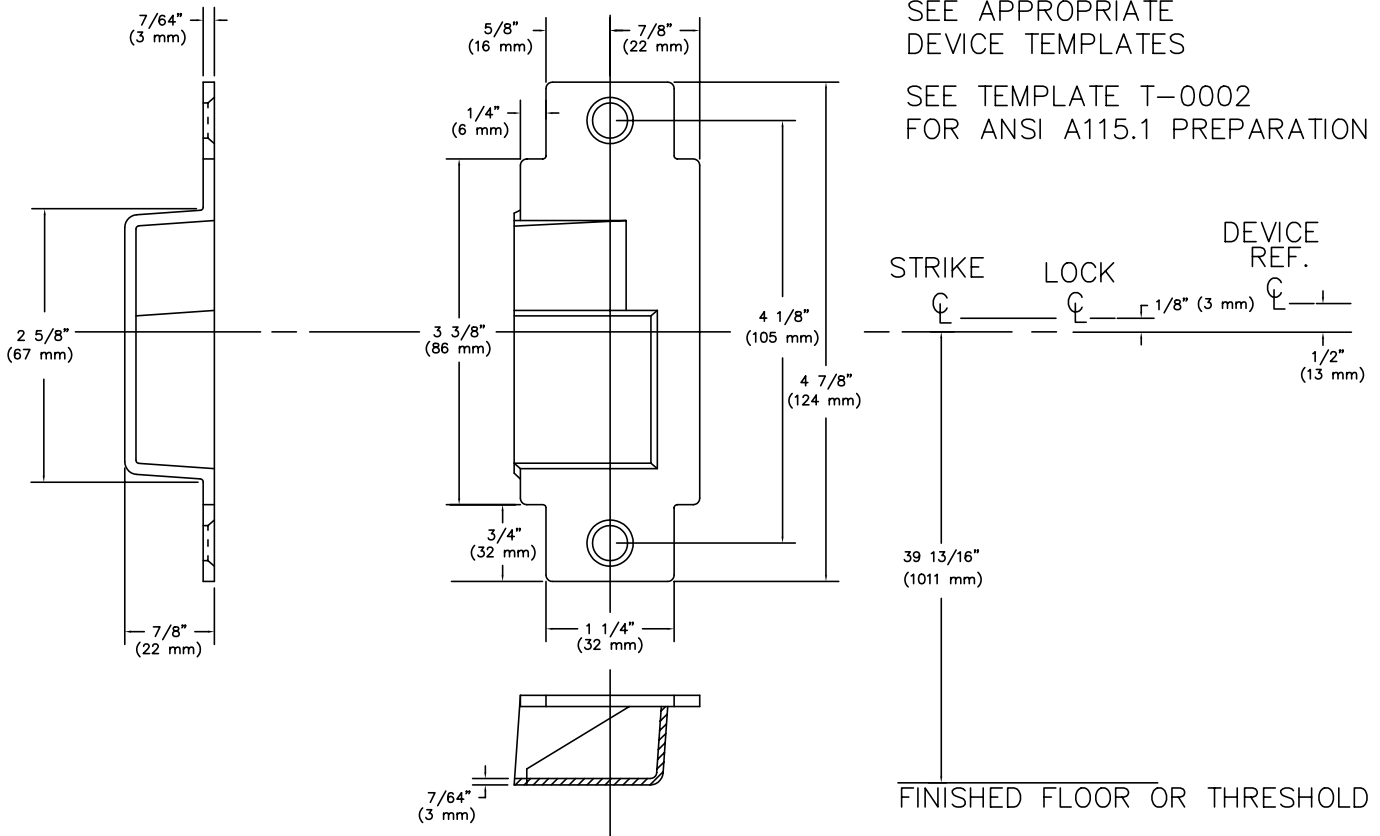
STRIKE PREP SHOWN
LHRB DEVICE; RHRB
OPPOSITE

STANDARD PREP



FOR DEVICE FUNCTION
SEE APPROPRIATE
DEVICE TEMPLATES

SEE TEMPLATE T-0002
FOR ANSI A115.1 PREPARATION



NOT TO SCALE

REV. No. 2

REVISION: ADD DIMENSION

DATE: 7-8-02



NO. 565 STRIKE
WHEN USED WITH 9500 SERIES
MORTISE TYPE EXIT DEVICES

TEMPLATE NUMBER
T-0116 ②