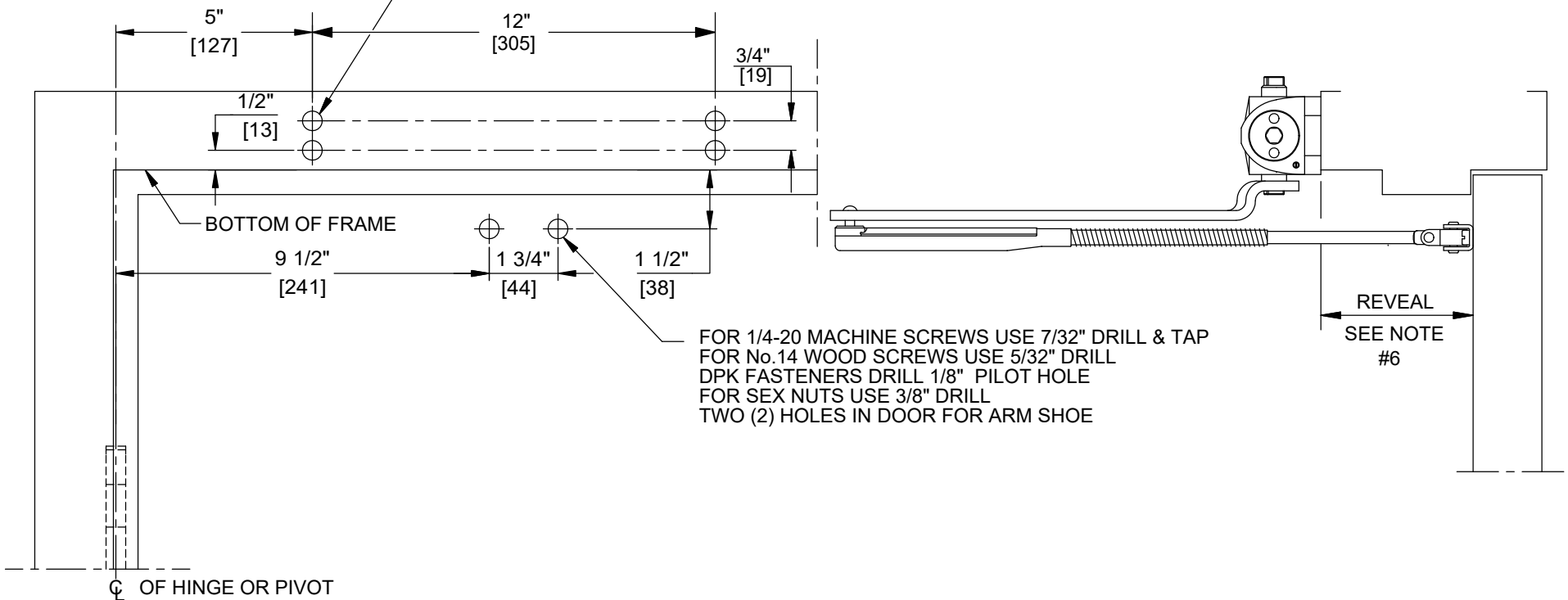


NOTES:

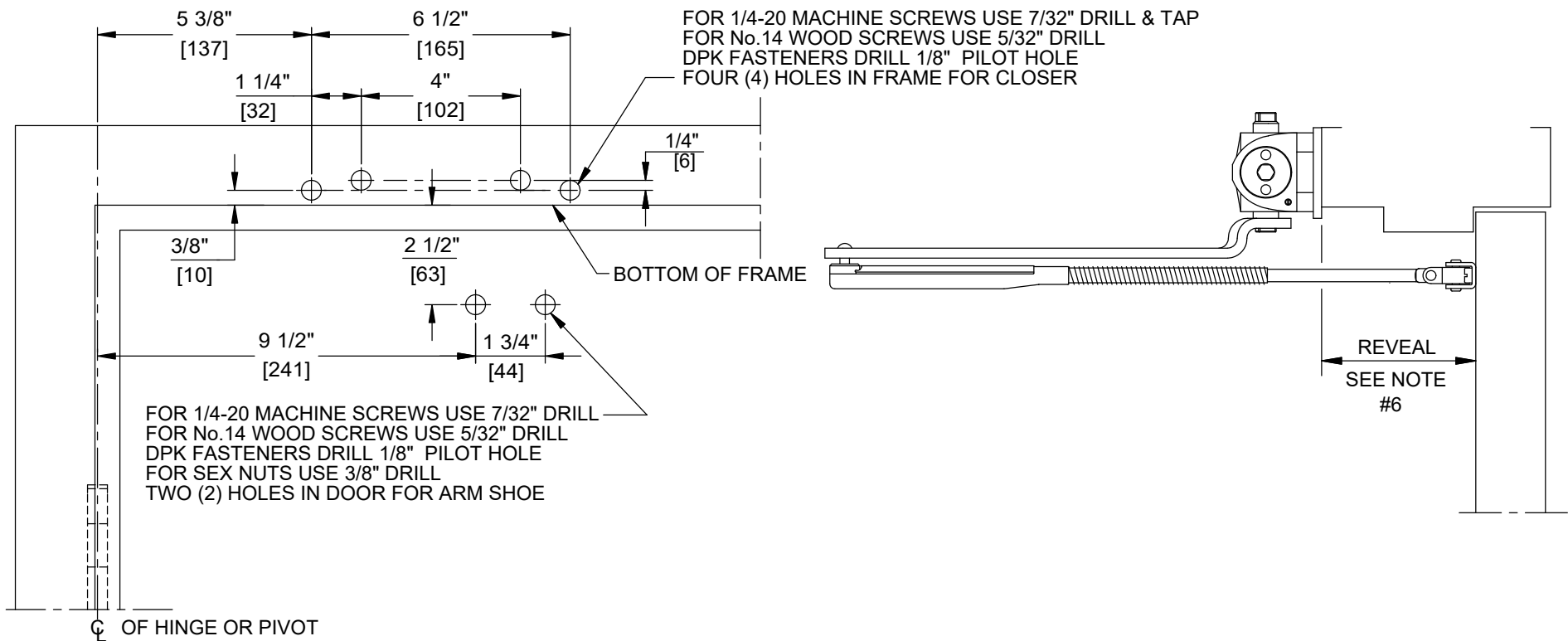
1. DO NOT SCALE DRAWING.
2. DIMENSIONS ARE IN INCHES/(MM).
3. LEFT HAND DOOR SHOWN.
4. CAUTION: SEX NUTS ARE REQUIRED FOR ATTACHMENT OF COMPONENTS TO UNREINFORCED DOORS AND TO WOOD OR PLASTIC FACED COMPOSITE TYPE FIRE DOORS, UNLESS AN ALTERNATIVE METHOD IS IDENTIFIED IN THE INDIVIDUAL DOOR MANUFACTURER'S LISTINGS.
5. MAX. OPENING IS 180°.
6. SEE CATALOG FOR REVEAL INFORMATION.
7. OPTIONAL DPK FASTENERS (DPK86) FOR STEEL DOOR & FRAME ONLY.

FOR 1/4-20 MACHINE SCREWS USE 7/32" DRILL & TAP  
 FOR No.14 WOOD SCREWS USE 5/32" DRILL  
 DPK FASTENERS DRILL 1/8" PILOT HOLE  
 FOUR (4) HOLES IN FRAME FOR CLOSER



NOTES:

1. DO NOT SCALE DRAWING.
2. DIMENSIONS ARE IN INCHES/(MM).
3. LEFT HAND DOOR SHOWN.
4. CAUTION: SEX NUTS ARE REQUIRED FOR ATTACHMENT OF COMPONENTS TO UNREINFORCED DOORS AND TO WOOD OR PLASTIC FACED COMPOSITE TYPE FIRE DOORS, UNLESS AN ALTERNATIVE METHOD IS IDENTIFIED IN THE INDIVIDUAL DOOR MANUFACTURER'S LISTINGS.
5. MAX. OPENING IS 180°.
6. SEE CATALOG FOR REVEAL INFORMATION.
7. OPTIONAL DPK FASTENERS (DPK86) FOR STEEL DOOR & FRAME ONLY.



DOOR CLOSER MODELS: 8616 A08J  
 TOP JAMB INSTALLATION (PUSH SIDE MOUNT)  
 WITH PLATES BP86, BP86FC