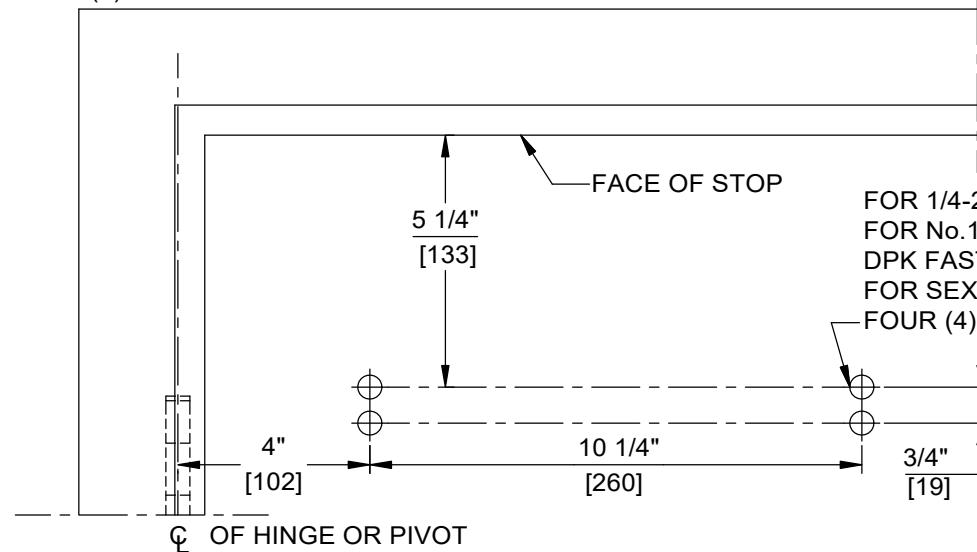


\*AS REQUIRED TO CLEAR STOP OR HOLDER

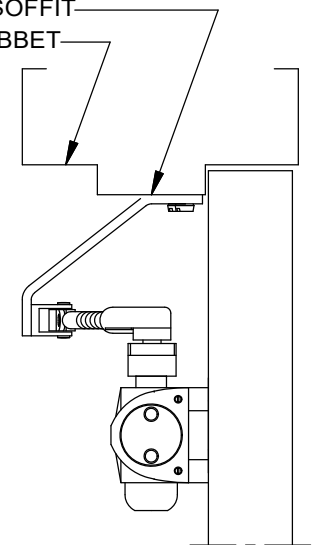
FOR 1/4-20 MACHINE SCREWS USE 7/32\" DRILL  
 FOR No.14 WOOD SCREWS USE 5/32\" DRILL  
 DPK FASTENERS DRILL 1/8\" PILOT HOLE  
 FOUR (4) HOLES IN FRAME FOR PA BRACKET



FOR 1/4-20 MACHINE SCREWS USE 7/32\" DRILL & TAP  
 FOR No.14 WOOD SCREWS USE 5/32\" DRILL  
 DPK FASTENERS DRILL 1/8\" PILOT HOLE  
 FOR SEX NUTS USE 3/8\" DRILL  
 FOUR (4) HOLES IN DOOR FOR CLOSER

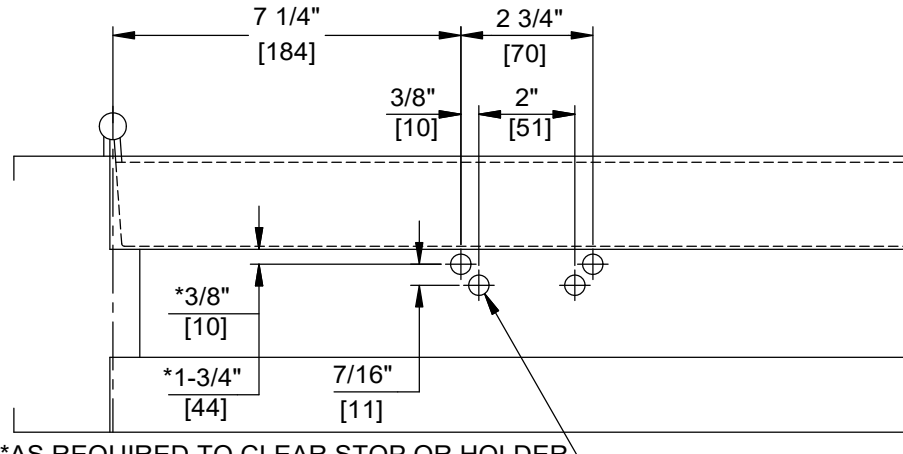
**CAUTION:** ALWAYS LOCATE CLOSER FROM SOFFIT BRACKET MOUNTING SURFACE

PD SOFFIT BRACKET SHOWN ON SOFFIT CAN ALSO MOUNT ON FRAME RABBET



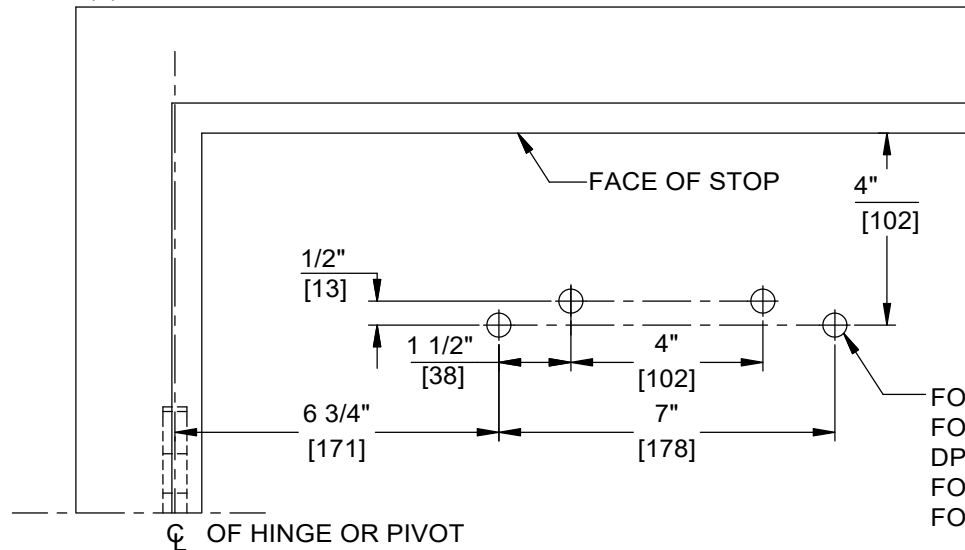
**NOTES:**

1. DO NOT SCALE DRAWING.
2. DIMENSIONS ARE IN INCHES/(MM).
3. LEFT HAND DOOR SHOWN.
4. CAUTION: SEX NUTS ARE REQUIRED FOR ATTACHMENT OF COMPONENTS TO UNREINFORCED DOORS AND TO WOOD OR PLASTIC FACED COMPOSITE TYPE FIRE DOORS, UNLESS AN ALTERNATIVE METHOD IS IDENTIFIED IN THE INDIVIDUAL DOOR MANUFACTURER'S LISTINGS.
5. MAX. OPENING IS 180°.
6. OPTIONAL DPK FASTENERS (DPK86) FOR STEEL DOOR & FRAME ONLY.



\*AS REQUIRED TO CLEAR STOP OR HOLDER

FOR 1/4-20 MACHINE SCREWS USE 7/32" DRILL  
 FOR No.14 WOOD SCREWS USE 5/32" DRILL  
 DPK FASTENERS DRILL 1/8" PILOT HOLE  
 FOUR (4) HOLES IN FRAME FOR PA BRACKET



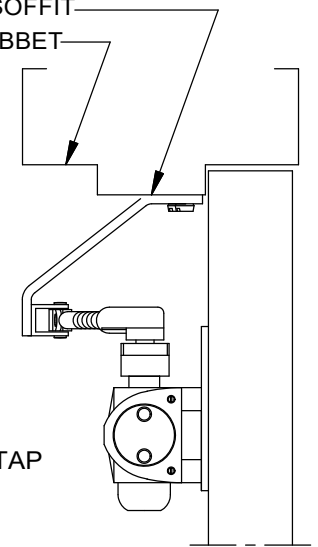
FOR 1/4-20 MACHINE SCREWS USE 7/32" DRILL & TAP  
 FOR No.14 WOOD SCREWS USE 5/32" DRILL  
 DPK FASTENERS DRILL 1/8" PILOT HOLE  
 FOR SEX NUTS USE 3/8" DRILL  
 FOUR (4) HOLES IN DOOR FOR PLATE

**NOTES:**

1. DO NOT SCALE DRAWING.
2. DIMENSIONS ARE IN INCHES/(MM).
3. LEFT HAND DOOR SHOWN.
4. CAUTION: SEX NUTS ARE REQUIRED FOR ATTACHMENT OF COMPONENTS TO UNREINFORCED DOORS AND TO WOOD OR PLASTIC FACED COMPOSITE TYPE FIRE DOORS, UNLESS AN ALTERNATIVE METHOD IS IDENTIFIED IN THE INDIVIDUAL DOOR MANUFACTURER'S LISTINGS.
5. MAX. OPENING IS 180°.
6. OPTIONAL DPK FASTENERS (DPK86) FOR STEEL DOOR & FRAME ONLY.

PD SOFFIT BRACKET SHOWN ON SOFFIT  
 CAN ALSO MOUNT ON FRAME RABBET

CAUTION: ALWAYS LOCATE CLOSER FROM SOFFIT BRACKET MOUNTING SURFACE



DOOR CLOSER MODELS: 7414, 7436 ARPD  
 PARALLEL ARM INSTALLATION (PUSH SIDE MOUNT)  
 WITH PLATES DP74, DP86, DP86FC