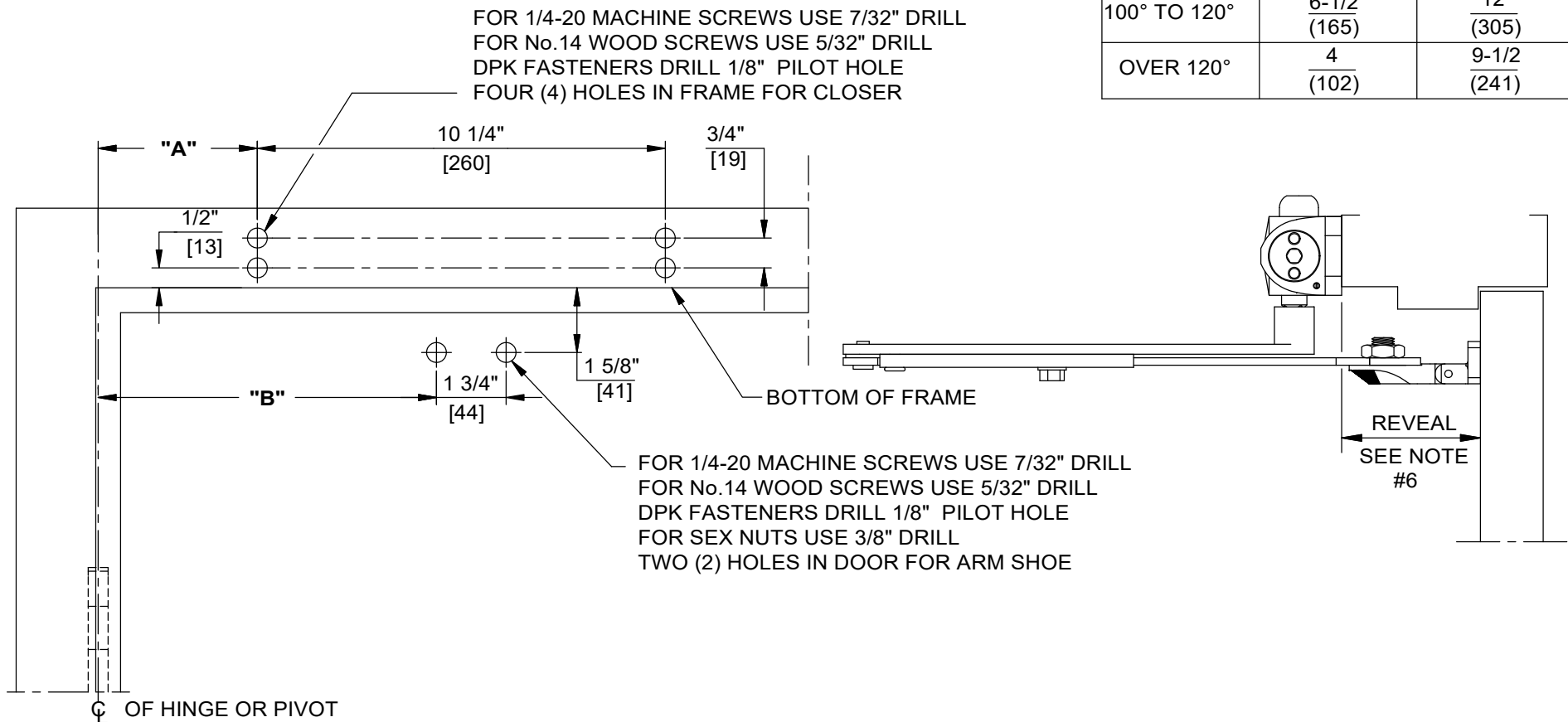


NOTES:

1. DO NOT SCALE DRAWING.
2. DIMENSIONS ARE IN INCHES/(MM).
3. LEFT HAND DOOR SHOWN.
4. CAUTION: SEX NUTS ARE REQUIRED FOR ATTACHMENT OF COMPONENTS TO UNREINFORCED DOORS AND TO WOOD OR PLASTIC FACED COMPOSITE TYPE FIRE DOORS, UNLESS AN ALTERNATIVE METHOD IS IDENTIFIED IN THE INDIVIDUAL DOOR MANUFACTURER'S LISTINGS.
5. MAX. OPENING IS 180°.
6. SEE CATALOG FOR REVEAL INFORMATION.
7. OPTIONAL DPK FASTENERS (DPK86) FOR STEEL DOOR & FRAME ONLY.

ANGLE OF OPENING	DIM. "A" CLOSER	DIM. "B" ARM SHOE
TO 100°	$\frac{8}{(203)}$	$\frac{13-1/2}{(343)}$
100° TO 120°	$\frac{6-1/2}{(165)}$	$\frac{12}{(305)}$
OVER 120°	$\frac{4}{(102)}$	$\frac{9-1/2}{(241)}$

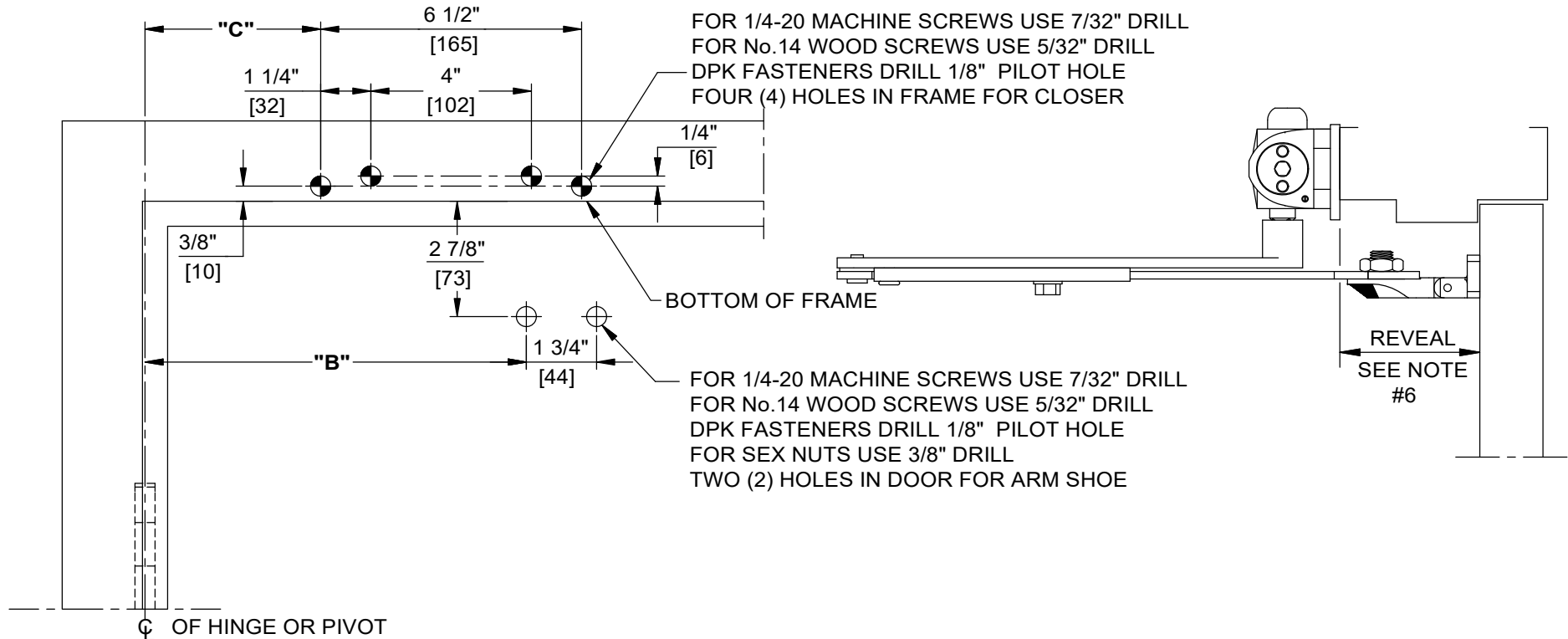


DOOR CLOSER MODELS: 7414, 7436 FHJ
 TOP JAMB INSTALLATION (PUSH SIDE MOUNT)

NOTES:

1. DO NOT SCALE DRAWING.
2. DIMENSIONS ARE IN INCHES/(MM).
3. LEFT HAND DOOR SHOWN.
4. CAUTION: SEX NUTS ARE REQUIRED FOR ATTACHMENT OF COMPONENTS TO UNREINFORCED DOORS AND TO WOOD OR PLASTIC FACED COMPOSITE TYPE FIRE DOORS, UNLESS AN ALTERNATIVE METHOD IS IDENTIFIED IN THE INDIVIDUAL DOOR MANUFACTURER'S LISTINGS.
5. MAX. OPENING IS 180°.
6. SEE CATALOG FOR REVEAL INFORMATION.
7. OPTIONAL DPK FASTENERS (DPK86) FOR STEEL DOOR & FRAME ONLY.

ANGLE OF OPENING	DIM. "B" ARM SHOE	DIM. "C" PLATE
TO 100°	13-1/2 (343)	8-3/8 (213)
100° TO 120°	12 (305)	6-7/8 (175)
OVER 120°	9-1/2 (241)	4-3/8 (111)



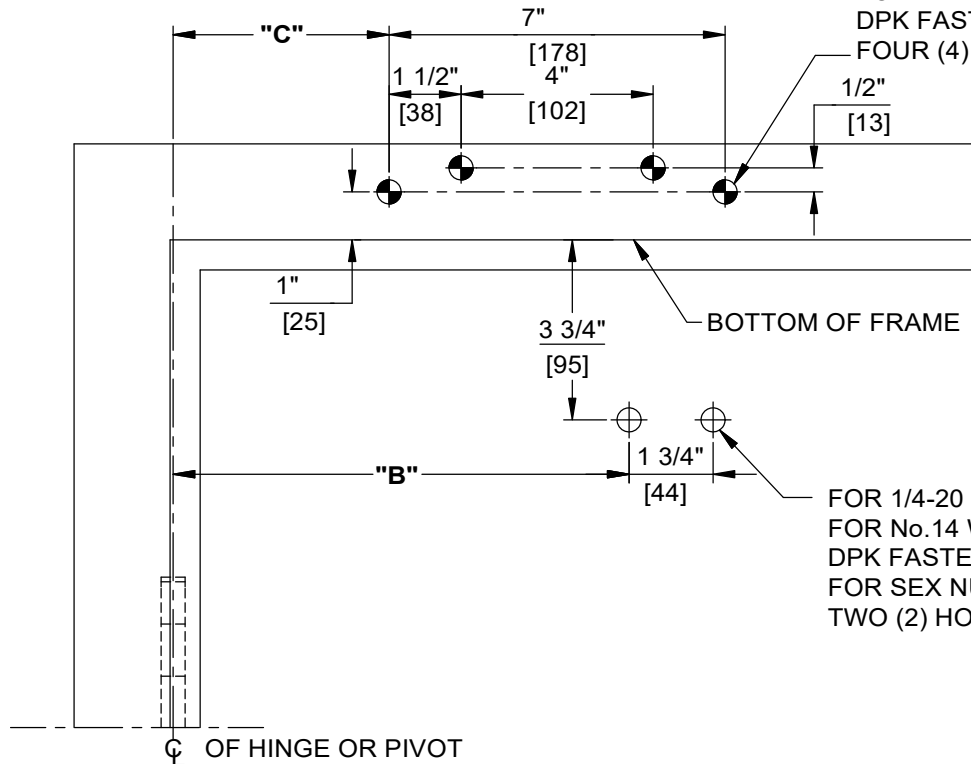
DOOR CLOSER MODELS: 7414, 7436 FHJ
 TOP JAMB INSTALLATION (PUSH SIDE MOUNT)
 WITH PLATES BP74, BP86, BP86FC

NOTES:

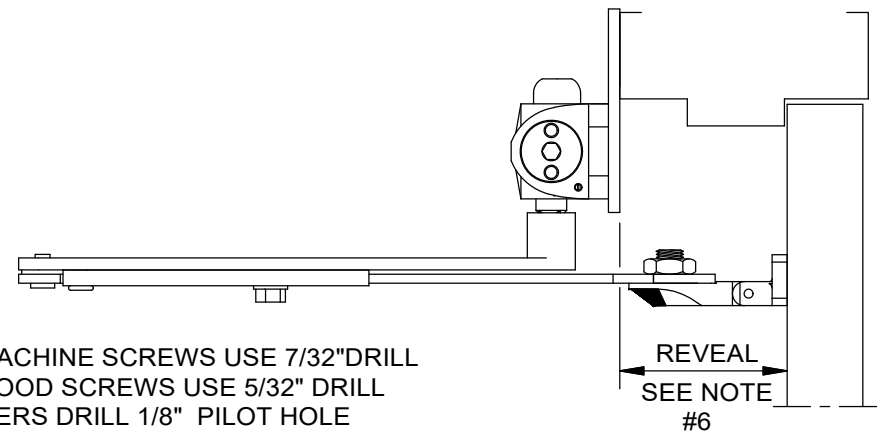
1. DO NOT SCALE DRAWING.
2. DIMENSIONS ARE IN INCHES/(MM).
3. LEFT HAND DOOR SHOWN.
4. CAUTION: SEX NUTS ARE REQUIRED FOR ATTACHMENT OF COMPONENTS TO UNREINFORCED DOORS AND TO WOOD OR PLASTIC FACED COMPOSITE TYPE FIRE DOORS, UNLESS AN ALTERNATIVE METHOD IS IDENTIFIED IN THE INDIVIDUAL DOOR MANUFACTURER'S LISTINGS.
5. MAX. OPENING IS 180°.
6. SEE CATALOG FOR REVEAL INFORMATION.

ANGLE OF DOOR OPENING	DIM. "B" ARM SHOE	DIM. "C" PLATE
0° TO 100°	$\frac{13-1/2}{(343)}$	$\frac{8-1/2}{(216)}$
100° TO 120°	$\frac{12}{(305)}$	$\frac{7}{(178)}$
OVER 120°	$\frac{9-1/2}{(241)}$	$\frac{4-1/2}{(114)}$

FOR 1/4-20 MACHINE SCREWS USE 7/32" DRILL
 FOR No.14 WOOD SCREWS USE 5/32" DRILL
 DPK FASTENERS DRILL 1/8" PILOT HOLE
 FOUR (4) HOLES IN FRAME FOR CLOSER



FOR 1/4-20 MACHINE SCREWS USE 7/32" DRILL
 FOR No.14 WOOD SCREWS USE 5/32" DRILL
 DPK FASTENERS DRILL 1/8" PILOT HOLE
 FOR SEX NUTS USE 3/8" DRILL
 TWO (2) HOLES IN DOOR FOR ARM SHOE



DOOR CLOSER MODELS: 7414, 7436 FHJ
 TOP JAMB INSTALLATION (PUSH SIDE MOUNT)
 WITH PLATES, DP74, DP86