



Door closer
for fire and
smoke rated doors

DORMA TS 89 F

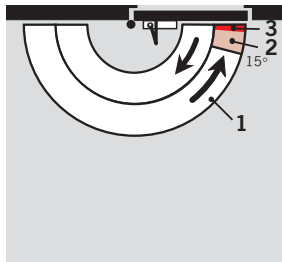
The DORMA TS 89 F has been specially designed as a universally applicable closer for fire and smoke rated doors. Its particularly sleek and compact body means

that there are virtually no fixing problems, and it offers all the dependability of quality assured manufacture.

Certified to ISO 9001

Plus points...

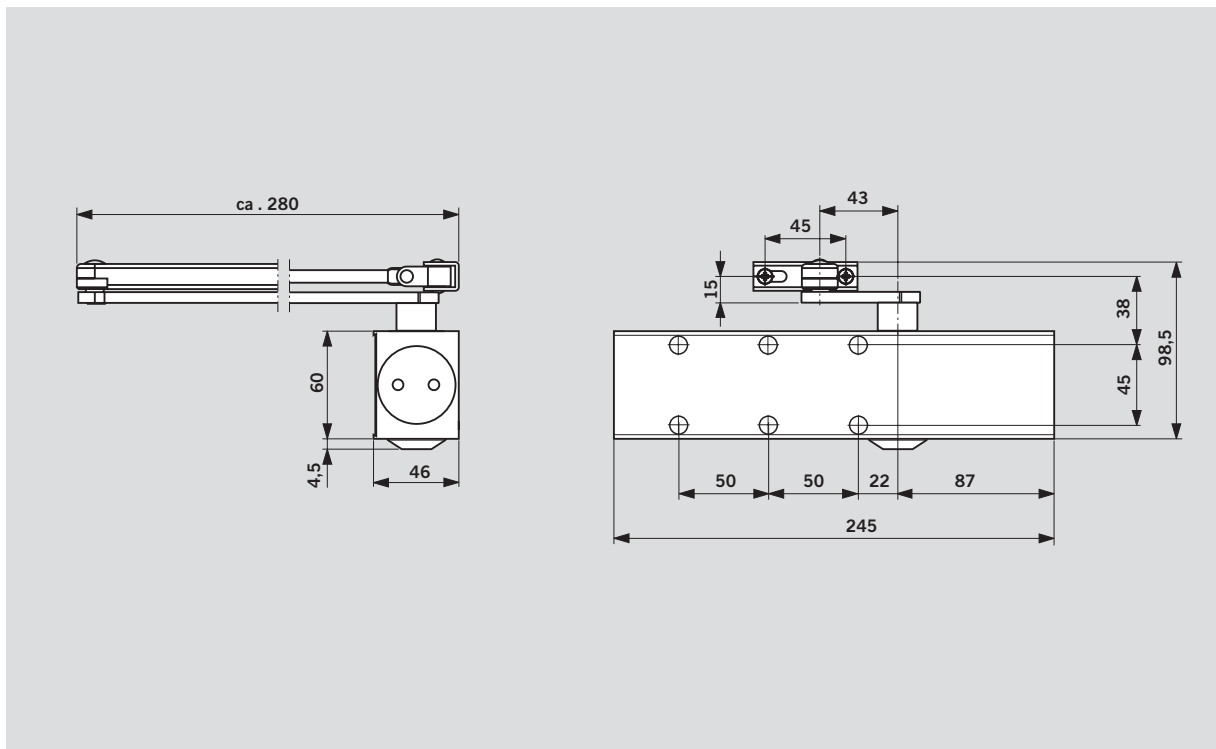
- Compact construction, timeless design.
- Fast and simple to install. Spring strength, closing speed and latching action easily altered.
- Non-handed.
- Reliable, safe and constant closing action with adjustable latching action.
- High mechanical efficiency for easy door operation.



- 1 Infinitely variable closing speed in the range 180° - 15°
- 2 Infinitely variable closing speed in the range 15° - 0°
- 3 Adjustable latch range (by arm)

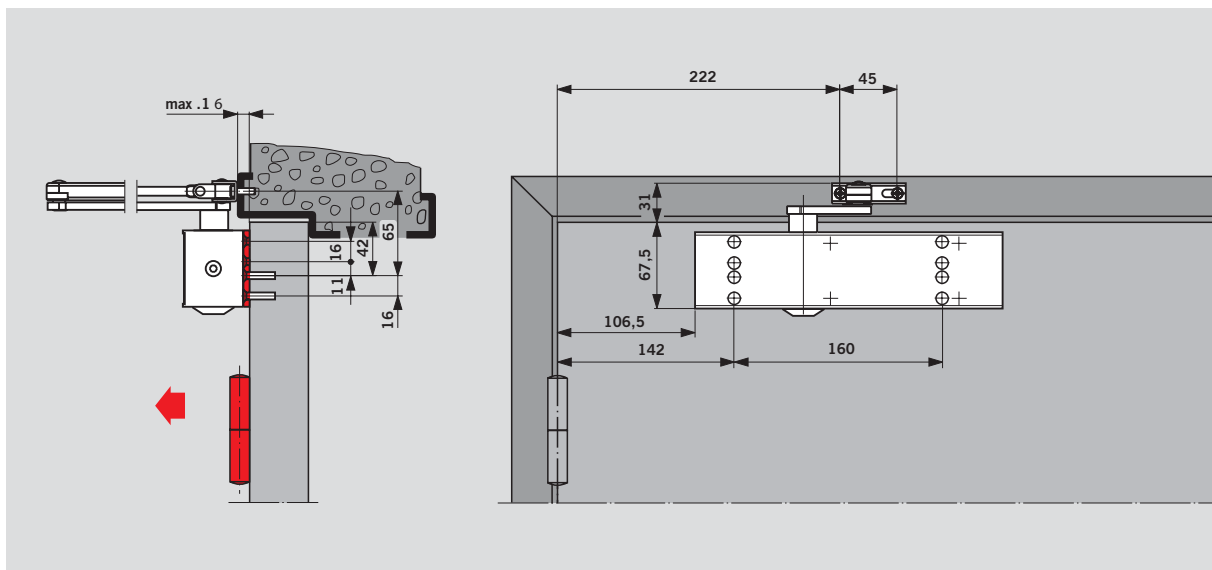
Data and features		TS 89 F
Spring strength adjustable	Size	EN 3-6
Fire and smoke rated doors	≤ 1400 mm	●
Non handed unit		●
Arm type	Standard	●
Spring strength variable by adjustment screw		●
Closing speed adjustable at 2 seperate valves	180° - 15°	●
	15° - 0°	●
Latching action variable at arm		●
Backcheck		-
Delayed action		-
Weight in kg. approx.		1,7
Dimensions in mm	Length	245
	Width	46
	Height	60
Door closer tested to EN 1154		●
CE marking for building products		●

● yes - no ○ option



Door leaf fixing with mounting backplate, pull side

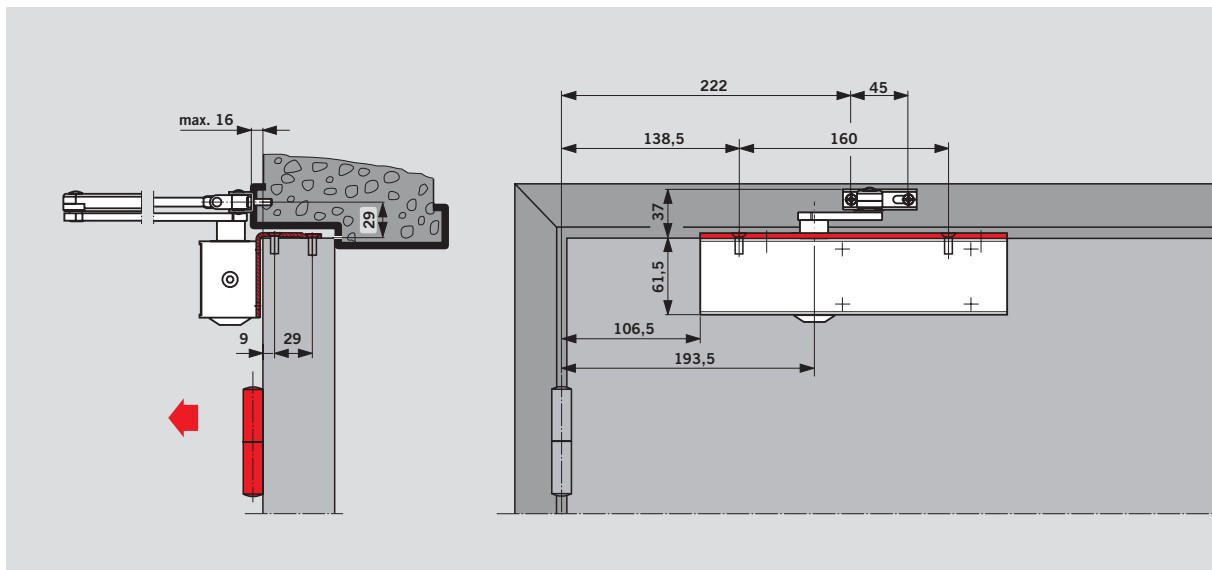
(All examples refer to left-hand/ISO 6 doors; mirrored arrangements apply to right-hand/ISO 5 doors)



Leaf fixing with angle bracket, pull side

Only suitable for flush-closing fire doors

(All examples refer to left-hand/ISO 6 doors; mirrored arrangements apply to right-hand/ISO 5 doors)



Specification text

DORMA TS 83 rack and pinion door closer for fire and smoke rated doors, with adjustable power size EN 3 – 6, according to EN 1154, carries the CE mark, closing speed adjustable in two independent ranges and adjustable latch action.
Non-handed.

Configuration

- with mounting backplate
- with angle bracket

Colour

- silver
- white (RAL 9016)
- special colour _____
(similar to RAL ____)

Make:

DORMA TS 89 F

Door Control Division worldwide

Central Europe

DORMA GmbH + Co. KG
Breckerfelder Str. 42-48
D-58256 Ennepetal
Tel. +49 23 33/7 93-0
Fax +49 23 33/7 93-495

Australia

DORMA Door Controls Pty. Ltd.
52 Abbott Road
Hallam/Victoria 3803
Australia
Tel. +61 3/97 96 35 55
Fax +61 3/97 96 39 55

China

DORMA Door Controls (Suzhou)
Co. Ltd.
No. 9, Hong Feng Road
Suzhou Singapore Industrial Park
Suzhou, 215021
P. R. of China
Tel. +86 512/67612481
Fax +86 512/67614582

DORMA Door Controls Pte. Ltd.
Room 701, Technology Plaza
651 King's Road
North Point
Hong Kong
Tel. +825/250 34632
Fax +825/288 75370

Emerging Markets

DORMA GmbH + Co. KG
Breckerfelder Str. 42-48
D-58256 Ennepetal
Tel. +49 23 33/7 93-0
Fax +49 23 33/7 93-495

DORMA Door Controls (Pty.) Ltd.
Kings Court, 4A Mineral Crescent
ZA-2000 Crown/Gauteng
South Africa
Tel. +27 11/8 30 02 80
Fax +27 11/8 30 02 91

Far East

DORMA Far East Pte. Ltd.
No. 31 Gul Lane,
Singapore 629425
Tel. +65 62 68/76 33
Fax +65 62 65/79 14

France

DORMA France S.A.S.
Europarc
42, rue Eugène Dupuis
F-94046 Créteil
Tel. +33 1/41 94 24 00
Fax +33 1/41 94 24 01

Gulf

DORMA Gulf Door Controls FZE
Jebel Ali Free Zone,
Roundabout 8,
Unit VC 02
Dubai, United Arab Emirates
Tel. +971 48/83 90 14
Fax +971 48/83 90 15

North America

DORMA Architectural Hardware
DORMA Drive, Drawer AC
Reamstown, PA 17567
Tel. +1-800-523-8483
Fax +1-800-274-9724

Scanbalt

DORMA Danmark A/S
Sindalvej 6 - 8
DK-2610 Rødovre
Tel. +45 44/54 30 00
Fax +45 44/54 30 01

South America

DORMA Sistemas de Controles
para Portas Ltda.
Av. Piracema, 1400
Centro Empresarial Tambore
CEP 06400 Barueri/
São Paulo, Brasil
Tel. +55 11/41 91 32 44
Fax +55 11/41 91 21 93

South-East Europe

DORMA AUSTRIA GmbH
Pebering Strass 22
A-5301 Eugendorf
Tel. +43 62 25/2 84 88
Fax +43 62 25/2 84 91

South Europe

DORMA Italiana S.r.l.
Via. A. Canova 44/46
I-20035 Lissone (MI)
Tel. +39 039/24 40 31
Fax +39 039/24 40 33 10
DORMA Ibérica, S.A.
Camino San Martin de la Vega, 4
E-28500 Arganda del Rey
(Madrid)
Tel. +34-91/8 75 78 50
Fax +34-91/8 75 78 81

UK/Ireland

DORMA UK Ltd.
Door Controls Division
Wilbury Way
Hitchin
Hertfordshire SG4 0AB
Tel. +44 14 62/47 76 00
Fax +44 14 62/47 76 01



www.dorma.com



Door Control



Automatic



Glass Fittings
and Accessories



Security/Time
and Access (STA)



Movable Walls



4 0 2 1 2 2 6 1 3 2 0 3 8 9