



BTS 80

BTS 75 V

BTS 75 R

Universal application, individual functions and assured quality

Whether standard, narrow or wide, whether LH, RH, or single or double action – dormakaba BTS 80 and BTS 75 floor springs are designed for all types of door.

A comprehensive program of accessories ensures that they can be used successfully with a wide variety of door constructions and floor coverings.

Thanks to a wide range of functions, which can be individually selected to suit different requirements, dormakaba BTS 80 and BTS 75 floor springs offer maximum reliability and quality.

Certified to ISO 9001.

Benefits

For the trade

- Reduced stock requirements because of separate, interchangeable spindles.
- Slim product range offering all key functions.

For the installer

- Suitable for installation with LH or RH single and double action doors.
- Interchangeable spindles enable easy adaptation to structural conditions-even when retrofitted.

For the architect/specifier

- Concealed installation for maximum visual elegance.
- All essential functions provided.
- Proven, robust design capable of withstanding leaf weights of up to 300 kg (BTS 80).

For the user

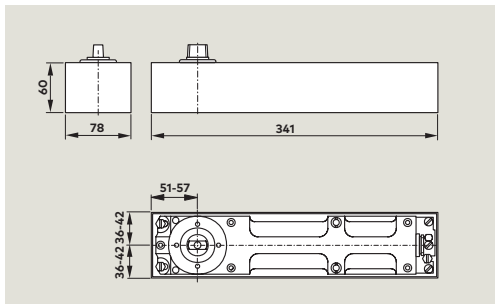
- Constant, temperature-independant closing cycle.
- Highly efficient mechanism gives maximum user convenience.

Data and features		BTS 80	BTS 75 V	BTS 75 R
Spring strength (EN)		3	4	6
Spring strength adjustment		–	–	–
Standard and external doors ¹⁾	≤ 950 mm	●	–	–
	≤ 1100 mm	–	●	–
	≤ 1250 mm	–	–	●
	≤ 1400 mm	–	–	●
Fire and smoke check doors		–	–	–
Max. leaf weight (kg)		300	120	160
Non-handed, suitable for single and double action doors		●	●	●
Closing speed adjustable by value	175° – 0°	●	–	–
	175° – 15°	–	●	●
	15° – 0°	–	●	●
Backcheck, mechanical		●	●	●
Delayed action adjustable by valve (selectable alternative to the hold-open feature)		●	–	–
Hold-open	Adjustable	●	–	–
	Fixed 90°	–	●	●
	Fixed 105°	–	●	–
Coverplate secure to	cement box	–	–	●
	floor spring	●	●	–
Weight in kg		7.1	3.0	3.1
Dimensions in mm	Length	341	285	285
	Width	78	82	82
	Height	60	50	50
Floor spring tested to EN 1154		●	●	●
CE-mark for building products (products with factory-fitted hold-open do not carry a CE mark)		–	●	●

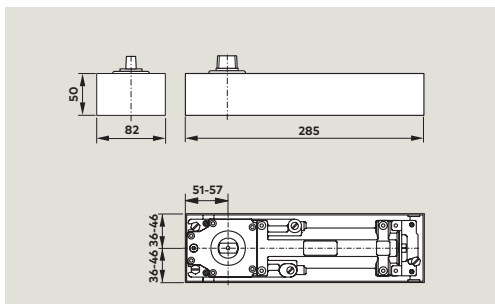
● yes – no

¹⁾ For particularly heavy doors and doors which have to close against wind resistance, we recommend the dormakaba BTS80.

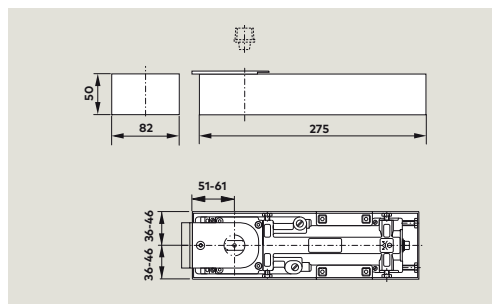
BTS 80



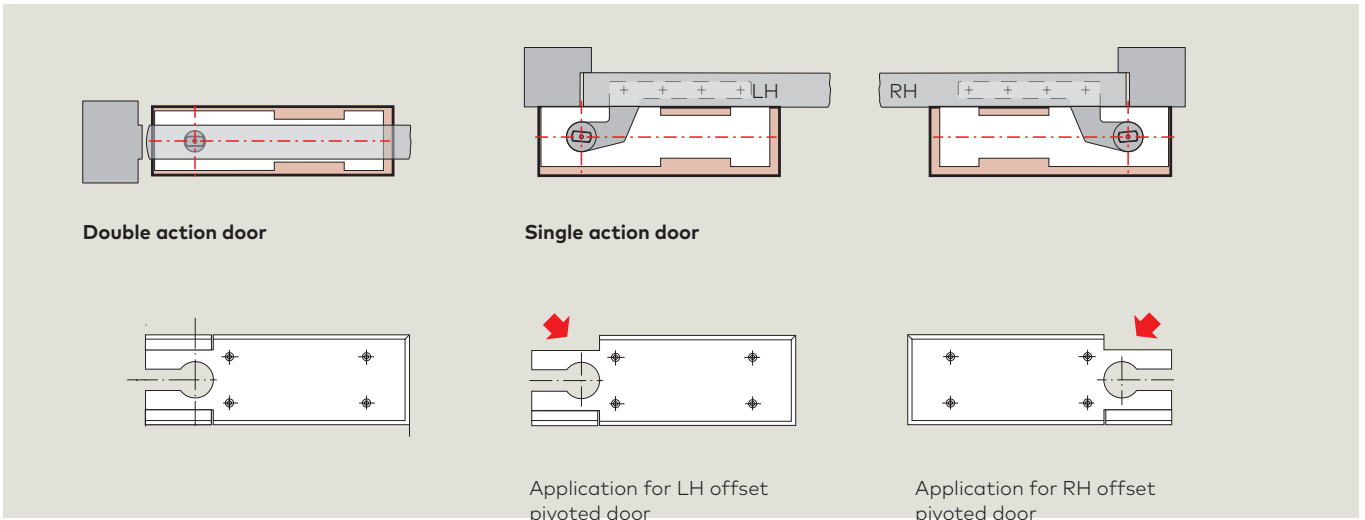
BTS 75 V



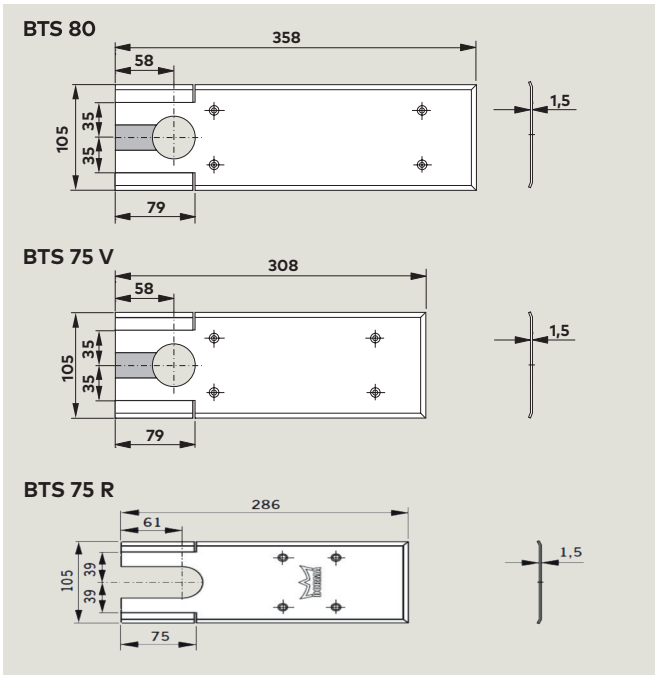
BTS 75 R



Application and Installation



Accessories

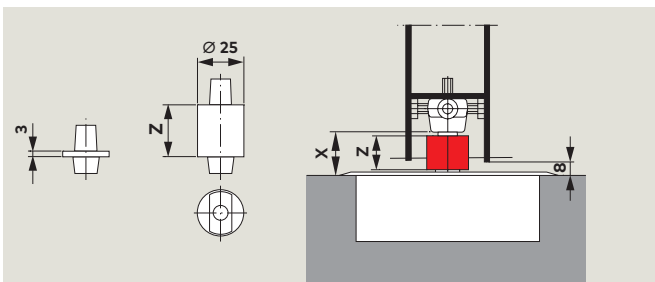


Universal cover plate

Adaptable to right or left hand single action applications by simply snapping off the appropriate pre-blanked corner sections. For double action doors, the corner sections remain in place. The universal cover plate is available in stainless steel or satin brass (material thickness 1.5 mm).

BTS75V (unit uses standard fixing cover plate)

BTS75 R (*unit uses clamp fixing cover plate)



Calculating the necessary length of spindle extension:
 Extension = **X** – Floor clearance (normally 8 mm)
 Collar height **Z** of the extended spindle inserts = Spindle extension length + 3 mm (collar height of the standard spindle insert)

Spindles



















A range of interchangeable spindles is available to provide greater floor clearance if required (e.g. doors with thresholds, carpeted floors etc). Special spindles available on application: e.g. with flat face profile and 3° offset or square section; spindles for non-dormakaba-specific accessories are also available.

dormakaba 2300 sealing compound

For filling cavities between the floor spring body and the cement box to protect against moisture penetration

Information about other accessories such as **door straps and top centres** can be found in the "Accessories for dormakaba BTS Floor Springs" leaflet

Standard equipment and accessories

BTS 80 floor spring	BTS 75 V floor spring	BTS 75 R floor spring	Spindles												2300 sealing compound			
																	0,5 kg	
			Standard	5	7,5	10	12,5	15	20	25	28	30	35	40	45	50		
			45200401	45200402	45200403	45200404	45200419	45200405	45200406	45200407	45200414	45200408	45200409	45200410	45200411	45200412		45090086

Including cement box and standard spindle

EN 3 80120000	EN 1-4 61701000		●	△	△	△	△	△	△	△	△	△	△	△	△	△	△	△
EN 4 80110000	EN 1-4 with hold-open at 90° 61701200		●	△	△	△	△	△	△	△	△	△	△	△	△	△	△	△
EN 6 80130000	EN 1-4 with hold open at 105° 61701300		●	△	△	△	△	△	△	△	△	△	△	△	△	△	△	△

Including cement box without spindle

EN 3 80120001	EN 1-4 61701001	EN 2-5 61855001	△	△	△	△	△	△	△	△	△	△	△	△	△	△	△	△
EN 4 80110001	EN 1-4 with hold-open at 90° 61701201	EN 2-5 61855201	△	△	△	△	△	△	△	△	△	△	△	△	△	△	△	△
EN 6 80130001	EN 1-4 with hold-open at 105° 61701301		△	△	△	△	△	△	△	△	△	△	△	△	△	△	△	△

Universal cover plate

46700000	46700059	46700060	Stainless steel		△
46700100	46700159	46700160	Satin brass		△

● Floor spring with spindle △ Accessories

Specification Text

BTS 80

Universal non-handed floor spring conforming to DIN EN 1154 for single and double action doors up to max.300 kg leaf weight.

With adjustable closing speed and closing action from approx. 175°, with hydraulically fully controlled closing cycle and backcheck. With integral pressure compensation feature for temperature-independent hold-open between 75° and 175° (removable). With adjustable hold-open start point and delayed action (end of delayed action range adjustable between 75° and 105°). Including cement box.

Size

- EN 3
- EN 4
- EN 6

Accessories

- Spindle
 - standard
 - ... mm extension
 - special design...
- Universal cover plate (1.5 mm thick)
 - stainless steel
 - satin brass
- Sealing compound

Make:

dormakaba BTS 80

BTS 75 V

Universal floor spring conforming to DIN EN 1154, non-handed unit suitable for LH and RH single and double action doors up to 120 kg leaf weight, with adjustable spring strength (size EN 1 – 4) and closing speed, with closing action operational from approx. 175°. Featuring hydraulically fully controlled closing cycle and backcheck. Including cement box.

Models

- With spindle
- Without spindle
- Fixed hold-open at 90°
- Fixed hold-open at 105°

Accessories

- Spindle
 - standard
 - ... mm extension
 - special design...
- Universal cover plate (1.5 mm thick)
 - stainless steel
 - satin brass
- Sealing compound

Make :

dormakaba BTS 75 V

BTS 75 R

Universal floor spring conforming to DIN EN 1154, non-handed unit suitable for LH and RH single and double action doors up to 160 kg leaf weight, with adjustable spring strength (size EN 2 – 5) and closing speed, with closing action operational from approx. 175°. Featuring hydraulically fully controlled closing cycle and backcheck. Including cement box.

Models

- Without spindle
- Fixed hold-open at 90°

Accessories

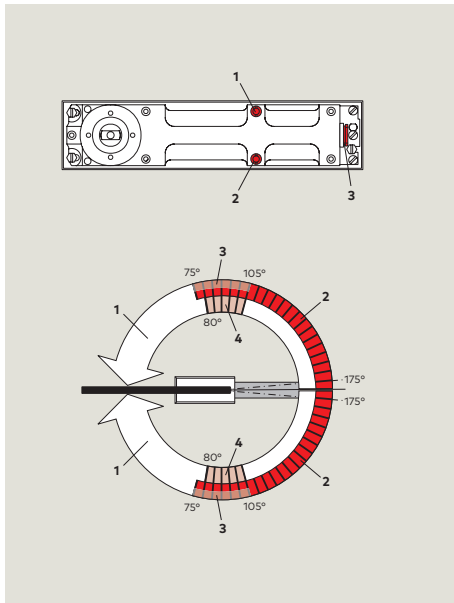
- Spindle
 - standard
 - ... mm extension
 - special design...
- Clamp fix cover plate (1.5 mm thick)
 - stainless steel
 - satin brass
- Sealing compound

Make :

dormakaba BTS 75 R

Standard and optional functions of the BTS 80

BTS 80



- 1 Adjustable closing speed
- 2 Hold-open range or delayed action range
- 3 Adjustment range – point at which hold-open begins, or end of delayed action range (approx. 75° to 105°).
- 4 Mechanical backcheck (from approx. 80°)

Hydraulic hold-open

The integrated hold-open function allows the door to be held open at any angle between 75° and 175°. The angle at which the holdopen function begins can be adjusted in the range of 75° to 105°.

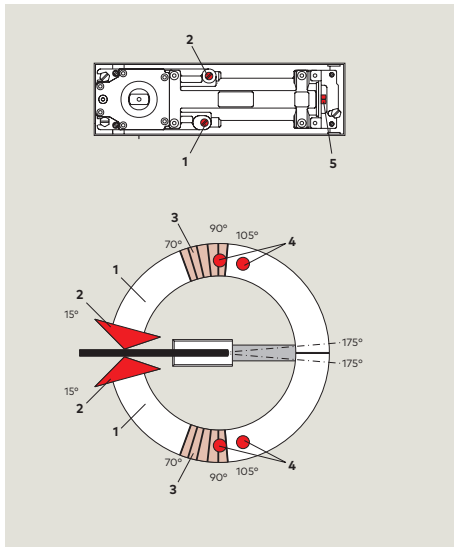
Backcheck

The integrated mechanical backcheck function protects the wall and door from damage caused by excessively vigorous opening.

Delayed action

The delayed action function slows the door closing speed, thereby allowing disabled persons, mothers with pushchairs, staff with trolleys or hospital gurneys etc. to pass through the door without problem.

BTS 75 V



- 1 Adjustable closing speed in the range 175° – 15°
- 2 Adjustable closing speed in the range 15° – 0°
- 3 Mechanical backcheck (from approx. 70°)
- 4 Fixed hold-open at 90° or 105° (option)
- 5 Adjustable spring strength (EN 1-4)

Closing speed

With two independently adjustable closing ranges (175° – 15° and 15° – 0°) the dormakaba BTS 75 V is ideally adaptable to different structural conditions.

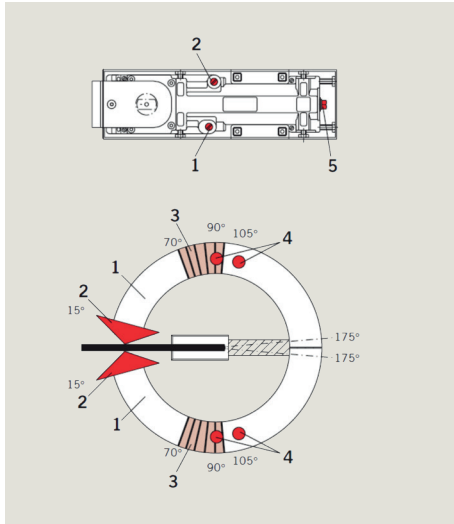
Backcheck

The integrated mechanical backcheck function protects the wall and door from damage caused by excessively vigorous opening.

Fixed hold-open (option)

With the fixed hold-open function the door can be held open at an angle of 90° or 105°, depending on model.
Not suitable for use on Fire doors.

BTS 75 V



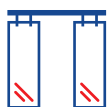
- 1 Adjustable closing speed in the range 175° – 15°
- 2 Adjustable closing speed in the range 15° – 0°
- 3 Mechanical backcheck (from approx. 70°)
- 4 Fixed hold-open at 90° (option)
- 5 Adjustable spring strength (EN 2-5)

Our products



Mechanical Key Systems

Systems that enable access rights and key control to all rooms within the premises



Interior Glass Systems

System solutions made from glass for a wide range of everyday and office applications



Lodging Systems

Hotel locks and locking systems as well as access management solutions for holiday homes



Electronic Access & Data

Electronic access control and workforce management for efficient access management, security and data collection



Door Hardware

Solutions for residential or commercial projects



Entrance Systems

Automated access solutions for convenient access to buildings



Safe Locks

Security locks for preventing unauthorized access to goods, valuables, information or hazardous substances



Services

Tailor-made services and customized maintenance for long-term functional integrity of access and security solutions

