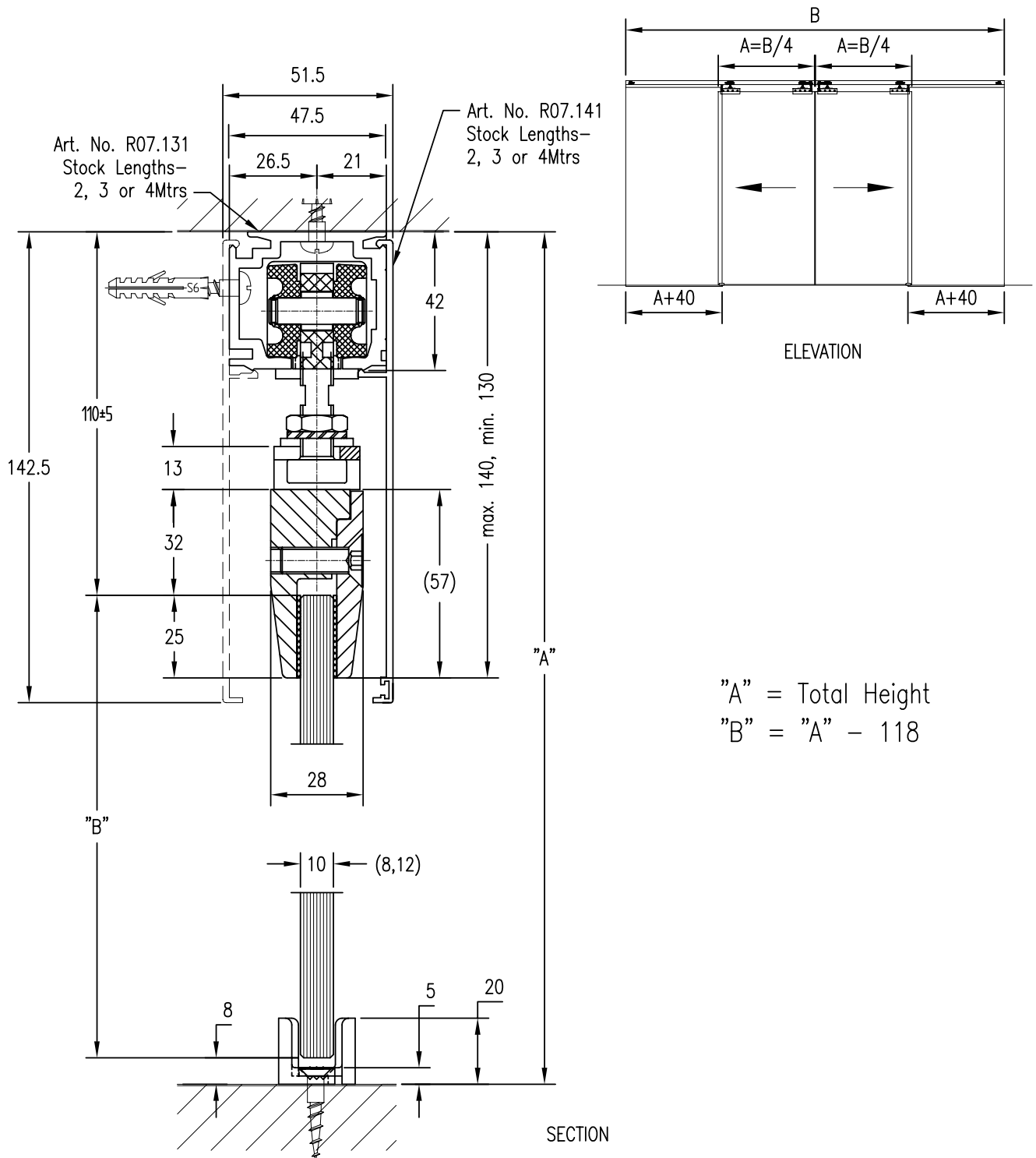


# SLIDING DOORS

## RS 120

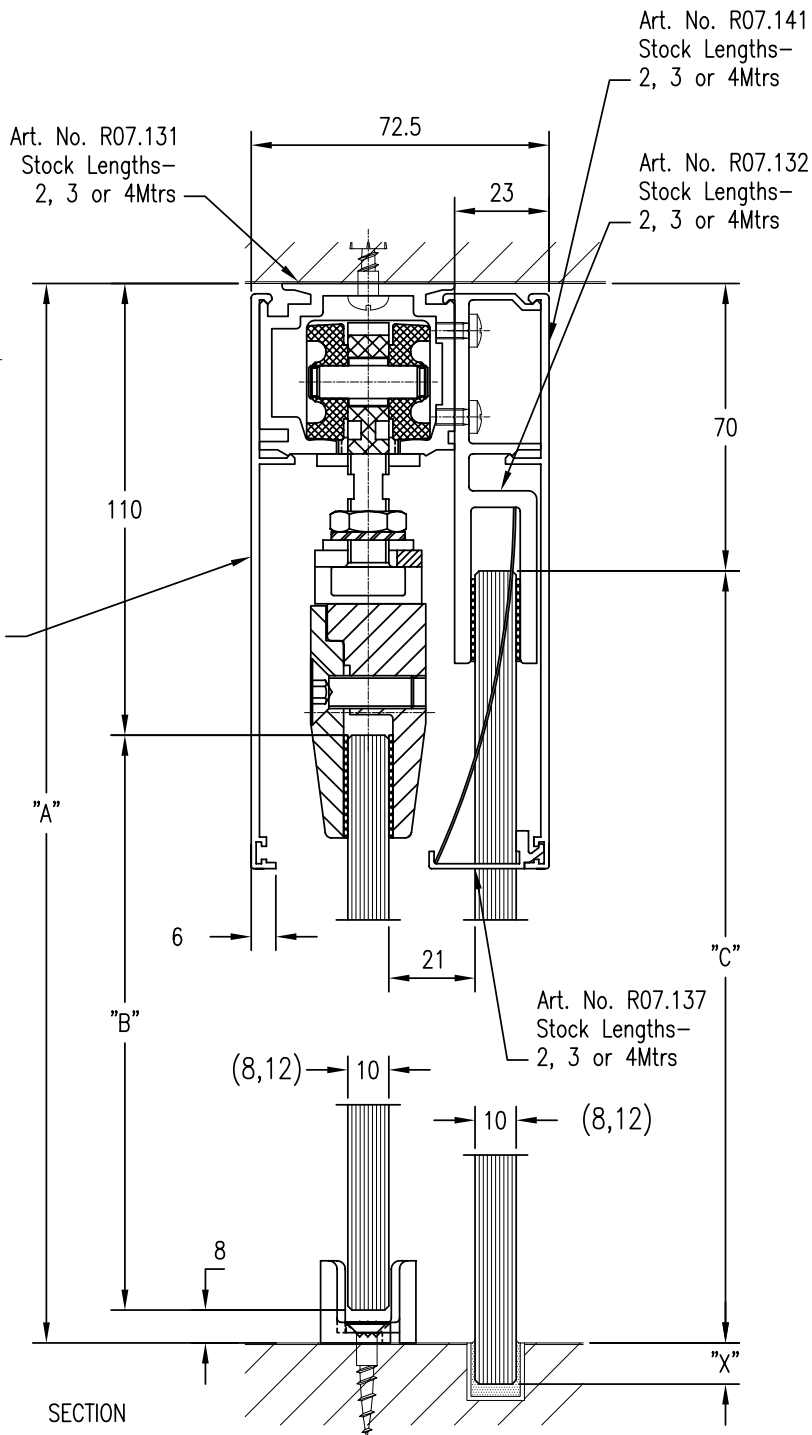
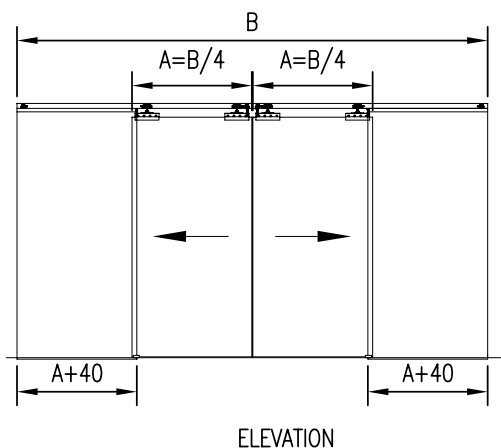


**RS 120 SPECIFICATION:** The RS 120 Sliding Door System is suited to Sliding Toughened Glass Doors between 8 and 12mm thick, up to 1450mm wide, and 120kg in weight. \*150kg on application  
Specify: R07.101 for a 1900mm o/a kit including Track, Rollers, Stops and Floor Guide to suit 1 door.  
Specify: R07.102 for a 2900mm o/a kit including Track, Rollers, Stops and Floor Guide to suit 1 door.  
Also available in 2000mm, 3000mm and 4000mm Lengths .

**FINISHES**  
ALUMINIUM: MILL, SAA

# SLIDING DOORS

## RS 120S/L



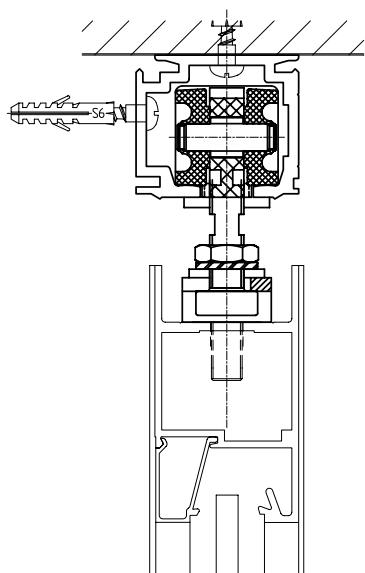
"A" = Total Height  
 "B" = "A" - 118  
 "C" = "A" - 70 + "X"

RS 120 INTEGRATED SIDELIGHT SPECIFICATION: The RS 120 Integrated Sidelight Sliding Door System is suited to Sliding Toughened Glass Doors between 8 and 12mm thick, up to 1450mm wide, and 120kg in weight. -150kg on application  
 Available in 2000mm, 3000mm and 4000mm Lengths.

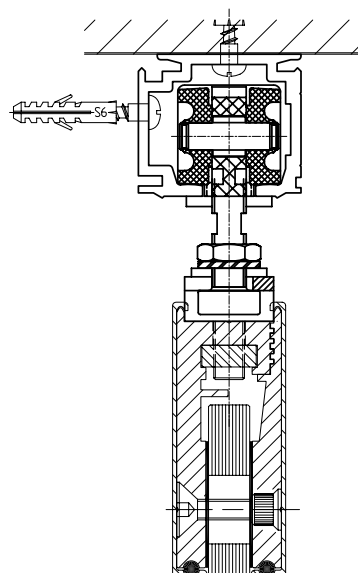
**FINISHES**  
 ALUMINIUM: MILL, SAA

# SLIDING DOORS

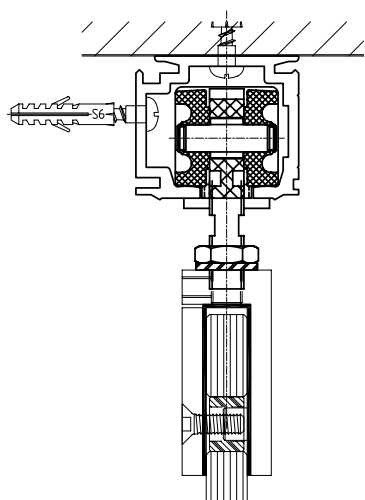
## RS 120 OPTIONS



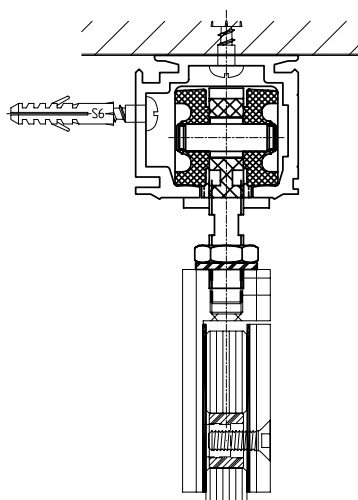
RS 120 with ALUMINIUM FRAMED DOOR (BY OTHERS)



RS 120 with CDS43S (REFER DRAWING 9.7)



RS 120 with CD161CS (REFER DRAWING 9.7)



RS 120 with CD262CS (REFER DRAWING 9.14 & 9.7)

RS 120 TRACK AND CARRIER OPTIONS: The RS 120 Sliding Door System can be used in conjunction with the above carrier configurations.