

**PART No.**

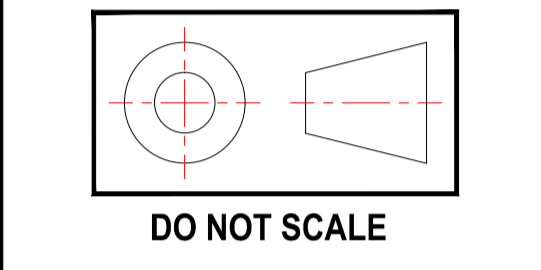
PROJECT:  
DESIGNED:  
CHECKED:  
APPROVED:  
DRAWN: L.R.HAJDU  
SCALE: 1:1  
DATE: 25-02-2013

○ WITHIN 0.01 ANY DIAMETER TO CENTER LINE  
⊥ WITHIN 0.01 ANY FACE TO CENTER LINE

ALL DIMENSIONS IN MILLIMETRES UNLESS OTHERWISE SPECIFIED  
TOLERANCES: ±0.1 UNLESS OTHERWISE SPECIFIED

MACHINING SURFACE FINISH: 3.2 UNLESS OTHERWISE SPECIFIED  
HEAT TREATMENT: NIL

REMOVE ALL BURRS, SHARP CORNERS AND PROCESSING RESIDUE DRAWN TO AS1100 DIMENSIONS IN MILLIMETRES



**DORMA**  
46 ABBOTT ROAD - HALLAM  
VIC 3803  
PO BOX 1035  
NARRE WARREN 3805  
AUSTRALIA  
FAX: (03) 9758 3767  
PHONE: (03) 9796 4111  
WEB SITE: www.dorma.com.au  
DORMA Automatics Pty. Ltd.

DORMA Automatics Pty. Ltd.  
INFORMATION SHOWN ON THIS DRAWING MAY ORIGINATE FROM OUTSIDE THE COMPANY. NO MANUFACTURE OR RE-SOURCING SHOULD BE MADE WITHOUT PRIOR CONSULTATION WITH THE MANAGER, ENGINEERING SERVICES.

THIS DOCUMENT CONTAINS CONFIDENTIAL INFORMATION WHICH MUST NOT BE COPIED WHOLLY OR IN PART, NOR DISCLOSED TO ANY PERSON WITHOUT OUR PRIOR AUTHORITY IN WRITING.  
© DORMA Automatics Pty. Ltd. 2002.

DISCLAIMER:-  
ALL ILLUSTRATIONS AND SPECIFICATIONS PRESENTED IN THIS DRAWING ARE A GUIDE ONLY FOR THE INSTALLATION OF DORMA AUTOMATIC DOOR OPERATORS. THESE ARE BASED ON THE LATEST PRODUCT INFORMATION AVAILABLE AT THE TIME. FOR ALL CASES, CALCULATIONS FOR THE STRUCTURAL PERFORMANCE AND SITE CONDITIONS MUST BE COMPLETED BY A QUALIFIED STRUCTURAL ENGINEER.

GENERAL NOTES:

OPERATOR MOUNTING HEIGHT = TOP OF MOUNTING PLATE TO FINISHED FLOOR LEVEL

FRAMED DOOR HEIGHT = OPERATOR MOUNTING HEIGHT - 97mm - 12mm (FLOOR CLEARANCE)

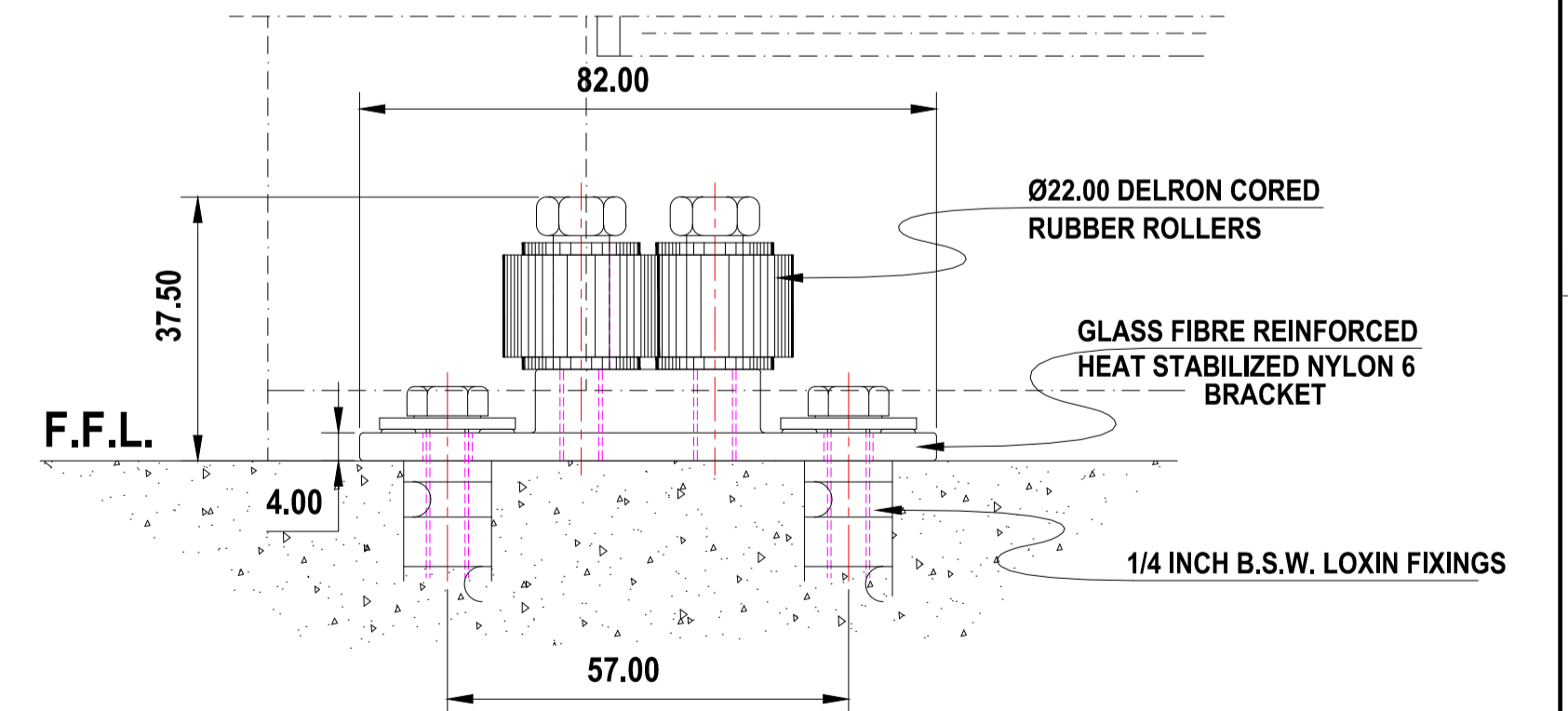
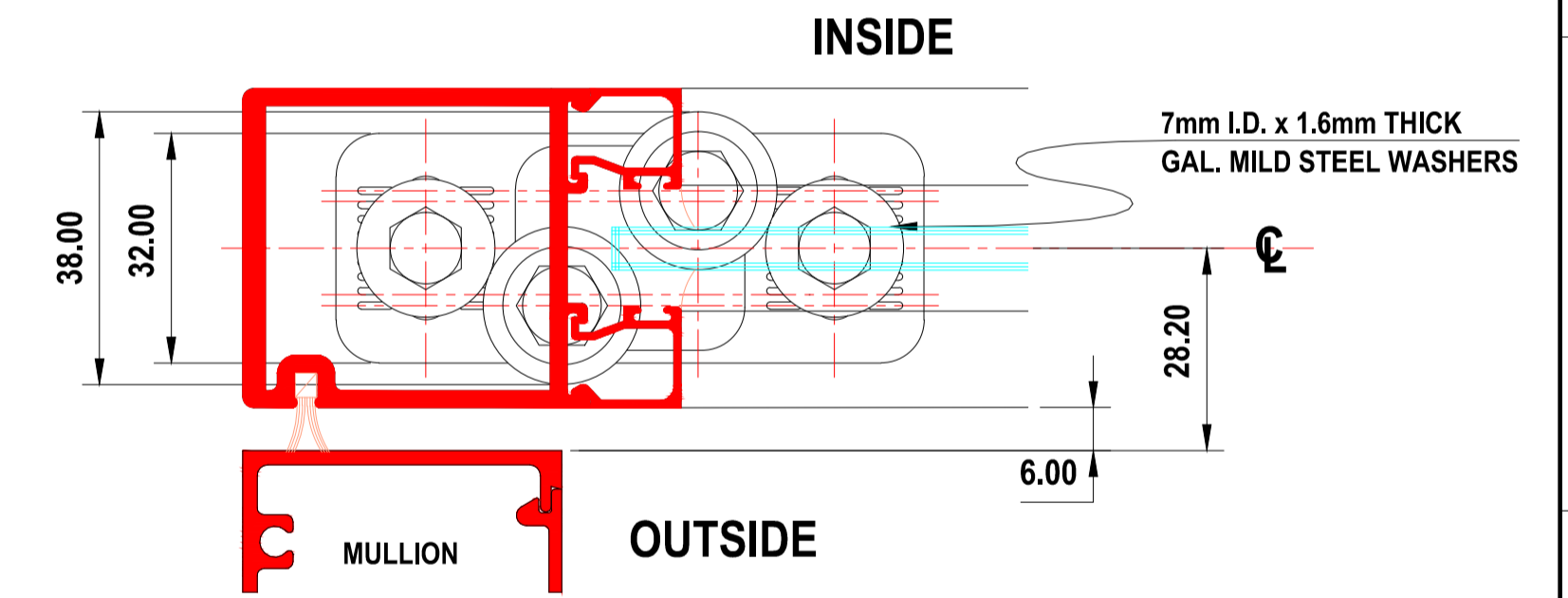
OUTSIDE

INSIDE

F.F.L.

F.F.L.

CLEAR OPENING HEIGHT



MATERIAL:	1	TITLE:	ES200 SERIES AUTOMATIC DOOR OPERATOR FRAMED DOORS - SA1	
FINISH:	1	DRG No:	206-01-000	REV.