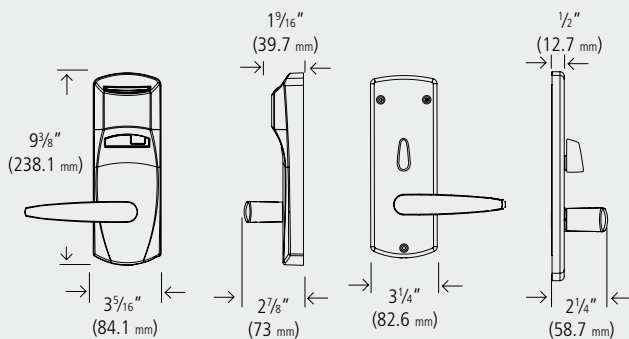


BEYOND SECURITY



ILCO 770 Series



Overview

Engineered for reliability and designed for style, the 770 Series door lock offers enhanced security and a sleek aesthetic. Each lock maintains an audit trail to create user accountability. The 770 works with both the web-based ATLASTM and the stand-alone portable Front Desk Unit (FDU).

Applications

- Suitable for small to very large scale hotels
- Easily replaces existing mechanical or electronic door locks
- Access control for guest rooms, common areas, and back-of-the-house

Security Features

- High security and tamperproof design
- 1" solid deadbolt (optional auto deadbolt)
- Emergency access: Emergency keycard, mechanical key and electronic override

Low Maintenance

- Insert reader slot is open so foreign objects are easily removed
- Batteries last up to 3 years
- Low battery indicator alerts staff
- Lock programming and audit are not erased during battery replacement
- Wear resistant construction and finish
- Upgradeable lock firmware

Mechanical Features

Description	Heavy duty electronic lockset with clutch mechanism and built-in magnetic stripe card reader (mortise or cylindrical)
Handing	Left or right factory handed mortise, field reversible handing (lever and mortise)
Lever	ADA compliant, outside lever free to rotate upward and downward in locked mode Lever clearance (space from end of lever to door): Long Lever: $\frac{3}{8}$ " (9.5mm) Short Lever: 2" (51mm) Elevon & Gala Levers: 2" (58mm)
Concealed Key Override (optional)	ILCO KIK Core (keyed-alike, master keyed, recodable) Best small IC adaptor
Deadbolt	1" (25 mm) (for ASM mortise) or 2 1.4 mm (for ESM mortise) solid metal, projected by inside thumbturn and retracted with the latch by the interior handle, emergency override or specific staff keycards. Optional auto deadbolt available
Door Thickness	From 1 $\frac{3}{8}$ " to 2 $\frac{1}{2}$ " (35mm to 66mm)
Shipping Weight	8.5 lbs (3.8 kg)
Housing Construction	Cast zinc alloy (outside housing levers and thumbturn), stainless steel inside housing
Standard Finishes	Satin chrome, satin brass and supreme finish for ocean front applications
Standard Backset	2 $\frac{3}{4}$ " (70mm) backset, 2 $\frac{3}{8}$ " (60mm) backset also available for cylindrical lock
Locking Options	ANSI lock case with 1 $\frac{1}{2}$ " or 1" lock front mortise. Optional automatic deadbolt Cylindrical latch (2 $\frac{3}{8}$ " or 2 $\frac{3}{4}$ " backset) European lock case mortise (20 x 165 mm) with round (20 or 23 x 235 mm) or square (20 x 235 mm) lock front mortise

Batteries

Alkaline	3 AA batteries for up to 50,000 openings or up to 3 years (based on 10 openings per day). Low battery indicator: alerts staff that batteries need to be changed soon
----------	--

Lock Operation

Date/Time Stamp	Real time: date and hours/minutes
Programming and Audit Trail Downloading	Using Kaba M-Unit or FDU
Pre-registered Keycards	Up to 10 days in advance
Keycard Expiry	From 1 hour to 7 years, depending on type and setup
Passage Mode	Set by authorized keycard
Lockout Mode	Set by authorized keycard
Keycards Accepted	Low coercivity, track 1, 2 or 3 magnetic stripe cards that comply with ISO standard dimensional specifications. Hi-Coercivity (2700 oresteds), track 3
Feedback	"Dual sensory" audible and visible indicators
Diagnostics	Built-in battery voltage meter and lock version display
Audit Memory	Last 200 transactions
Disability Feature	Extended unlock time (4 seconds standard, 15 seconds for disability)
Privacy Override	By guest keycard user selectable

Certification and Testing

Accessibility Standard	ADA compliant levers (Code of Federal Regulations 28 CFR Part 36 – 1994 "ADA Standards for Accessible Design")
BHMA/ANSI	Certified to be compliant with Grade One performance tests for "ANSI/BHMA A156.13-2005 Standard for Mortise Locks and Latches," and "ANSI/BHMA A156.25-2007 Standard for Electrified Locking Devices." (only locks tested and approved by non-biased third-party test lab are allowed in the "BHMA Certified Products Directory" found at www.buildershardware.com)
Fire Rating	Listed for pre-prepared manufactured doors and certified for retrofitting on existing doors by Underwriters Laboratories for use on fire doors having up to a three-hour rating. U.L. Certification: "Accessories for Single-point Locks and Latches and Fire Exit Hardware." Evaluated in accordance with UL 10B and UL 10C. U.L. Listing: "Electrically Controlled Single-point Locks and Latches." Evaluated in accordance with UL 10B and UL 10C. Also classified in accordance with Uniform Building Code Standard 7-2, "Fire Test of Door Assemblies" (1997)
Electronics	FCC Part 15 Class A and CE directive 89/336/EEC compliant
Environmental Operating Conditions	-31oF to 151oF (-35oC to 66oC) 0% to 85% non-condensing humidity at 86oF (30oC)
Florida Building Code	Approved in the exterior door category (exterior door components). Code of approval is FL13061

Warranty

Standard Factory	Two years
Extended Warranty	Kaba Service Plans (Platinum, Gold, Silver)

Kaba

www.kabalodging.com

ILCO: 1.877.468.3555 +1.514.735.5410

www.ilcostore.com

M3565_09_15