

E-Plex® Entry/Egress Specifications

E-Plex®

5086/5286/5686/5786

FEATURES

Access Control: Electronic pushbutton/card lock provides combination access control for both interior and exterior sides of door. Eliminates problems and costs associated with issuing, controlling and collecting keys and cards. Provides exterior access control for multiple users using specific PINs (Personal Identification Numbers)—**E-Plex 5086** and **5286** and/or Cards (PROX—**E-Plex 5786** or DESFire®, MIFARE® and iCLASS®—**E-Plex 5686**).

Locking Device: ASM, American Standard Mortise with 1 1/4" (32 mm) face plate

Number of Users: **E-Plex 5086**—100 Access Codes; upgrades to 300 Access Codes with optional software
E-Plex 5286—3,000 Access Codes with *required* software
E-Plex 5686 and **5786**—3,000 Access Users; (300 using LearnLok™ feature)

Audit Capability: **E-Plex 5086**—9,000 Events with optional software
E-Plex 5286—30,000 Events with *required* software
E-Plex 5686 and **5786**—30,000 Events

Programming: **E-Plex 5086**—Locks are programmed via keypad or with optional Microsoft® Excel®-based software—simplifies management of doors and users as facility's number of users and access points grow
E-Plex 5286—Locks are programmed via required E-Plex Enterprise Software (not included)—provides easy management of doors and users
E-Plex 5686 and **5786**—Locks are programmed via keypad with LearnLok feature or via optional E-Plex Enterprise Software (not included)

Key Override: Key-in-lever cylinders, small format interchangeable cores, large format removable cores

Scheduling: **E-Plex 5286, 5686, and 5786 Access Schedules**—Up to 16 different access schedules may be programmed into reader.
Holiday/Vacation—Up to 32 different holiday/vacation blocks may be programmed into reader.

Operation Modes:

- **Access** (via Credential)
- **Lockout**
- **Passage**—Can be toggled on/off or preprogrammed to re-lock manually or via software
- **Scheduled Access** (5286, 5686, and 5786)

Authority Levels: Five different levels allow who has access to specific lock functions, includes: Service Codes—programmed for one-time access or "come-and-go" access for 1 to 96 hours

User Parameters: **Code length**—Adjustable to accept 4 to 8 digits
Anti-tamper lockout—Adjustable from 3 to 9 invalid attempts with an adjustable period of 0 to 90 seconds
Re-lock time—Adjustable from 2 to 20 seconds

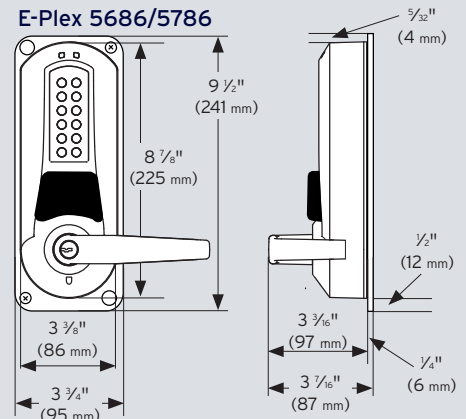
Battery Operation: Batteries located behind faceplate inside mortise—offers quick and easy battery replacements for institutions. Four AA Alkaline batteries provide up to 100,000 cycles (performance varies based on settings). Lock data is maintained if batteries fail.



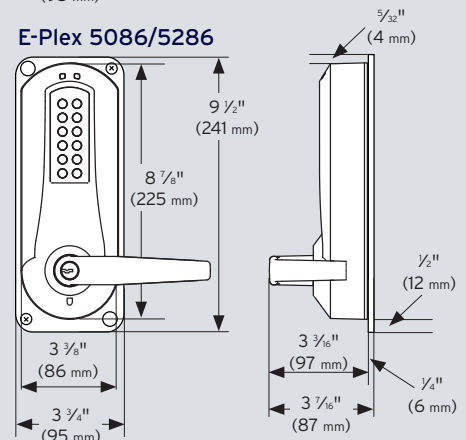
Access Control on both sides of the door

Interior/Exterior Housings

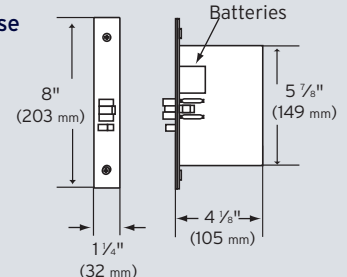
E-Plex 5686/5786



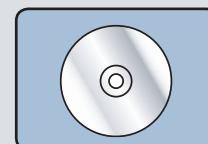
E-Plex 5086/5286



Mortise



Optional Feature



• PC Software

MECHANICAL FEATURES

Construction: Extra heavy-duty, mortise lockset, solid cast housings, solid cast levers, wear tested for extensive use in indoor and outdoor applications

Numeric Keypad: Vandal resistant, solid metal pushbuttons

Door Handing: Non-handed, easily changed in the field

Backset: 2 3/4" (70 mm) backset

Latch: 3/4" (19 mm) latch

Minimum Stile Recommended 5" (127 mm)

Weight: 15.7 lbs. (7.1 kg)

KEY OVERRIDE

Universal Key-in-Lever Cylinders: Includes Kaba 1599 6-pin cylinders with two nickel silver keys per side (prepped to Kaba 90 or Schlage "C" keyway, keyed different) and tail pieces for compatibility with:

Interchangeable Cores: Small format—Best and equivalents (6 or 7-pin length)

Removable Cores: Large format—ASSA/Medeco/Yale/Abloy (5 or 6-pin), Corbin Russwin, Schlage, and Sargent

INSTALLATION

Ease of Installation: Easily installs on wood or metal doors using supplied mounting plates; includes mortise mounting hardware for hollow steel doors

Door Preparation: ASA 86 door preparation with additional through bore holes; no additional mortising of door required

Door Thickness: 1 3/4" (44 mm) to 2 1/4" (57 mm). Pre-assembled to accommodate doors 1 5/8" (41 mm) to 2" (50 mm)

Items Supplied Include: Lock assembly, installation manual, template, quick reference guide, operations manual, and required hardware

Additional Items Supplied With Key-in-Lever Models Only: Kaba 1599 6-pin cylinders with two nickel silver keys per side and four additional tailpieces for compatibility with other conventional cylinders

CERTIFICATION AND TESTING

Accessibility Standard: Americans with Disabilities Act (ADA)

Durability: ANSI/BHMA A156.13, Grade 1 Certification per F30 Asylum Function

Fire Rating: Three-hour UL/ULC fire door rating for "A" labeled doors

Environmental: Indoor/Outdoor Approved: Interior/Exterior Housing: -31 °F (-35 °C) to +151 °F (66 °C)

WARRANTY

Warranty: One-year warranty from date of installation; built-in warranty counter in lock memory

FINISHES

Standard Finishes: Satin Chrome 626 (26D) housings and levers, Black 676 housings with Satin Chrome 626 Accents

Optional Finishes: Bright Brass 605 (03) housings and levers, Satin Brass 606 (04) housings and levers, Bright Chrome 625 (026) housings and levers, Dark Bronze 744 housings with Brass 606 Accents (Simulates 10B/613)

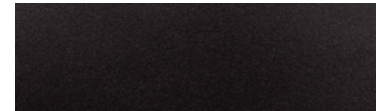
Disclaimer: While reasonable efforts were made to ensure the accuracy of this document at the time of printing, Kaba assumes no liability for any errors or omissions. This information is subject to be revised without notice, and changes may be incorporated in future releases

Copyright © 2014 Kaba Access & Data Systems Americas. All rights reserved.

Standard Finishes



Satin Chrome



Black

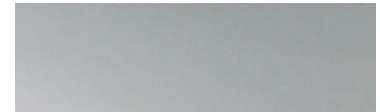
Optional Finishes



Bright Brass



Satin Brass



Bright Chrome



Dark Bronze

KAA1116 0214

Kaba Access & Data Systems Americas

2941 Indiana Avenue
Winston-Salem, NC 27105
Tel: 1-800-849-8324

www.kaba-adsamericas.com