

WALL CONNECTING PROFILE SYSTEM

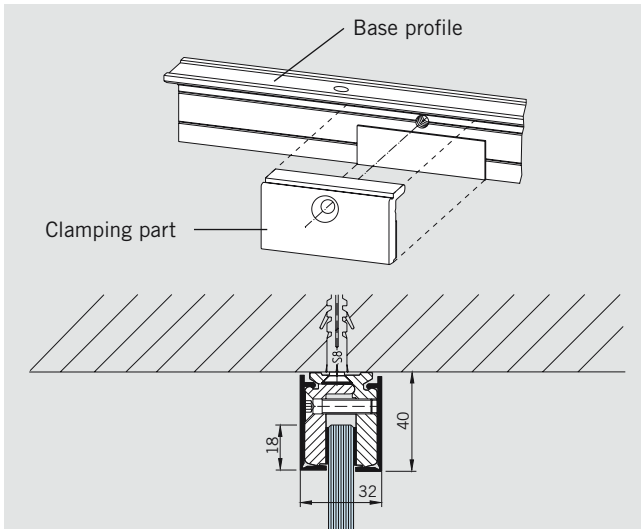
Consisting of: base profile, with bore holes (every 300 mm),
incl. clamping parts with screws and gasket strips.

Application:

e. g. all around frame system for toughened glass assemblies, with fittings on sides and ceiling.

The **safety type** prevents free hanging glass elements from falling down, by fixing the clamping fitting through glass holes.

15 kg load for each clamping part, torque for fixing screws 15 Nm (M 6 = Allan key size 4).



Base profile

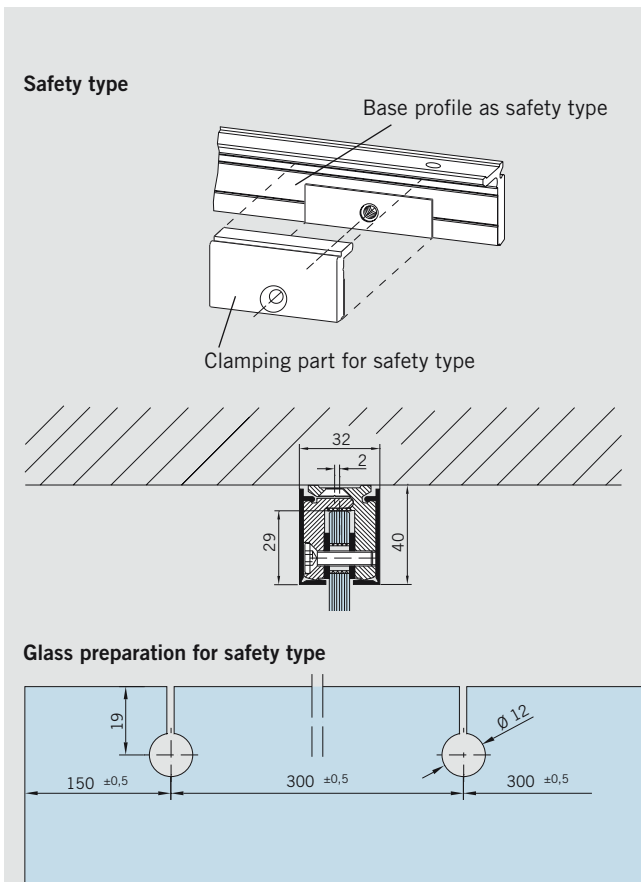
6000 mm stock length

- for 8 mm glass thickness: **Art. No. 07.042**
- for 10 mm glass thickness: **Art. No. 07.001**
- for 12 mm glass thickness: **Art. No. 07.002**
- for 12,7 mm glass thickness: **Art. No. 07.045**
- for 13,5 mm glass thickness: **Art. No. 07.046**
- for 15 mm glass thickness: **Art. No. 07.047**
- for 17 mm glass thickness: **Art. No. 07.048**
- for 19 mm glass thickness: **Art. No. 07.049**

as safety type

- for 8 mm glass thickness: **Art. No. 07.060**
- for 10 mm glass thickness: **Art. No. 07.061**

Weight in kg/m:
aluminium 1.200



Base profile

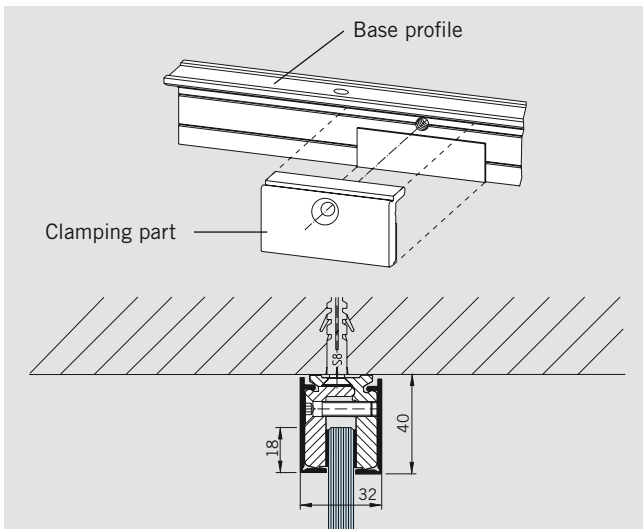
fixed length

- for 8 mm glass thickness: **Art. No. 07.050**
- for 10 mm glass thickness: **Art. No. 07.051**
- for 12 mm glass thickness: **Art. No. 07.052**
- for 12,7 mm glass thickness: **Art. No. 07.055**
- for 13,5 mm glass thickness: **Art. No. 07.056**
- for 15 mm glass thickness: **Art. No. 07.057**
- for 17 mm glass thickness: **Art. No. 07.058**
- for 19 mm glass thickness: **Art. No. 07.059**

as safety type

- for 8 mm glass thickness: **Art. No. 07.066**
- for 10 mm glass thickness: **Art. No. 07.067**

Weight in kg/m:
aluminium 1.200



Clamping part

60 mm long
with screw and gasket
for 8 mm glass thickness:
for 10 mm glass thickness:
for 12 mm glass thickness:

Art. No. 07.043

Art. No. 07.004

Art. No. 07.005

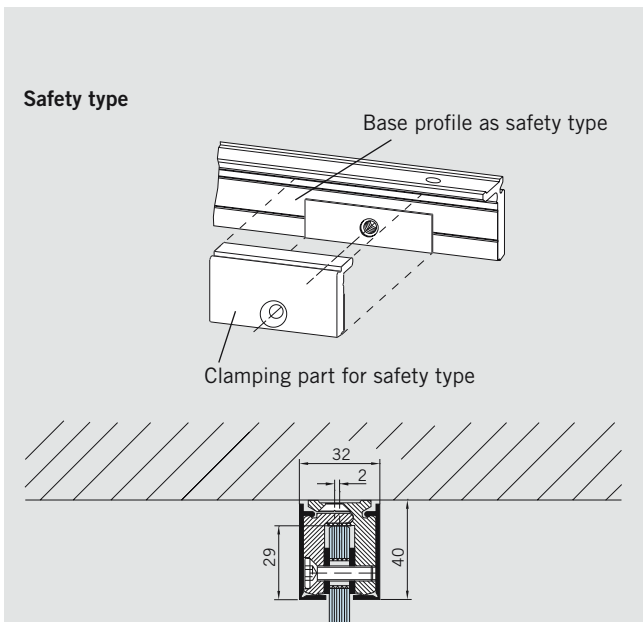
as safety type

for 8 mm glass thickness:
for 10 mm glass thickness:

Art. No. 07.063

Art. No. 07.064

Weight in kg:
aluminium 0.055

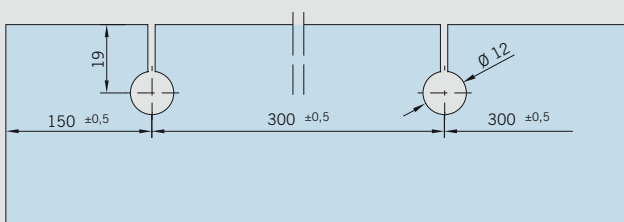


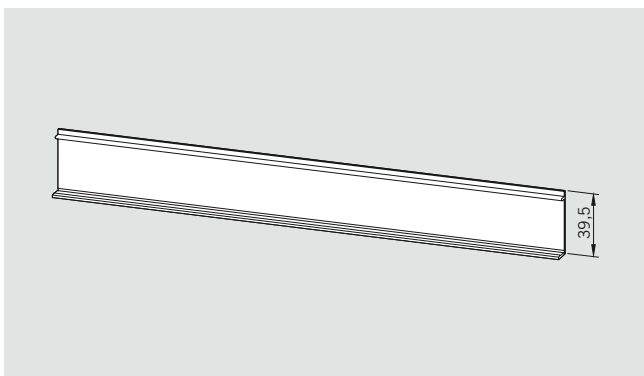
Safety type

Base profile as safety type

Clamping part for safety type

Glass preparation for safety type



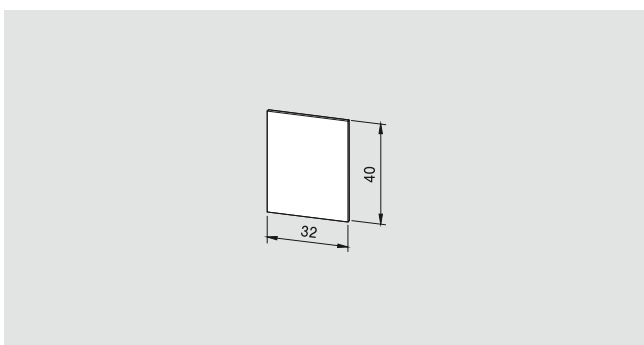


Clip on cover profile
brass, stainless steel, satin
and stainless steel polished
door available

6000 mm stock length
fixed length

Art. No. 07.003
Art. No. 07.053

Weight in kg/m:
aluminium 0.203
brass 0.373
stainless steel 0.373

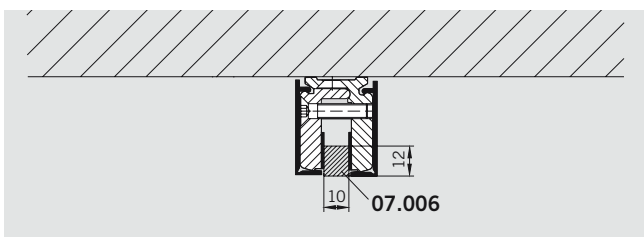


End cap

for 8 and 10 mm glass
thicknesses
for 12–13,5 mm glass
thicknesses
for 15–19 mm glass
thicknesses

Art. No. 07.007
Art. No. 07.044
Art. No. 07.065

Weight in kg:
aluminium 0.003
brass 0.006
stainless steel 0.006

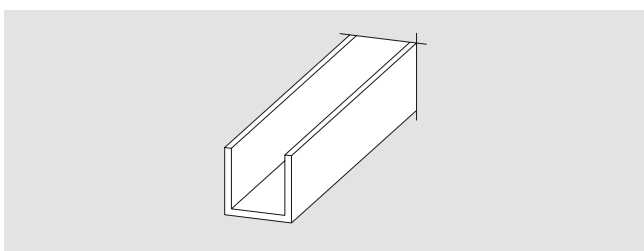


Filler block, 10 x 12 mm

6000 mm stock length
fixed length

Art. No. 07.006
Art. No. 07.054

Weight in kg:
aluminium 0.315



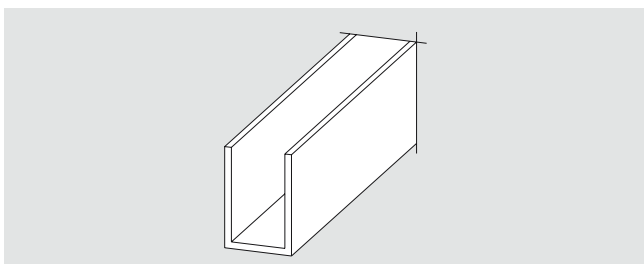
U-profile

20 x 20 x 20 x 2 mm

6000 mm stock length
fixed length

Art. No. 07.092
Art. No. 07.093

Weight in kg/m:
aluminium 0.336



U-profile

30 x 20 x 30 x 2 mm

6000 mm stock length
fixed length

Art. No. 07.097
Art. No. 07.096

Weight in kg/m:
aluminium 0.448