

DORMA Automatics, Inc
 924 Sherwood Drive
 Lake Bluff, Illinois 60044
 Toll Free: (877)-367-6211
 Fax: (877)423-7999

THE STANDARD PACKAGE CONSISTS OF:

THE AUTOMATIC DOOR OPERATOR & HOUSING, FRAMES, DOORS, SIDELITES WITH VERTICAL AND HORIZONTAL WEATHERSTRIP, EMERGENCY BREAKAWAY, 3-POINT LOCKING, CONCEALED CONTROL PANEL (OFF, AUTO, HOLD-OPEN, REDUCED OPENING, EXIT ONLY ACTIVATION), HEAVY DUTY INTERLOCK CLIPS, ANTI-DERAILER HARDWARE

STANDARD FINISHES: CLEAR BHMA 204
 DARK BRONZE BHMA 313
 SPECIAL FINISHES ARE AVAILABLE

DRAWING DIMENSIONS ARE IN ENGLISH AND METRIC UNITS. METRICS ARE SHOWN IN MILLIMETERS, AS FOLLOWS: 1" (25.4)

FOR MAXIMUM CURRENT DRAW, SEE PRODUCT SPECIFICATION OR INSTALLATION INSTRUCTIONS.

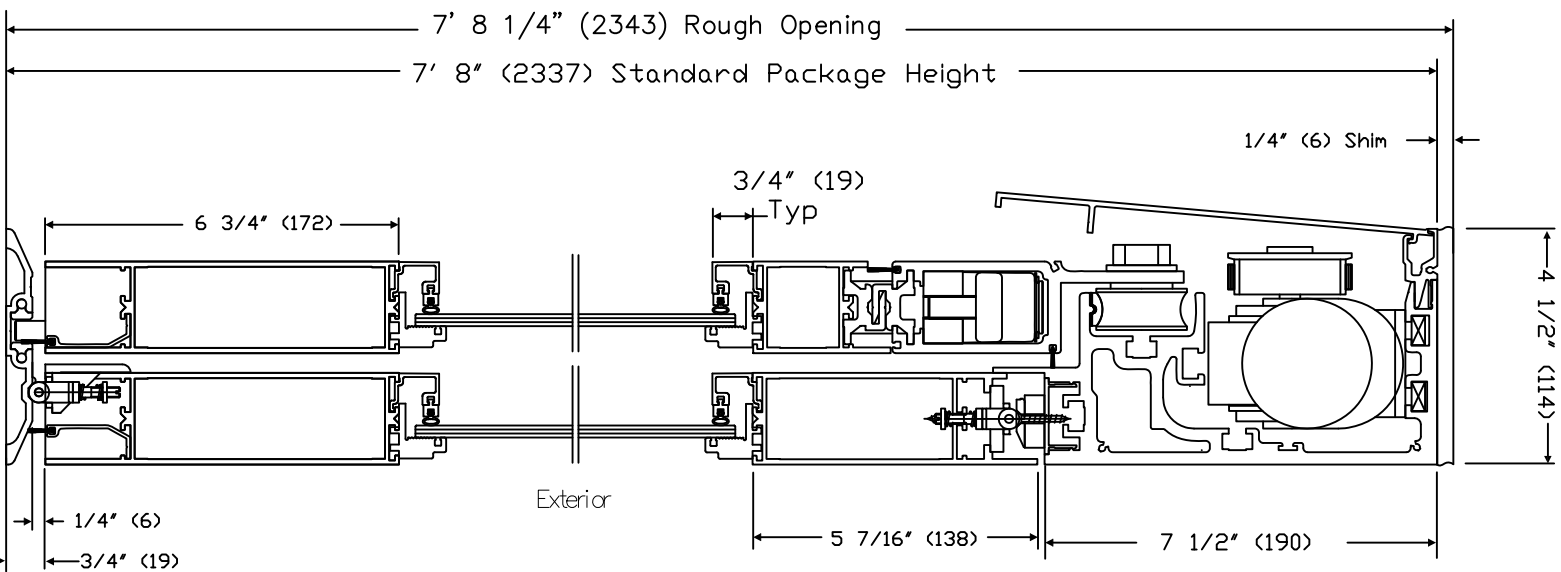
REFER TO APPLICABLE LOCAL, STATE OR NATIONAL BUILDING CODE FOR MINIMUM DOOR HEIGHTS AND WIDTHS FOR ALLOWABLE EGRESS REQUIREMENTS. SEE REFERENCE TABLE BELOW.

MAXIMUM UNIT SIZE	
WIDTH	HEIGHT
8'-0" (2438)	8'-8" (2641)

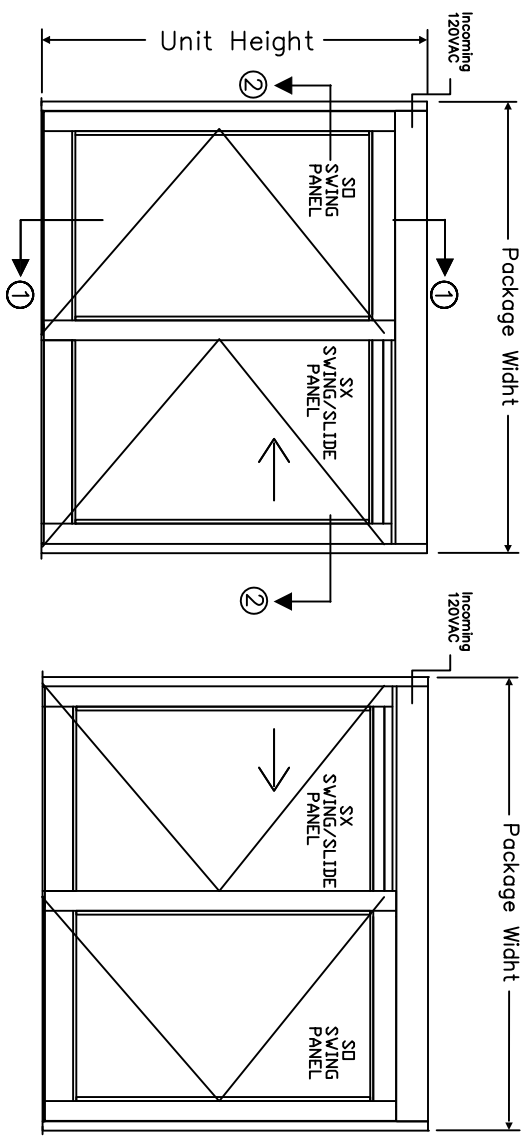
STANDARD PACKAGE SIZES

STANDARD UNIT SIZE		MAXIMUM SLIDE OPENING		ROUGH OPENING		BREAKOUT
WIDTH	HEIGHT	WIDTH	HEIGHT	WIDTH	HEIGHT	
7'-0" (2134)	7'-8" (2337)	32 1/4" (819)	37 1/4" (946)	7'-0 1/2" (2146)	7'-8 1/4" (2343)	75" (1905)
8'-0" (2438)	7'-8" (2337)	37 1/4" (946)		8'-0 1/2" (2451)	7'-8 1/4" (2343)	87" (2210)

* Note: Dimensions in () are mm.

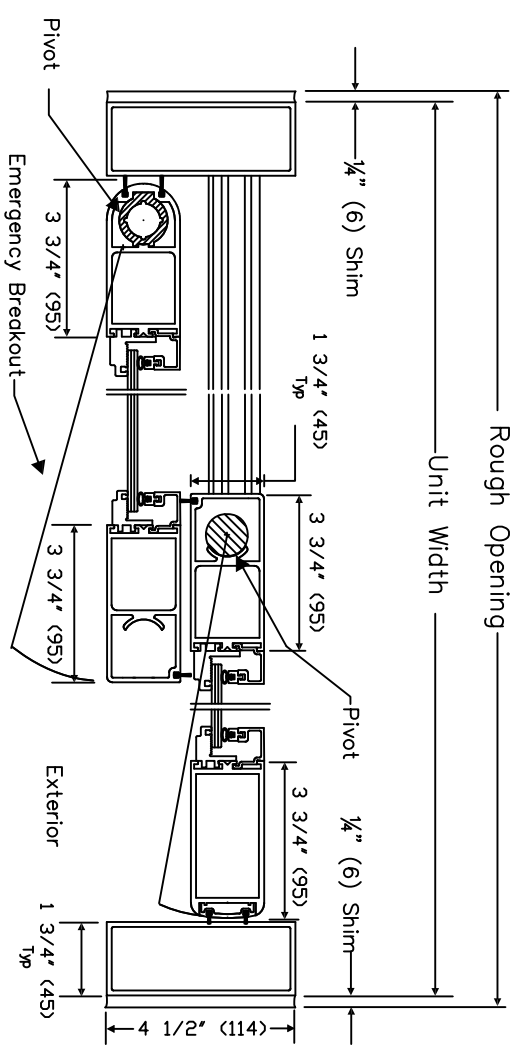


SECTION 1 TYPE SO-SX, SX-SO
 Door Shown in Open Position



ELEVATION/PLAN

TYPE SO-SX and SX-SO



SECTION 2

TYPE SO-SX Shown, SX-SO Opposite

AUTOMATIC SLIDING DOOR
 ESA-300 SERIES
 TYPE SO-SX, SX-SO
 HURRICANE RATED
 3/06