

DORMA Automotives, Inc
 924 Sherwood Drive 60044
 Lake Bluff, Illinois
 Toll Free: (877)-367-6211
 Fax: (877)-423-7999

THE STANDARD PACKAGE CONSISTS OF:
 THE AUTOMATIC DOOR OPERATOR & HOUSING,
 FRAMES, DOORS, SIDELITES WITH VERTICAL
 AND HORIZONTAL WEATHERSTRIP, 2-POINT
 LOCKING, CONCEALED CONTROL PANEL (OFF,
 AUTO, HOLD-OPEN, REDUCED OPENING, EXIT
 ONLY ACTIVATION)

STANDARD FINISHES: CLEAR BHMA 204
 DARK BRONZE BHMA 313
 SPECIAL FINISHES ARE AVAILABLE

DRAWING DIMENSIONS ARE IN ENGLISH AND
 METRIC UNITS. METRICS ARE SHOWN IN
 MILLIMETERS, AS FOLLOWS: 1" (25.4)

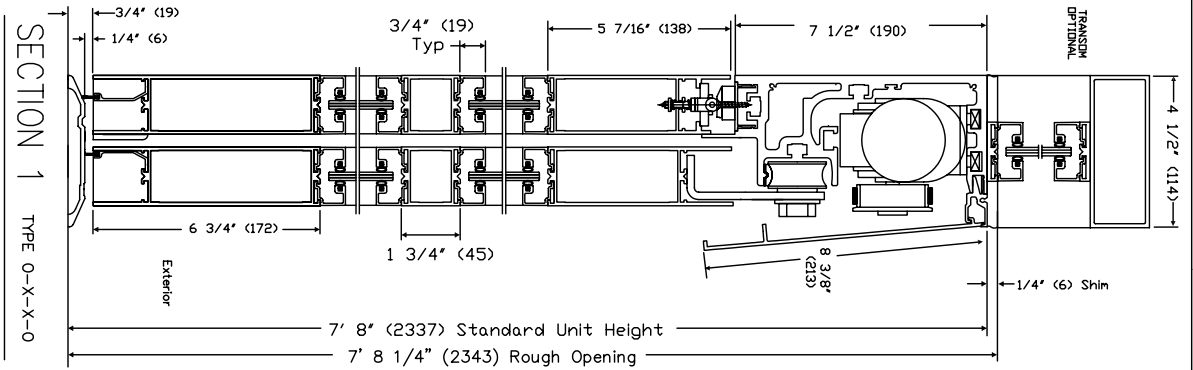
FOR MAXIMUM CURRENT DRAW, SEE
 PRODUCT SPECIFICATION DR
 INSTALLATION INSTRUCTIONS.

REFER TO APPLICABLE LOCAL, STATE OR
 NATIONAL BUILDING CODE FOR MINIMUM DOOR
 HEIGHTS AND WIDTHS FOR ALLOWABLE EGRESS
 REQUIREMENTS. SEE REFERENCE TABLE BELOW.

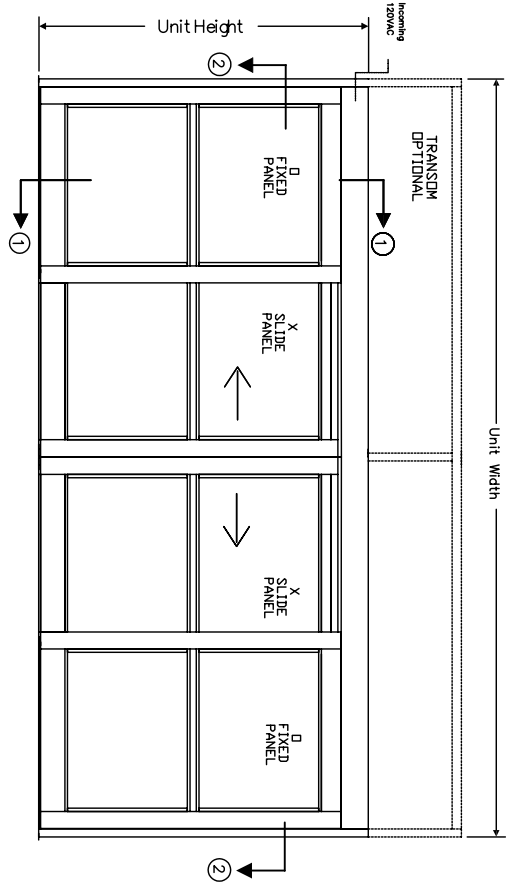
STANDARD PACKAGE SIZES

STANDARD WIDTH	UNIT SIZE HEIGHT	MAXIMUM SLIDE OPENING	ROUGH OPENING WIDTH	ROUGH OPENING HEIGHT
8'-0" (2438)	7'-8" (2337)	32 1/4" (819)	8'-1 1/2" (2451)	7'-8 1/4" (2343)
9'-0" (2743)	7'-8" (2337)	38 1/4" (942)	9'-1 1/2" (2756)	7'-8 1/4" (2343)
9'-0" (2743)	7'-8" (2337)	44 1/4" (1124)	10'-1 1/2" (3061)	7'-8 1/4" (2343)
10'-0" (3048)	7'-8" (2337)	56 1/4" (1429)	12'-1 1/2" (3661)	7'-8 1/4" (2343)
12'-0" (3658)	7'-8" (2337)	68 1/4" (1734)	14'-1 1/2" (4280)	7'-8 1/4" (2343)
14'-0" (4267)	7'-8" (2337)	80 1/4" (2038)	16'-1 1/2" (4890)	7'-8 1/4" (2343)

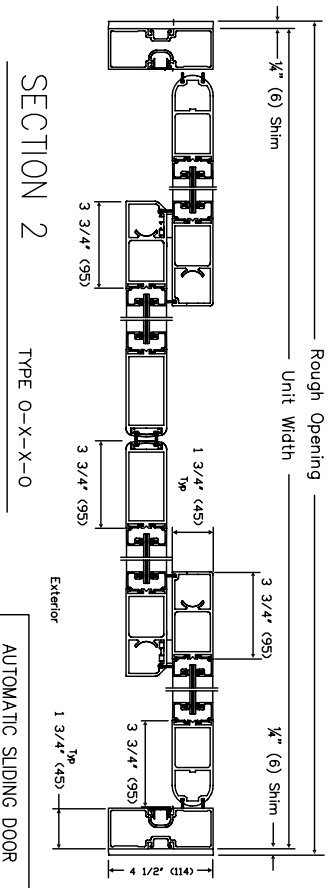
Note: Dimensions in () are mm



Door Shown in Open Position



ELEVATION/PLAN



AUTOMATIC SLIDING DOOR
 ESA-100 SERIES
 TYPE O-X-X-0
 Medium Slide
 3/06