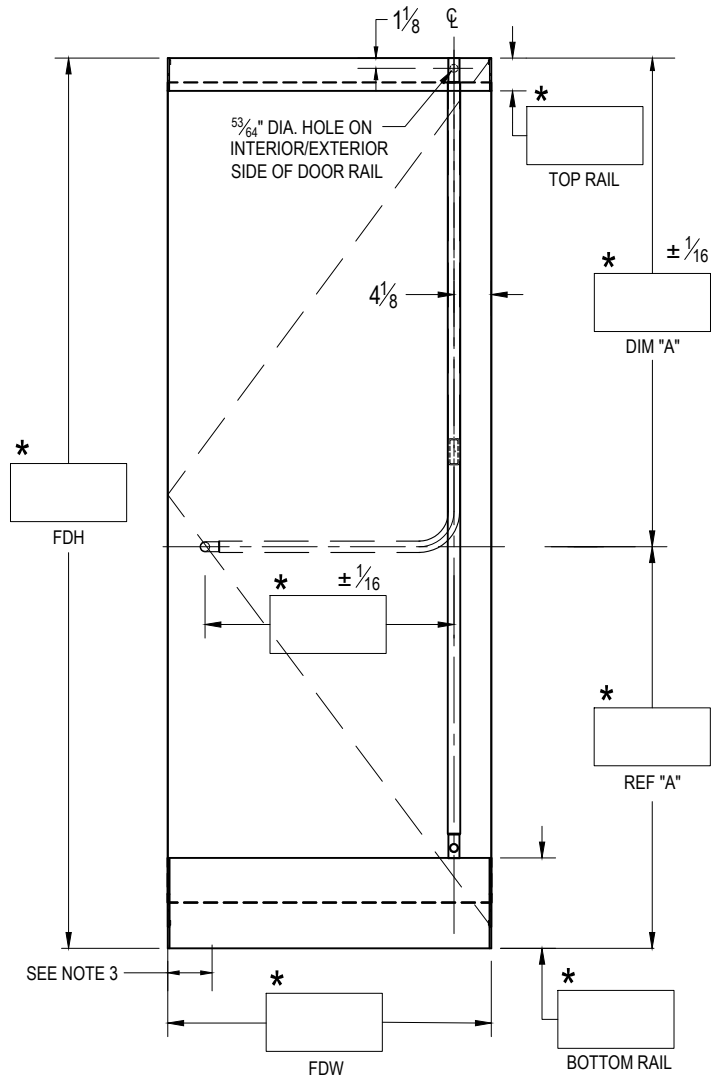
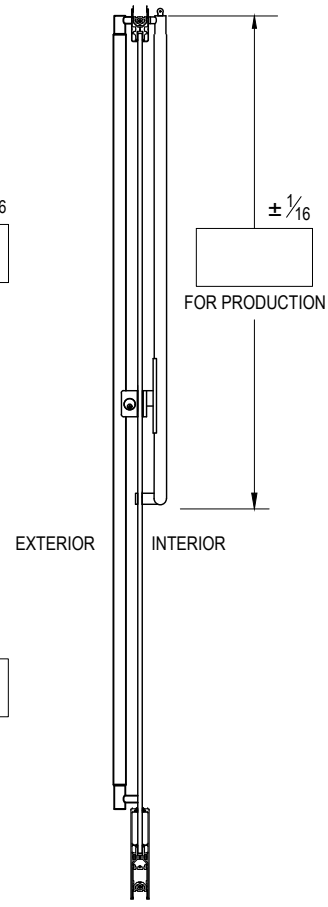


HOUSING: GP1000F EXIT PART #  
 HANDING: SWING #4 SHOWN/LHR EXTERIOR VIEW  
 TOP RAIL:  2-1/2"  3-5/8"  4"  6"  10"  
 BOTTOM RAIL:  2-1/2"  3-5/8"  4"  6"  10"  
 FINISH: \_\_\_\_\_  
 GLASS THICKNESS:  1/2"  3/4" QTY. OF DOORS: \_\_\_\_\_  
 NOTES: \_\_\_\_\_

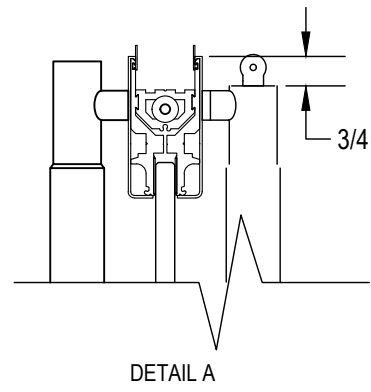
STRIKE OPTION:  
 MANUAL S1-GP1000 (SINGLE)  
 MANUAL S2-GP1000 (DOUBLE)  
 ELECTRIC ES1-GP1000 (SINGLE)  
 ELECTRIC ES2-GP1000 (DOUBLE)  
 FOLGER ADAM: \_\_\_\_\_  
 KEY OPTION: \_\_\_\_\_  
 ELECTRIC STRIKE ES2-3  
 (1 MANUAL, 1 ELECTRIC STRIKE)



EXTERIOR ELEVATION  
 SCALE: 5/8" = 1'-0"



SECTION  
 SCALE: 5/8" = 1'-0"



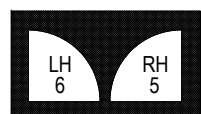
FDH = FINISHED DOOR HEIGHT  
 FDW = FINISHED DOOR WIDTH  
 GH = GLASS HEIGHT  
 GW = GLASS WIDTH  
 a = TOP RAIL DEDUCTION  
 b = BOTTOM RAIL DEDUCTION

CUSTOMER NAME: \_\_\_\_\_  
 CUSTOMER APPROVAL: \_\_\_\_\_  
 P.O. # \_\_\_\_\_  
 DOOR MARK: \_\_\_\_\_  
 SALES ORDER # \_\_\_\_\_  
 GLASS THICKNESS: \_\_\_\_\_  
 DATE: \_\_\_\_\_

**dormakaba**  
 DORMA USA, Dorma Drive, Reamstown, PA 17567-0411 PH: 800-523-8483

DRAWING TITLE: **GP1000P-F-P (ADA)**

- NOTES:
- RAIL HEIGHTS AND (\*) DIMENSIONS PROVIDED BY CUSTOMER.
  - ALL DIMENSIONS ARE IN INCHES.
  - NOTE PIVOT REFERENCE DIMENSIONS:
    - 2-3/4" FROM SIDELITE & FRAME
    - 3-1/2" FROM WALL.

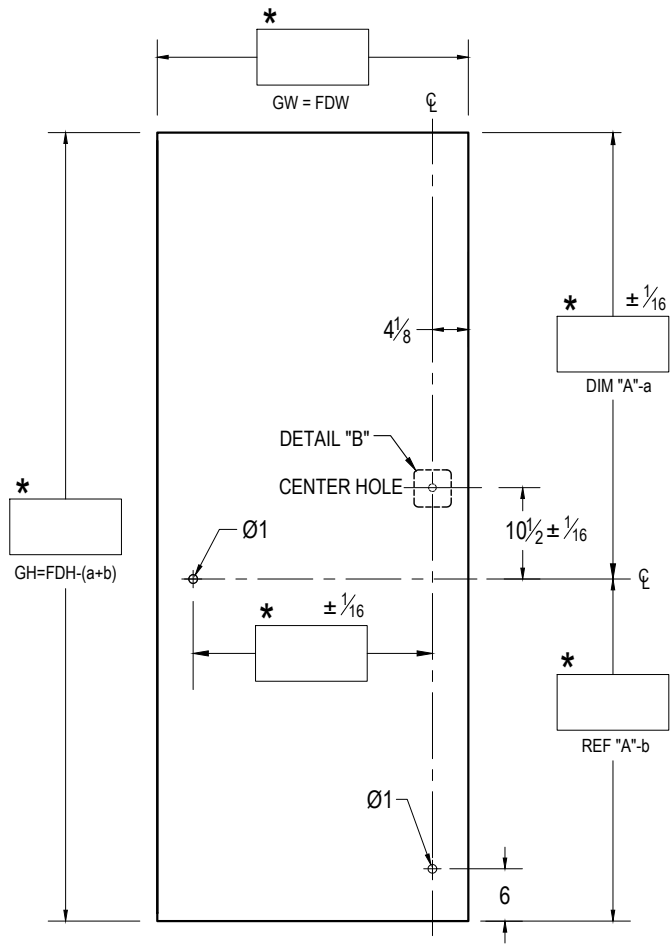


EXTERIOR



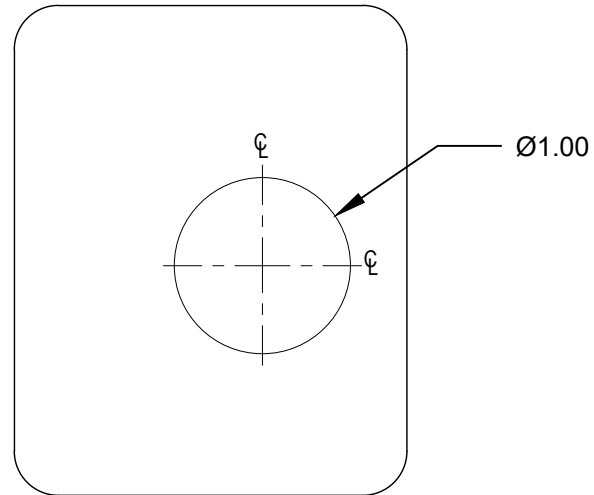
EXTERIOR

# GLASS DETAILS



EXTERIOR ELEVATION

SCALE: 5/8" = 1'-0"



DETAIL "B"

SCALE: 1:1

Glass Height Equation: $GH = FDH - (a+b)$					
Rail Height	2-1/2"	3-5/8"	4"	6"	10"
Deduction	1.8125	2.6875	2.6875	5.0625	5.0625

FDH = FINISHED DOOR HEIGHT  
 FDW = FINISHED DOOR WIDTH  
 GH = GLASS HEIGHT  
 GW = GLASS WIDTH  
 a = TOP RAIL DEDUCTION  
 b = BOTTOM RAIL DEDUCTION

CUSTOMER NAME:

CUSTOMER APPROVAL:

P.O. #

DOOR MARK:

SALES ORDER #

GLASS THICKNESS:

DATE:

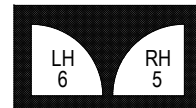


DORMA USA, Dorma Drive, Reamstown, PA 17567-0411 PH: 800-523-8483

DRAWING TITLE: **GP1000P-F-P (ADA)**

NOTES:

1. RAIL HEIGHTS AND (\*) DIMENSIONS PROVIDED BY CUSTOMER.
2. ALL DIMENSIONS ARE IN INCHES.
3. ALL HOLE SIZES AND LOCATIONS MUST BE HELD TO  $\pm 1/16$ "
4. DO NOT CHAMFER EDGES OF HOLES.



EXTERIOR



EXTERIOR