

Hardware performance sheet (HPS) – lock cases dormakaba DL and DLM series

1 General

This document is worked out according to the European Standard:

- EN 16035:2012

The hardware performance sheet (HPS) is an identification and summary of test evidence to facilitate the interchangeability of building hardware for application to fire resisting and/or smoke control doorsets and/or openable windows.

The HPS together with mentioned test reports in Table A.3 shall be a part of the technical documentation delivered to a Notified Body for an Extended application report, prior to CE-marking.


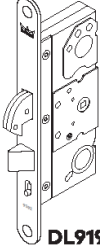
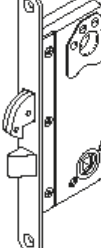
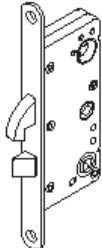
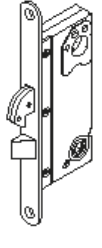
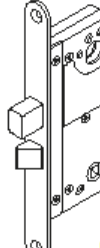
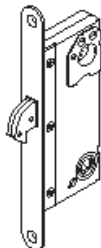
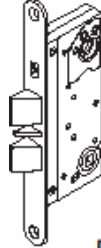
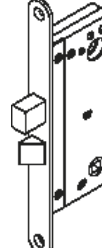



2 HPS

2.1 Building hardware identification

Table A.1 Basic information about the building hardware

Position	Declaration	Required product information	Note/additional information
1	Manufacturer	dormakaba Sverige AB	See 5.2.1
2	Manufacturer's product reference as shown in fire test evidence	DL series: DL 9192, DL 91925, DL 9195, DL/DLM 9197, DL/DLM 919, DL 912, DL/DLM 909*, DL 710, DL 712, DL 719, DL 7007 and DL 7195	See 5.2.2

RISE Research Institutes of Sweden AB

				
DL 9192	DL91925	DL 9195	DL 9197	DL 919
				
DL 912	DL 909	DL 710	DI712	DL719
				
DL7007	DL 7195			
3	Type of building hardware	Mechanically operated locks		See 5.2.3
4	Relevant EN standard	EN 12209:2003 and EN 12209:2003/AC:2005		See 5.2.4
5	Classification (in accordance with relevant hardware product standard)	Classification: Grade 1	Characteristics: Suitability for use on fire/ smoke doors	See 5.2.5
6	Main dimensions	Dimensions: Lock case: 64.6 x 150.2 x 18.4 mm. Front plate: 3.2 x 225 x 22 mm. Latch bolt length: 14 mm.		See 5.2.6
7	Remarks	* Lock case DL/DLM 909 has no latch and must be combined with another product, proven by test, to keep the door in closed position.		See 5.2.7

2.2 Test evidence used

Table A.2 information about the test evidence of the building hardware described in Table A.1

1	Material of doorset and/or openable window	<input type="checkbox"/> Steel doorset and/or openable window
		<input type="checkbox"/> Timber doorset and/or openable window
		<input type="checkbox"/> Aluminium doorset and/or openable window
		<input checked="" type="checkbox"/> Glazed steel doorset
2	Mounting of building hardware	<input type="checkbox"/> Surface mounted, exposed to fire
		<input type="checkbox"/> Surface mounted, not exposed to fire
		<input checked="" type="checkbox"/> Mortice mounted, fire on both sides
3	Type of doorset and/or openable window	<input checked="" type="checkbox"/> Hinged
		<input type="checkbox"/> Pivoted
		<input type="checkbox"/> Sliding
		<input checked="" type="checkbox"/> Single leaf doorset
		<input type="checkbox"/> Double leaf doorset
		<input type="checkbox"/> Primary (active) leaf
		<input type="checkbox"/> Secondary (inactive) leaf
<input type="checkbox"/> Other type		

2.3 Performance level(s)

Table A.3

	Performance	Fire resisting and/or smoke control doorset and/or openable window test evidence	Building hardware test evidence ^a	Smoke control doorset and/or openable window test evidence	Durability of self-closing
1	Test method	<input checked="" type="checkbox"/> EN 1634-1	<input type="checkbox"/> EN 1634-2 ^b	<input type="checkbox"/> EN 1634-3	<input type="checkbox"/> EN 1191 <input type="checkbox"/> EN 12605
2	Test report no:	5P09529-1 dated 2016-02-24 (1) 6P02673-1 dated 2016-05-02 (2)			
3	Test report issued by:	SP Technical Research Institute of Sweden			
4	Classification	EN 13501-2: E: 60 min (1) Door leaf open into the furnace E: 180 min (2) Door leaf open out from the furnace		EN 13501-2: <input type="checkbox"/> S _a <input type="checkbox"/> S ₂₀₀	EN 14600: <input type="checkbox"/> C0 <input type="checkbox"/> C1 <input type="checkbox"/> C2 <input type="checkbox"/> C3 <input type="checkbox"/> C4 <input type="checkbox"/> C5
5a	Width of primary leaf:	1010 mm (1), (2)			
5b	Width of secondary leaf:	-			
6	Door leaf height:	2145mm (1), (2)			
7	Door thickness:	50 mm (1), (2)			
8a	Mass of primary leaf:	-			
8b	Mass of secondary leaf:	-			
9	Restrictions ^c :	-			
10	Installation instructions ^d :	-			
11	Certification body:	RISE Research Institutes of Sweden AB			
12	Prepared by:	RISE Research Institutes of Sweden AB			

13	Date: 2019-04-12
-----------	------------------

^a The dimensions shown in this column relate to the associated construction relevant to the particular test.

^b Results from a test by EN 1634-2 show information about the hardware. The test specimen of EN 1634-2 does not represent a doorset as defined in EN 16034.

^c E.g. limitations of application.

^d E.g. reference to the building hardware manufacturer's installation instructions.

RISE Research Institutes of Sweden AB
Safety - Fire Research Resistance

Performed by

Examined by

Charlotta Skarin

Pär Johansson