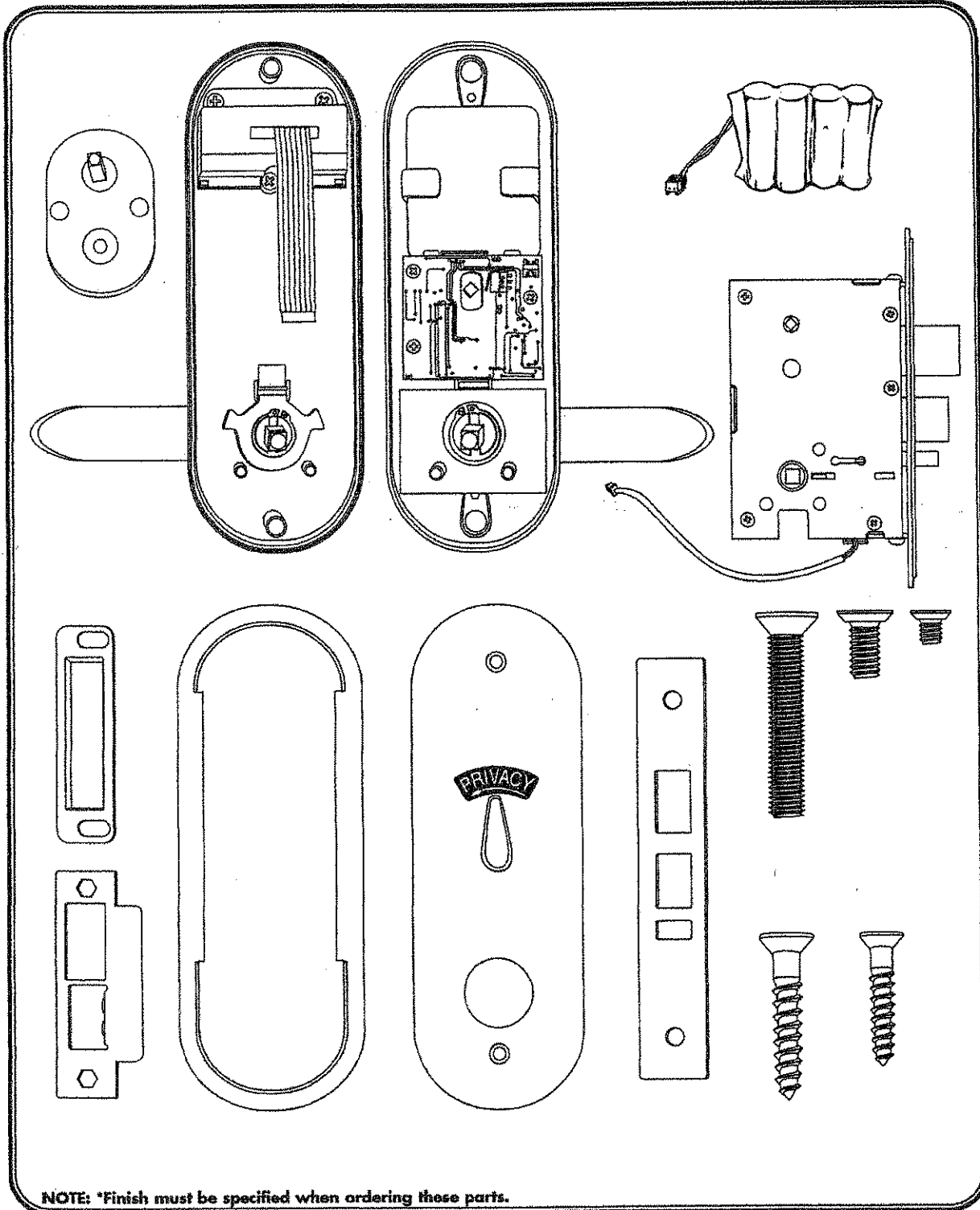


MT SELECT ADB

Installation Instructions

All parts needed to install your MT Select ADB are included with each unit. Check to make sure all parts are included before you begin installation. **Do not substitute any of the parts**, as it can result in the poor performance of your system.



NOTE: *Finish must be specified when ordering these parts.

Step 1

- Lay out the parts and confirm that all the parts need for the install is present. Each piece is necessary for the successful completion of the work. The screws will be shown in their actual size next to the step where they are needed. Make sure that the battery does not become disconnected from the lock; if it does, the lock will need to be programmed after the install is completed.

NOTE: Do not close the door until the lock is fully tested and operates correctly.

Step 2

- Prepare the door according to the template provided by Safflok. When preparing the door, you need to make sure that the black connector will have enough clearance when the inside half of the lock is installed. If not this will cause damage to the board.

NOTE: The battery pack must NOT become disconnected during the installation of the lock(s). If the battery becomes disconnected you will need to program the lock before using it.

Step 3

- Feed the black wire into the mortised area of the door pocket, and through the large bottom hole. The wire must be gently pulled through the side of the hole facing the inside of the room.
- While feeding the black wire into the opening, gently insert the mortise case (with the deadbolt fully retracted) into the door. Be careful not to pinch the wire between the door and mortise.

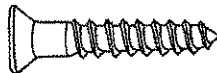
NOTE: There will be conductive grease in the connectors. Do NOT remove.

Step 4

- Secure the mortise case by using the appropriate screws. (shown below)

For wooden doors:

Actual Size
(2) ea. # 10x1"



For metal doors:

Actual Size
(2) ea. #12-24x .5"



Step 5

- Place the spacer plate around the outer half of the lock. Please note that one side has a larger opening. This side goes around the reader.

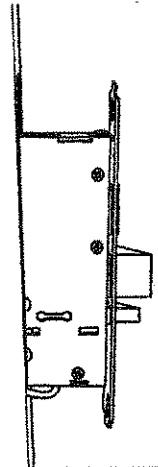
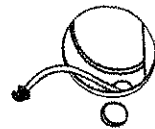
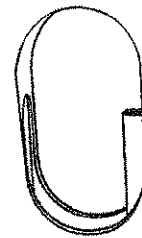
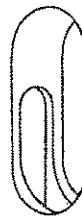
Step 6

- Line up the square shaft with the square hole for proper alignment.

NOTE: that the ribbon cable should go over the top of the mortise and to the other side of the door.

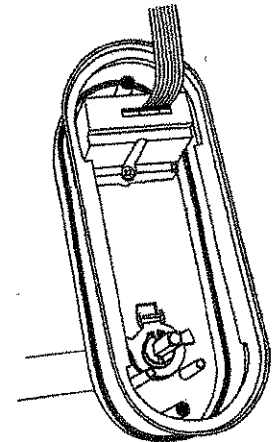
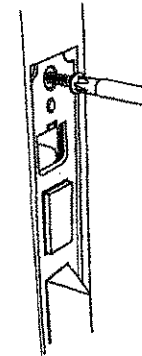
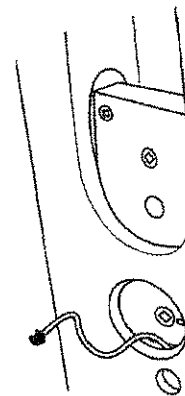
- Install the outer half of the lock onto the door.

Step 2



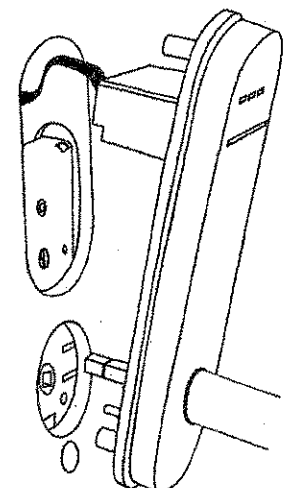
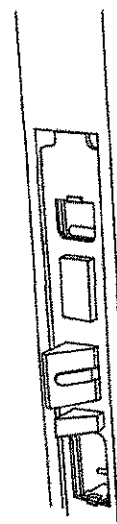
Step 3

Step 4



Step 5

Step 6



Step 7

- Make sure the ribbon cable is all the way through the door.
- Insert the gear assembly all the way into the mortise case.
- Make sure the black wire is routed through the bottom through-hole facing the inside of Room. Be sure the wire is not pinched, and that it does not interfere with any moving Parts.

Step 8

NOTE: The battery pack must NOT become disconnected during the installation of the lock(s). If the battery becomes disconnected you will need to program the lock before using it.

- Confirm that the black cam is set to a diamond position.

Step 9

- Put the trim plate onto the inside half of the lock.

Step 10

- Connect the black wire to the two-pin black connector at the bottom of the green circuit board.

WARNING: The black wire must be routed below and around the outside of the locator posts to prevent any damage to the black wire.

Step 11

- Make sure that the black wire is not being pinched. And that it travels around the posts at the bottom of the lock.
- Line up the square shaft with the square hole.
- Install the inside lock assembly onto the door.

Step 12

- Secure the lock with two screws (shown below) at top and bottom of the lock.

Actual Size
(2) ea. .20 x 2"



Step 13

- Before inserting the ribbon cable, unlock the connector by gently pulling up on each side.

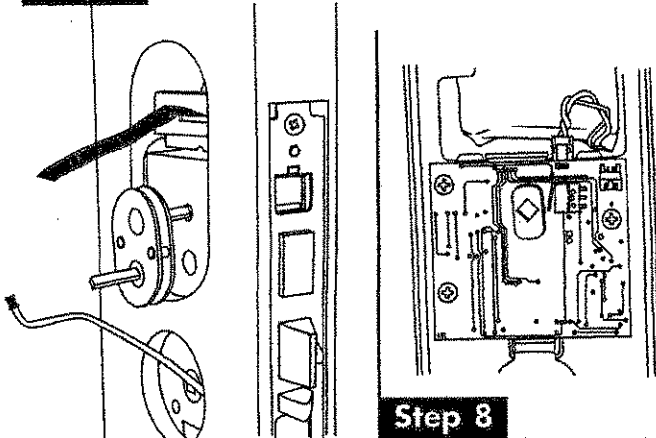
NOTE: Pulling too hard will break the connector.

- When the cable is inserted, push down on the tabs to lock the ribbon cable in place.

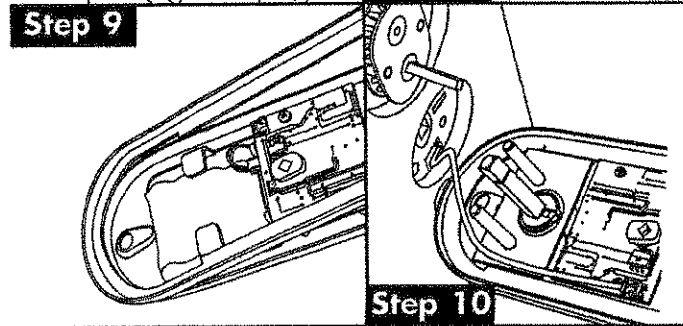
Step 14

- Make sure that the battery wires are tucked out of the way of the faceplate.
- Before installing the inside cover plate, set the thumb turn in the vertical position. This will provide for easy installation as the cover plate is installed on the back of the lock.

Step 7

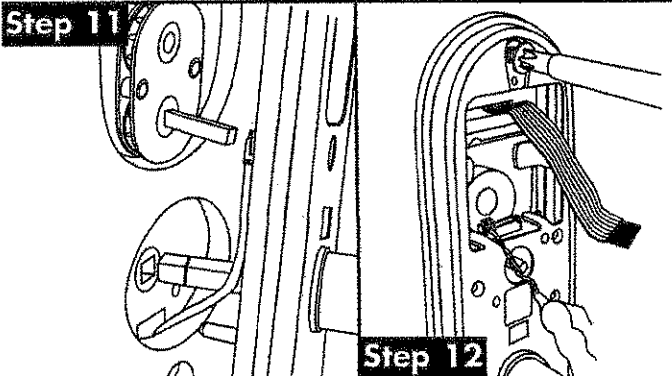


Step 8

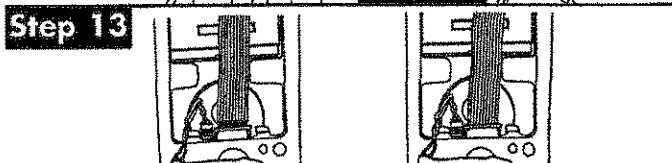


Step 9

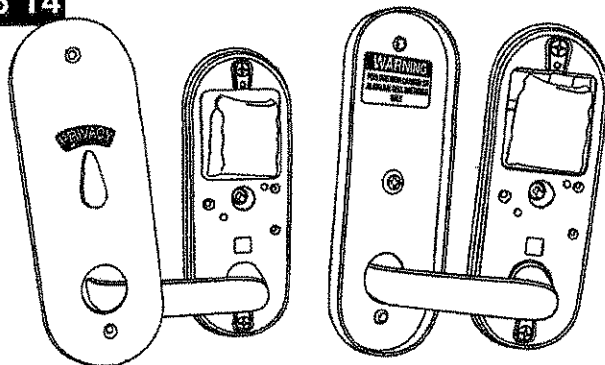
Step 10



Step 12



Step 14



Step 15

- Install the two screws into the top and bottom holes of the faceplate. (shown below)

Actual Size

(2) ea. 8-32 x $\frac{1}{2}$ " FL P



Step 16

- Install the mortise faceplate and hold in place using the two screws shown below.

Actual Size

(2) ea. 8-32 x $\frac{1}{2}$ " FL P



This completes the installation of the lock on the door.

Step 17

- Cut out the door frame according to the template. When cutting the hole for the strike, confirm that the latch and deadbolt holes are in alignment with the mortise case.
- Insert the black dust box into the door frame cut out.

Step 18

- Install the strike.
- Insert and tighten the screws (shown below) to hold the strike in place.

NOTE: The bent tab must be in the bottom position and the larger hole must be in the top position for the lock to function with the door closed.

For wooden doors:

Actual Size

(2) ea. # 10x1"



For metal doors:

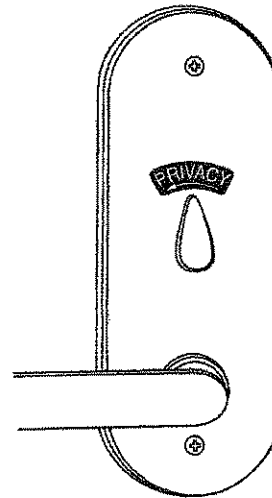
Actual Size

(2) ea. #12-24x .5"

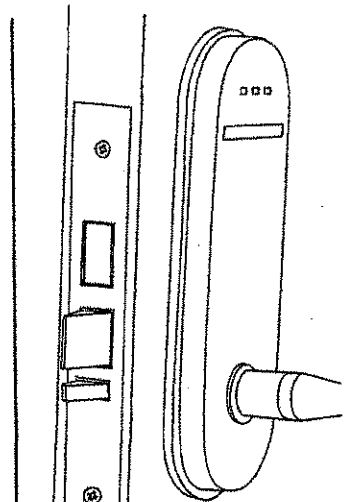


NOTE: Before closing the door, ensure that the lock operates properly.

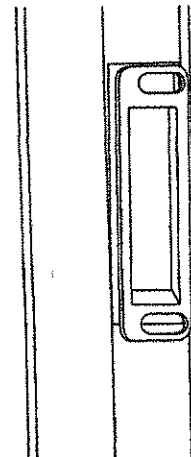
Step 15



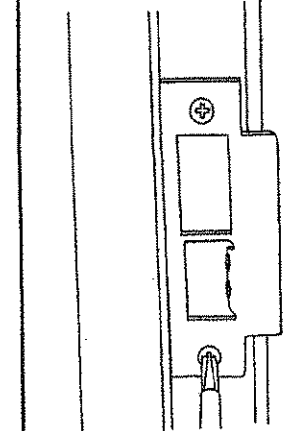
Step 16



Step 17



Step 18



Questions? Contact customer service at (800)523-9605

Saflok

You Envision It... We Deliver It

email: TheOne@Saflok.com ■ www.Saflok.com

SAFLOK - MICHIGAN
1950 Austin Drive
Troy, MI 48063
PHONE: (248) 680-8484
TOLL FREE: (877) 272-3565
FAX: (248) 680-8468

SAFLOK - CALIFORNIA
Multihousing Division
Sales Headquarters
1020 West 17th Street
Costa Mesa, CA 92627
PHONE: (949) 722-5400
TOLL FREE: (800) 523-9605
FAX: (949) 722-7017

SAFLOK - FLORIDA
Sales Headquarters
8100 Chancellor Drive
Suite 165
Orlando, FL 32809
PHONE: (407) 438-7949
TOLL FREE: (800) 428-4986
FAX: (407) 850-0828

SAFLOK - NEVADA
2900 Meade Avenue
Suite 8
Las Vegas, NV 89102
PHONE: (702) 362-8982
FAX: (702) 362-7939

SAFLOK - ASIA
#381, Bldg. A1, 3rd Fl, Zone D
Fu Te Xi 1 Road, Waigaoqiao
Shanghai, China
PHONE: (021) 5868-1481
FAX: (021) 5868-1479

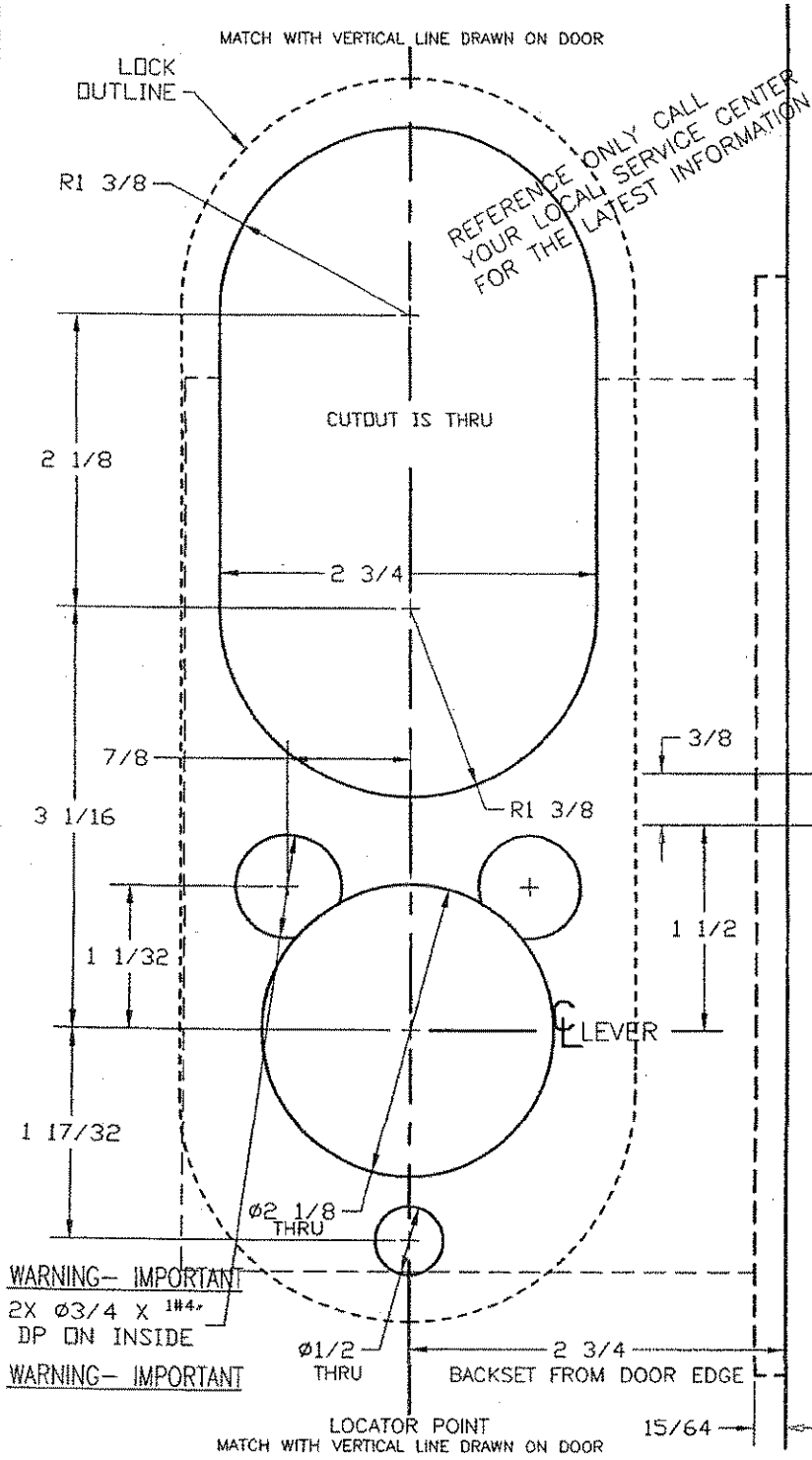
SAFLOK - EUROPE
Europark Noord 27
9100 ST-NIKLAAS
Belgium
PHONE: 00.32.3.766.00.20
FAX: 00.32.3.766.43.73



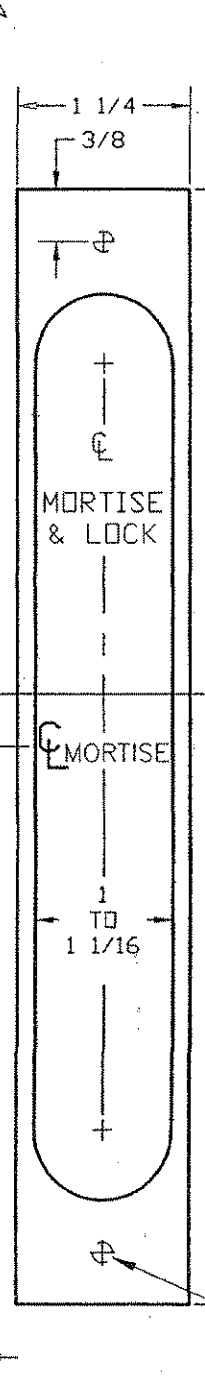
DOOR PREP LAYOUT - Saflok. SELECT MT

For Saflok MT installations with Saflok electric mortise lock.

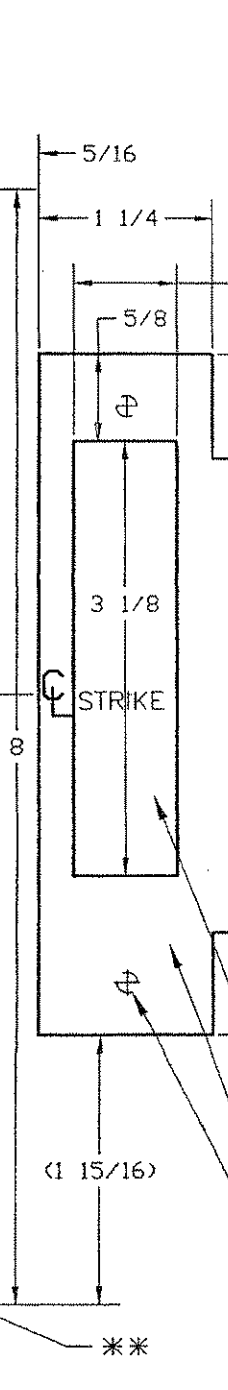
DOOR FACE VIEW



DOOR EDGE VIEW



DOOR FRAME VIEW



TEMPLATE SCALE IS 1:1 IF THIS MEASURES 1" |-----|

Dimensional Tolerance: ±.02

1950 Austin • Troy, MI 48083
(248) 680-8484 • FAX (248) 680-8468

** .15 Dia. for wood doors.
12-24 tap for metal doors.
Four places total.