



# ATRIUM FLEX

All-glass revolving doors

Design breakthrough  
with technology

dormakaba 

As works of art and defining landmarks, modern architecture demands an entrance that not only performs functionally but complements the design intent: unique yet elegant; leaving an impression that is lasting yet timeless.

To this end the ATRIUM FLEX is a **breakthrough in design with technology: The world's first revolving door driven with electromagnetic directpropulsion technology** - the dormakaba FLEX Direct Drive.

The extremely thin and silent FLEX Direct Drive enhances the clean, minimalist, all-glass transparent design of ATRIUM FLEX, and made it possible to be installed without floor pits, allowing complete freedom in floor design. Accented with an optional illuminated halo as a hint at the hidden engine, the ATRIUM FLEX is the new benchmark in premium entrances.

## Key Specs

Dimensions (in mm)	
Internal diameter	2000-3000
External diameter	ID +158
Passage height	2100-3000
Canopy height	28
Total Height	PH + 84



Traffic capacity				
Internal diameter (D) (in mm)	Theoretical capacity <sup>1</sup> person/hour <-- -->		Maximum capacity <sup>2</sup> persons/minute -->	
	3 wings	4 wings	3 wings	4 wings
2000	2520	3120	21	26
2600	3960	2640	33	22
3000	3360	4560	28	38

The theoretical capacity value indicates how many people can pass through the revolving door in both directions (<-- -->) per hour, assuming that the traffic flow is uniform and the internal segments are constantly occupied.

The maximum capacity value indicates how many people can pass through the revolving door in one direction (-->) per minute when, for a certain limited period, there is a constant stream of traffic, for example in the morning and evening.



# Features and benefits



Clean clear modern aesthetics - key to a building's premium branding

## Clean clear modern aesthetics

- Elegant full-glass structure with heat-soaked glazing and minimal framing to ensure optimum transparency and structural reliability
- Eye-catching timeless design with minimalist illuminated halo for an enduring look

## For the building owner/architect

### Key to a building's premium branding:

- Complements the occupants' corporate image externally or as part of employer branding
- to secure/retain prestige tenants
- to cement the building as a landmark

## High-tech German drive technology

- Super thin made-in-Germany drive with proven electromagnetic propulsion technology, the first and only worldwide for revolving doors
- Unique features thanks to the gearless, beltless design of the drive technology:
  - Minimal wear-and-tear parts
  - Minimal resistance when not powered
  - Recovers easily from stoppages

## For the building owner/operator/user

### Safer and easier to use more reliably:

- Less disruption to normal daily usage
- Lower unplanned maintenance costs
- Comfortable manual access even when switched off
- Resilient against misuse/accidents
- Stays tightly closed in the right position

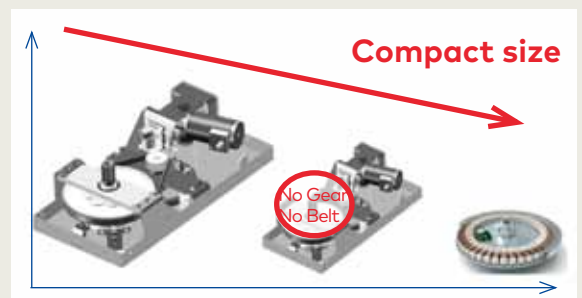


## For the building owner/architect

### Lasting value for the investment

- **High-tech image** to the building's premium branding

Advanced German drive technology using innovative magnetic levitation technology, the door panels are directly driven by contactless magnetic fields, instead of conventional belt and gear system, realizing an extremely compact low-wear automation system that delivers quiet motion millions of times over.



**Intelligent control system**

- Self-learning, plug-in-play controller
- Recovers easily from abnormal situations, such as pushing and obstruction
- Adjustable holding force against wind load
- Choice of Operating Modes by simply plugging in Function Module cards:
  - o M: Manual door with speed limitation
  - o P: Push-n-Go power-assist
  - o S: Servomatic power-assist
  - o A: Full Automatic
- Speed limiting is available in any mode

**For the building operator/user**

**Safer and easier to use more reliably:**

- Less disruption to normal daily usage
- Lower unplanned maintenance costs
- Stays tightly closed in the right position
- Future upgradeability to suit/manage user behavior

**For the building operator/contractor**

**Easier to install and maintain:**

- Faster, easier, mistake-proof commissioning
- Faster, easier troubleshooting/maintenance

**Structural design breakthrough**

- Full-glass revolving door with top-mounted drive
- No floor pit and water drainage preparation needed as with conventional underfloor drives
- Door can be mounted on finished floors

**For the building owner/architect**

**Freedom in look/design:**

- Original design intention can be left untouched:
  - o Clean simple floor designs without floor covers
  - o No need to think about floor thickness/drainage
- Can be retrofitted without affecting original structure

**For the building operator/contractor**

**Easier to install and maintain:**

- No need to keep the floor dry, e.g. during cleaning
- No underfloor maintenance
- No disruption to usage during maintenance work
- No need to think about pit size and position



**Intelligent control for safety and user-friendliness**

The self-learning controller adapts to the door weight and environmental conditions. The drive system can also be stopped manually should there be any abnormal conditions, and can recover to normal operation on its own intelligently.

**Manual free swing option anytime**

With conventional drives, when powered off it takes a lot of manual force to overcome the gears and turn the door. The gearless FLEX Direct Drive allows the door to be turned easily, providing user-friendly accessibility even under circumstances such as power outage or maintenance work.



**No-floor-pit structural design**

The FLEX Direct Drive enables a top-mounted drive design, eliminating the need for a floor pit, which would have required complicated design and implementation works, such as drainage works and floor thickness study, to ensure the underfloor drive is correctly mounted.



No underfloor drive - freedom in floor design, and from underfloor maintenance

# KTV ATRIUM FLEX 3-wing

Heat-soaked tempered glass is a standard for ATRIUM FLEX. Heat soaking is an additional process that exposes nickel sulphide inclusions and thus minimizes spontaneous breakage in tempered glass.

Low-iron glass as available option.

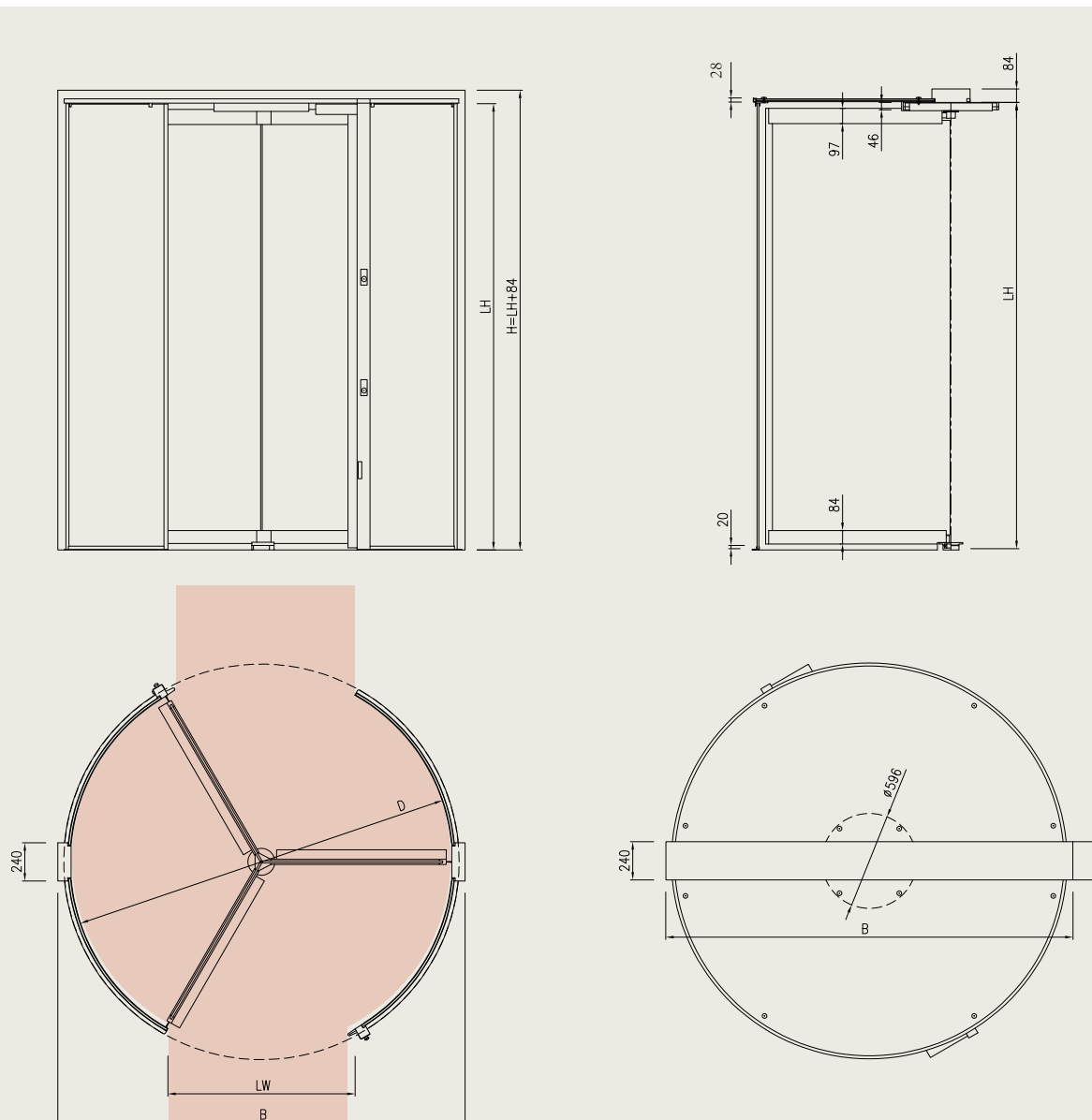
Standard safety equipment for Full Automatic (A):

- Active infrared pinch-zone sensors are standard.
- High reliability contact-chain safety bumpers for the leading mullions and door wings.

## 3-Wing design

### Standard dimensions (mm)

Internal diameter ID	2000	2200	2400	2600	2800	3000
External diameter B	2158	2358	2558	2758	2958	3158
Clear passage width LW	927	1027	1127	1227	1327	1427



# KTV ATRIUM FLEX 4-wing

Heat-soaked tempered glass is a standard for ATRIUM FLEX. Heat soaking is an additional process that exposes nickel sulphide inclusions and thus minimizes spontaneous breakage in tempered glass.

Low-iron glass as available option.

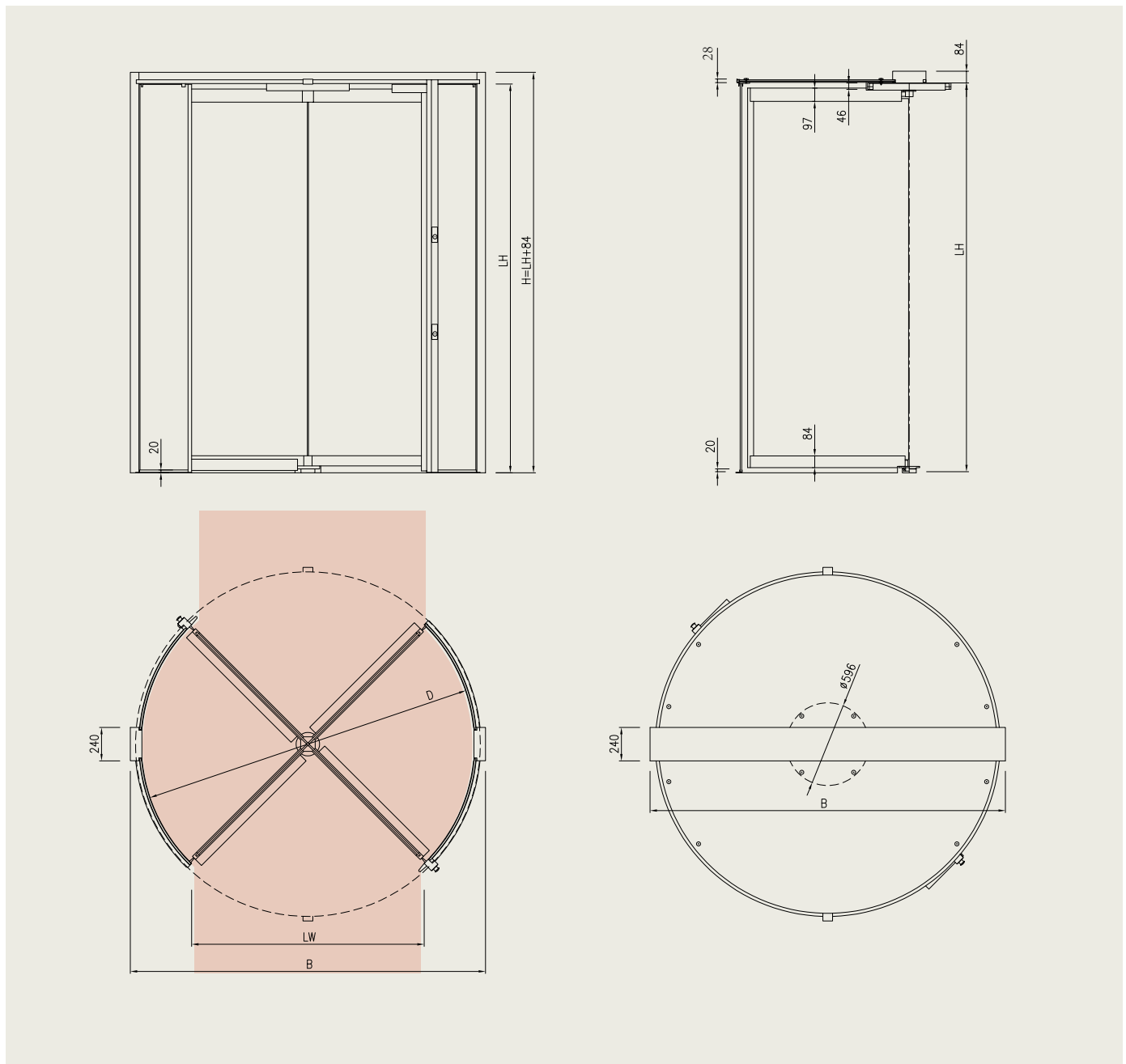
Standard safety equipment for Full Automatic (A):

- Active infrared pinch-zone sensors are standard.
- High reliability contact-chain safety bumpers for the leading mullions and door wings.

## 4-Wing design

### Standard dimensions (mm)

Internal diameter ID	2000	2200	2400	2600	2800	3000
External diameter B	2158	2358	2558	2758	2958	3158
Clear passage width LW	1356	1497	1639	1780	1922	2063





**dormakaba Australia**

Head Office  
12-13 Dansu Court  
Hallam VIC 3803  
T 1800 675 411  
[info.au@dormakaba.com](mailto:info.au@dormakaba.com)  
[www.dormakaba.com.au](http://www.dormakaba.com.au)

**dormakaba New Zealand**

Head Office  
Building P,  
61-69 Patiki Road  
Avondale, Auckland 1026  
T: 0800 436 762  
[info.nz@dormakaba.com](mailto:info.nz@dormakaba.com)  
[www.dormakaba.co.nz](http://www.dormakaba.co.nz)

