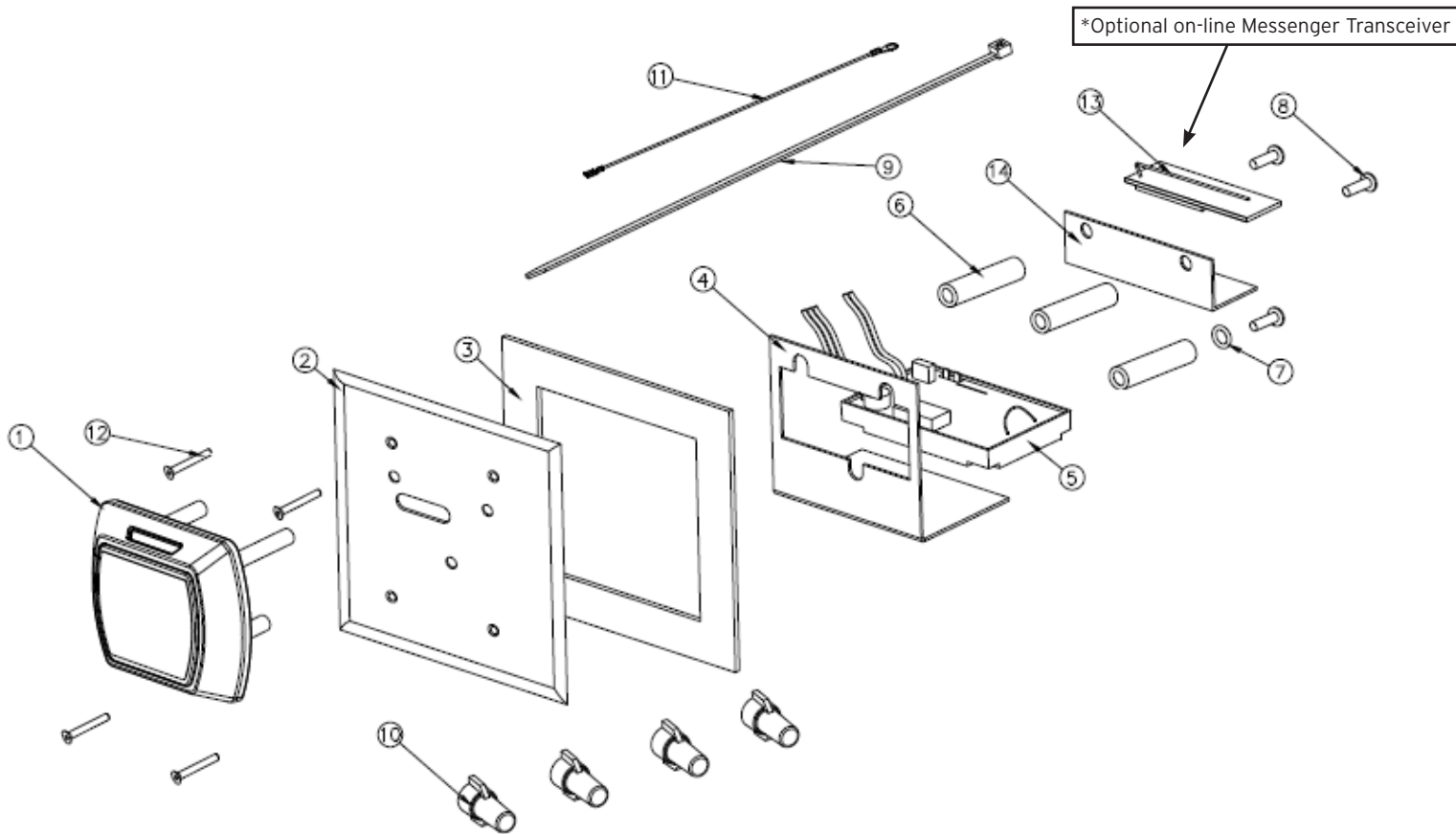


Quantum II™ RFID RCU/ECU Installation Instructions

Please check to make sure all parts are accounted for before beginning installation.
Do not substitute any of the parts. The use of substitute parts will result in poor performance of the lock.



Part Number Table

Item	Part #	Description	Qty
1	A21710-COLOR	Quantum II RFID Reader Assembly	1
2	A32760-COLOR	Quantum II RCU Faceplate	1
3	94640	RCU Gasket	1
4	A22770	Mounting Bracket	1
5	A28732-RMM	PCB Assembly / RFID MT2	1
6	A37010	Sleeve, Quantum II RCU	3
7	A37000	Washer, Flat, #8 Screw	1
8	73400-014	Screw, #8-32 /1/2" PH, Philips	3
9	A27490	Tie Wrap, 14", RCU	1
10	55250	Nut, Wire	4
11	A28360	Wire Harness RCU PCB	1
12	50170-COLOR	Screw, #6-32 x 1" FH	4
13	Messenger Transceiver	** See Messenger Transceiver Table	1
14	A33020	Mounting Bracket, MSNGR	

Messenger Transceiver Table

Transceiver Part #	Description
A28780-XMZ	MSNGR, 2.4 GHz, North America (158mw) Zigbee
A28780-EAZ	MSNGR, 2.4 GHz, Europe/Asia (10mw) Zigbee
A28780-IMZ	MSNGR, 2.4 GHz, Europe/Asia (100mw max) Zigbee
A28990-B	Inncom RF Bi - Directional

All information contained herein, including but not limited to product pricing and other intellectual property, is confidential and intended for the sole use of the addressee(s) so named. Any misuse of this confidential information contained herein may result in legal action by Computerized Security Systems dba SAFLOK and its parent company.

Product Description

The Quantum II™ RFID remote control unit (RCU) controls access to electric strikes, electric exit devices, electromagnetic locks, and parking gates. When wired into elevator car controls by a certified technician, the unit also performs as an elevator control unit (ECU). Communication between the keycard and the reader is conducted via RF waves. Positioning the keycard over the reader will momentarily switch power to the electrified locking device.

Pre-installation Requirement

Be sure to investigate the switching current and voltages required by the electric access control hardware. The Quantum II RFID RCU is equipped with a relay that can be configured either “normally open” or “normally closed,” to function properly with the application. The relay is rated for five amps at 250 VAC or five amps at 30 VDC. Review your local fire and electrical codes before installing this product.

Messenger™ Option

For RCU units equipped with the Messenger transceiver module, the faceplate and electrical enclosure must be made from plastic to ensure optimum transmissions of the RF access communications to a nearby Messenger hub. (For Messenger applications, Quantum II RFID RCU faceplates are available in white, ivory, or dark brown plastic.)

If the RCU location has not been previously confirmed for connectivity to the Messenger network, consult the *Messenger Site Survey Instructions*. In some cases an additional hub may be required to ensure connectivity in new locations.

Installing the Quantum II RFID RCU

Note: The Quantum II RFID RCU is designed for installation with a Double-Gang deep. Please check your local building codes before purchasing an electrical box that is appropriate for your installation's location and climate (interior or exterior). Saflok stocks both flush (Saflok PN 94800) and sealed surface mount (Saflok PN 94810-1) electrical boxes appropriate for this application.

1. Position the electrical box in an accessible location. The box should be in close proximity to the access opening as the user will have only five seconds to open the door before the unit relocks.
2. Fasten the electrical box in position using the appropriate fasteners (not included). Be sure that the fastener heads will not impede the space required for the electronics and connections within the electrical box.
3. Run the appropriate wires to the electrical box.
4. Make the necessary wire connections using the wire nuts (provided). Refer to the schematic diagram on the following page.
5. Secure the faceplate to the electrical box with the four #6-32 x 1" screws (provided). Tighten the screws using the 5/64" Allen wrench (provided).
6. For exterior applications, seal the unit with silicone RTV (not provided) or appropriate gasket (p/n 54640).
7. Program and test the unit as discussed in the Quantum lock user instructions.

Schematic Diagram

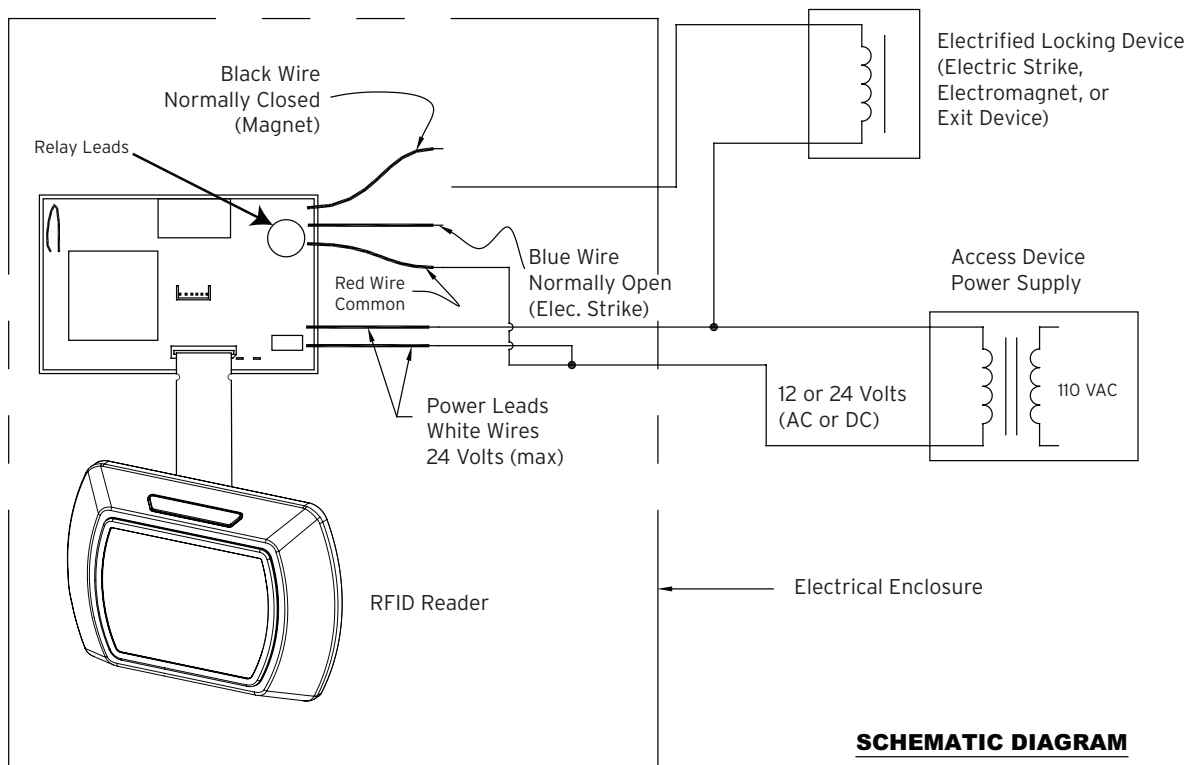
Power Leads

The Quantum II RFID RCU requires 12-24 volts AC or DC input. Two wire leads (white insulation) are provided for supplying power to the reader. Ensure that voltage going to the reader does not exceed 24 volts. Any 110 VAC step down power supply necessary needs to be in a separate enclosure and rated properly. The RCU requires .125 Amps to operate. Typically the power supply from the locking device (12 to 24 volts) is used to power the RCU

Relay Leads

Three wire leads (red, black, and blue) are provided for switching power to the electrified locking device attached to the gate, door, doorframe, etc.

- The red lead is common. It is always connected.
- The black lead is normally closed (NC). It is used for electric lock devices like electromagnets.
- The blue lead is normally open (NO). It is used for electric lock devices like electric strikes.



FCC Warning: The users of this equipment shall not change or modify the equipment in any way, or they could void their authority to operate the equipment under FCC rules.

Questions? Call Customer Service at 800.999.6213 and select option 3.



For worldwide office locations and contact information, visit us at www.kabahospitality.com

USA · Canada

Phone: **877.272.3565**

Europe · Middle East · Africa

Phone: **33.1.30.13.04.04**

Asia

Phone: **86.10.5861.3561**

Manufactured under one or more of the following patents:

U.S.: 4,177,657; 4,411,144; 4,534,194; 4,890,870; 5,198,643; 5,477,041; 5,820,177; 5,986,564; 7,051,561; D494,841; D501,131; D512,899; D519,021; D531,629; D533,009; D533,047; D533,762; D533,763; D535,629 CANADA: 1,252,854; 1,298,902
U.K. 2,010,375
Other U.S. and foreign patents pending

SAFLOK reserves the right to modify the characteristics and features of all products in this publication.

© 2011 SAFLOK, all rights reserved.