



KABA[®]
MAS

Unicon[™] CL Series Multi-Use Cabinet Lock

Model CL10

Introduction

The Kaba Mas history is rich in the development of innovative products, designed for a wide variety of container applications. From sophisticated locks safeguarding classified information and the cash supply stored in automated teller machines (ATMs) to complete systems serving goods-in-transit, Kaba Mas products are world renowned for their ability to greatly reduce incidence of theft.

This tradition continues with the Unicon™ Series CL10 cabinet lock. Designed for personal storage applications, the CL10 is ideal for locations that require access by a single user for short term or long term usage. An administrative support structure is also provided in the way of specific users who can program the lock and access the lock if required.

CL10 at a Glance

Short or Long Term Personal Storage for A Single Lock User

4-7 digit programmable access code for short term or long term personal storage.

Administrative Support & Access Control

Master User serves as lock administrator and can add up to 124 Manager Users to the lock. Manager Users are assigned a 3-digit user ID and can select a unique 5-digit PIN.

Touch Key Number Pad

Five button keypad accepts access combinations and user commands.

Power

Two CR-2 lithium 3v batteries in main housing.

Installation

Four common mounting orientations, for wood and sheet metal applications.

Bolt Designs

Manual return dead bolt or cam latch, or automatic spring loaded latch bolt.

Available PC Software

Unicon CL Series Software available for lock administration, programming and data retrieval.



Audit Trail

An event is recorded with date and time stamp whenever a function is performed at the lock. Both opening and closing events are recorded in addition to other activity. User ID is also recorded if applicable. (Requires Unicon CL Series Software to retrieve and report an audit.)

Wrong Try Lock-Out

After three consecutive failed combination attempts, lock is disabled for three minutes. Additional consecutive failed attempts will result in another three minute penalty after each failed attempt.

Key Override (optional)

Key override sensor kit allows cabinet key to override lock and allow entry. This will be recorded in the lock audit.

Customer Service

The Kaba Mas technical support staff is available 24 hours a day, seven days a week to answer any technical questions you may have. Please call us at 1-800-950-4744.



CL10 Features / Specifications

- Power Source:** (2) High quality CR-2 Lithium 3v batteries. (Not supplied.)
35,000 cycles at ambient temperature.
- Keypad:** One universal keypad allows for mounting lock in different orientations. Keypad has 5 buttons and three LEDs - lock open, lock closed and battery low indicator.
- Bolt/Cam Styles:** Manual turn dead bolt, manual cam latch, or spring loaded latch bolt with variations in bolt and cam positioning allowed.
- Users** Allowance for one temporary Lock User (short term usage or long term usage) and a maximum of 125 administrative users (one Master User and 124 Manager Users).
- Manage/Control:** The Master User administrates the lock and can add Manager Users. The Master User and Manager Users can access the lock if required.
- Audit Trail:** 400 events (including opening and closing) stored in the lock with time and date stamp, can be downloaded to PC via a Dallas iButton Reporting (Red) Key Fob. (Requires Unicon CL Series Software.)
- Uploadable Programming:** Information can be loaded at the PC and transferred to the lock via a Dallas iButton Programming (Teal) Key Fob. (Requires Unicon CL Series Software.)
- Mechanical Construction:**
 - Lock front** - Black, injection-mold polycarbonate, 1.25" (31.71 mm) x 5.63" (143 mm) x .85" (21.6 mm).
 - Turn knob** - Black powder coat zinc diecast, clutch mechanism prevents opening of lock when over-torqued.
 - Chamber** - Metal electro-mechanical assembly that includes motor and locking mechanisms - .89" (22.6mm) x 3.88" (98.56mm) x .94" (23.88mm).

2

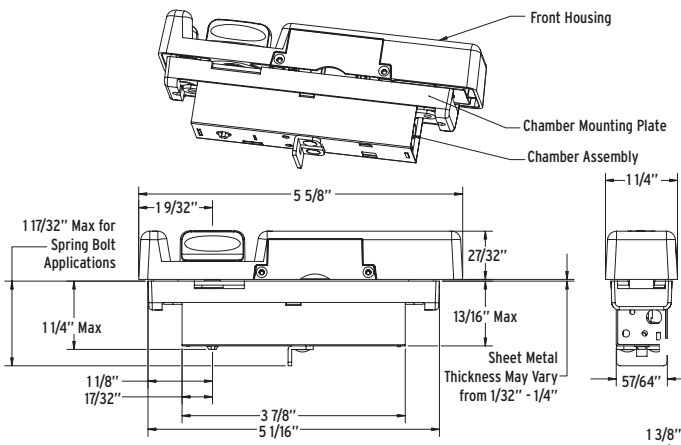


FIGURE 1 - METAL APPLICATION

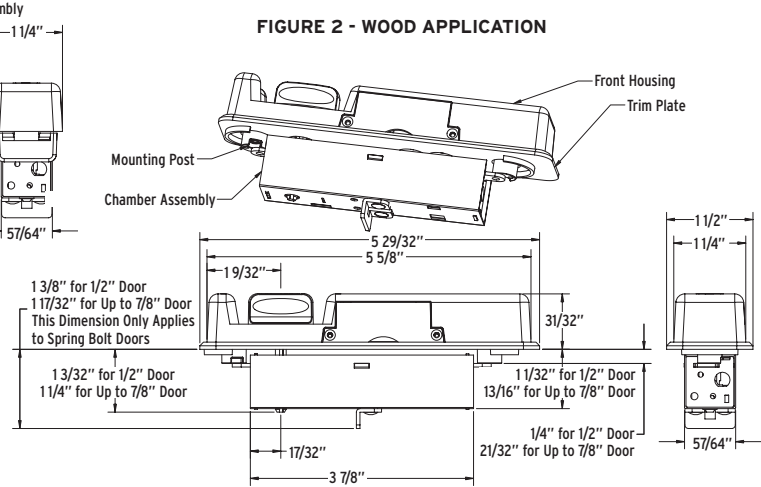


FIGURE 2 - WOOD APPLICATION

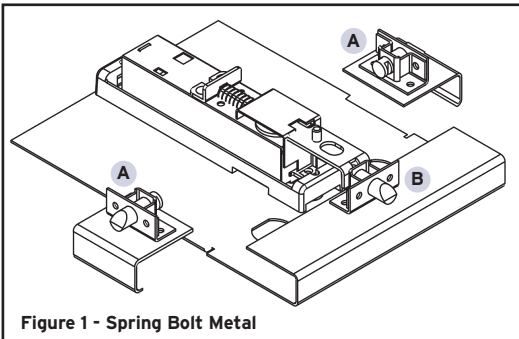


Figure 1 - Spring Bolt Metal

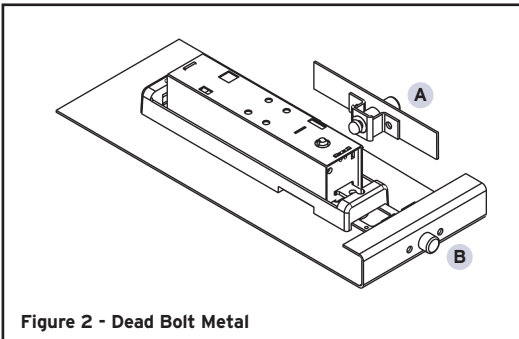


Figure 2 - Dead Bolt Metal

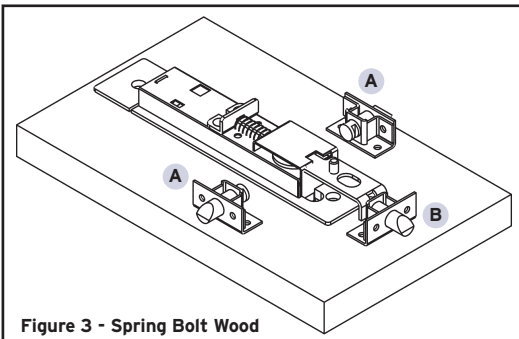


Figure 3 - Spring Bolt Wood

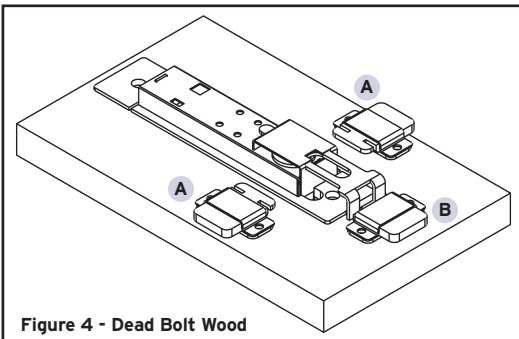


Figure 4 - Dead Bolt Wood

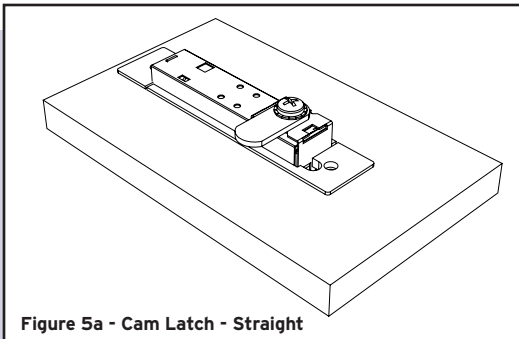


Figure 5a - Cam Latch - Straight

Options

Bolt/Cam Options

- Manual Dead Bolt - End Throw
- Manual Dead Bolt - Cross Throw
- Manual Dead Bolt - End Throw and Cross Throw Parts
- Spring Loaded Latch Bolt - End Throw
- Spring Loaded Latch Bolt - Cross Throw
- Cam Latch

Door Thickness/Material

- Metal:**
- 14-20 gauge sheet metal
 - 1/8" (3.18 mm) sheet metal
 - 3/16" (4.76 mm) sheet metal
 - 1/4" (6.35 mm) sheet metal

- Wood:** 1/2" (12.7 mm) to 7/8" (22.23 mm)

Control Shaft Options

- 1.75" (Standard Applications)
- 1.915" (Other/Cart Applications)

Consult factory for additional shaft lengths.

Figure 1: Spring loaded latch bolt, metal installation.
 Figure 2: Manual dead bolt, metal installation.
 Figure 3: Spring loaded latch bolt, wood installation.
 Figure 4: Manual dead bolt, wood installation.
 Figures 5a - 5d: Cam latch installations. (Wood shown. Metal also available.)

Refer to Figures 1 - 4 for possible spring and dead bolt positions. (A) Cross throw position, (B) End throw position.

Cam latch wood installation with Straight cam shown in 5a.
 Cam variations: Hook (5b), Offset (5c), Leg (5d).
 All four cam latches are included with the Cam Latch option.

Cam Latch can be positioned 180° from position shown.

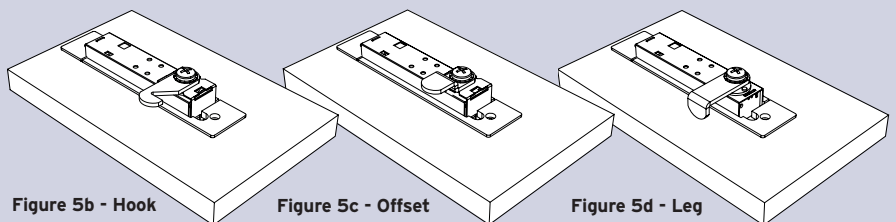


Figure 5b - Hook

Figure 5c - Offset

Figure 5d - Leg

Unicon™ CL Series Software

The Unicon CL Series Software is an integral component of the Unicon CL10 multi-use cabinet lock. While basic lock functions can be performed at the lock without software, efficient administration, maximum convenience and full audit capability can only be achieved once the software has been installed.

Programming

The Unicon CL Series Software allows you to load information at the PC, and via a Programming Key Fob, transfer that information directly to the lock. The following can be uploaded to the lock:

- Operating mode and Lock ID (Lock ID is important for audit purposes.)
- Date and time
- User Data (Add/delete users.)
- Lock access schedules (shifts)
- Reporting capabilities (Defines who has authority to retrieve data from the lock.)



Unicon CL Series Software Implementation Package includes: Install CD-ROM; 1 Reporting (Red) Key Fob (download data from lock); 1 Programming (Teal) Key Fob (upload data to lock); 1 USB Adapter; 1 Key Fob Reader/Data Cable.

Data Retrieval

In addition, the Unicon CL Series Software allows you to download (retrieve) the following information from the lock via a Reporting Key Fob and transfer it to the PC:

- User table - consists of all User IDs that are current in the lock
- Audit Trail - this feature records lock transactions in sequential order. Examples of audit events are:
 - Lock opened
 - Lock closed
 - Users added/deleted
 - PIN activated/changed
 - Wrong try lockout

Reporting

Reporting features include sorting, data selection, and export to various formats (Crystal Reports, Adobe® PDF, Microsoft® Excel, Microsoft® Word, etc.)

System Requirements

PC Hardware minimum requirements for Microsoft® SQL Server Express Edition*:

- IBM® compatible PC capable of running Windows®, with available USB communication port
- 600 MHz Pentium III-compatible or faster processor, 1 GHz or faster processor recommended
- 512 MB of RAM or more recommended
- Hard-disk drive with 830 MB available disk free space recommended
- CD-ROM or DVD-ROM drive
- Windows® XP (Service Pack 2 or later), Windows® 2000 Server (Service Pack 4 or later), Windows® Server 2003 Standard, Enterprise or DataCenter editions (Service Pack 1 or later), Windows® Small Business Server 2003 (Service Pack 1 or later)

*The Unicon database can also be installed on a Microsoft® SQL Server 2005 database engine.

Unicon CL20 Support

The Unicon CL Series software can also be used for administration of Unicon CL20 locks.

Applications

- Hotel Room Cabinets/Drawers
- Gym Lockers
- Employee Lockers
- Patient Cabinets/Drawers (hospitals, nursing homes, etc.)
- Bicycle Lockers
- Casino Lockers
- Mini Self Storage Lockers
- Bank Lock Boxes



Ordering

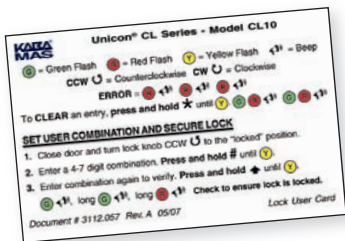
Unicon Model CL10 ordering example

Model CL10 multi-use cabinet lock with housing, power source, keypad style, door thickness, bolt, control shaft, country code, install, and packaging.

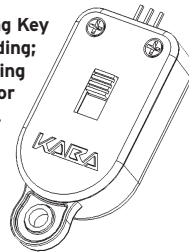
EXAMPLE	C	L	1	O	S	M	K	1	D	E	M	A	E	1	A
	Model				Power Source	Keypad		Door Thickness	Bolt		Control Shaft Length	Country Code	Install	Packaging	

Accessories

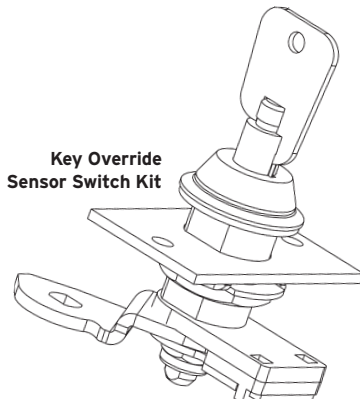
- Unicon CL Series Software Implementation Package (See Software Section for Details)
- Reporting Key Fob (Red) for Downloading Data from Lock
- Programming Key Fob (Teal) for Uploading Data to Lock
- Key Override Sensor Switch Kit
- Lock Covers
- Lock User Instruction Cards



Red Reporting Key Fob for downloading; Teal Programming Key Fob for uploading.



Key Override Sensor Switch Kit



For a complete list of options and accessories, refer to the Kaba Mas List Price Book.



Kaba Mas, part of the world-wide Kaba group, is the world's leading manufacturer and supplier of high-security electronic locking solutions. Its complete line of self-powered, battery and mechanical locks meets virtually every container lock requirement.

Kaba Mas is dedicated to satisfying end-user needs for security, control and accountability.

Kaba Mas Corporation
749 W. Short St.
Lexington, KY 40508
phone 859-253-4744
toll-free 877-KabaMas (522-2627)
fax 859-255-2655

web www.kaba-mas.com

CL10.R807.1500