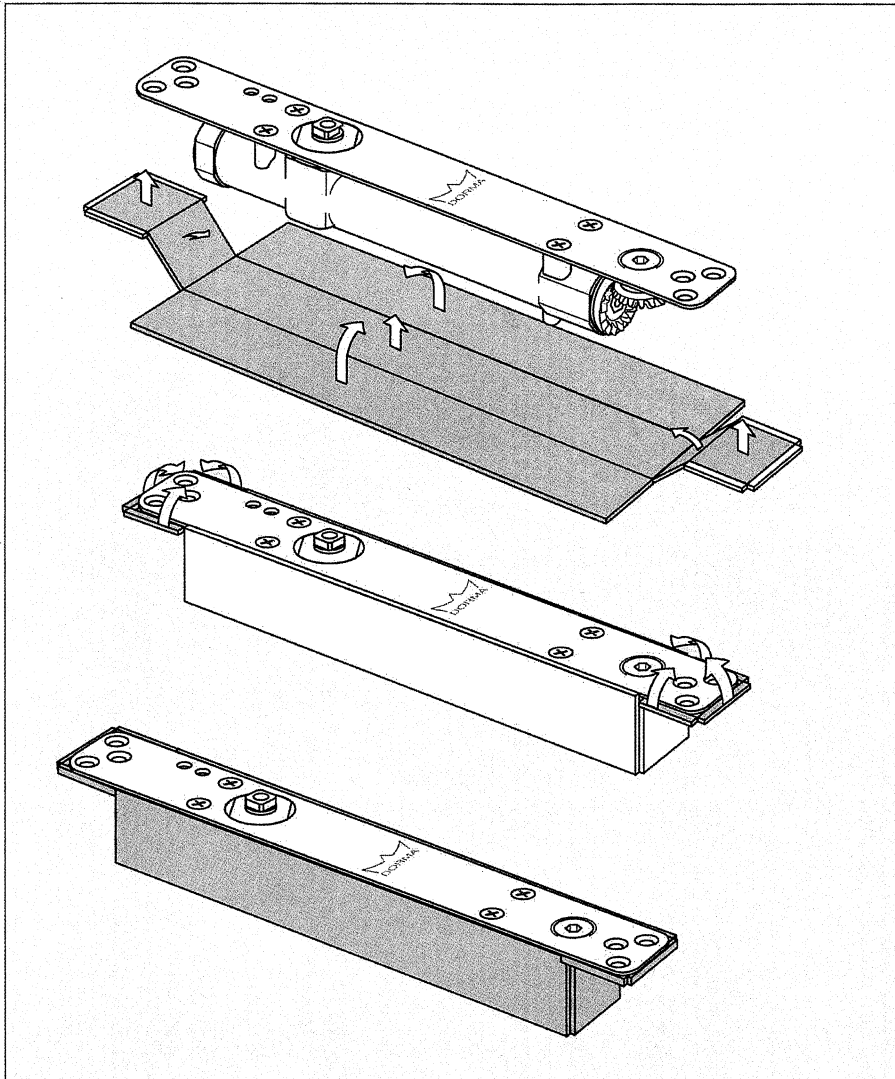



WN 054306  
05/01

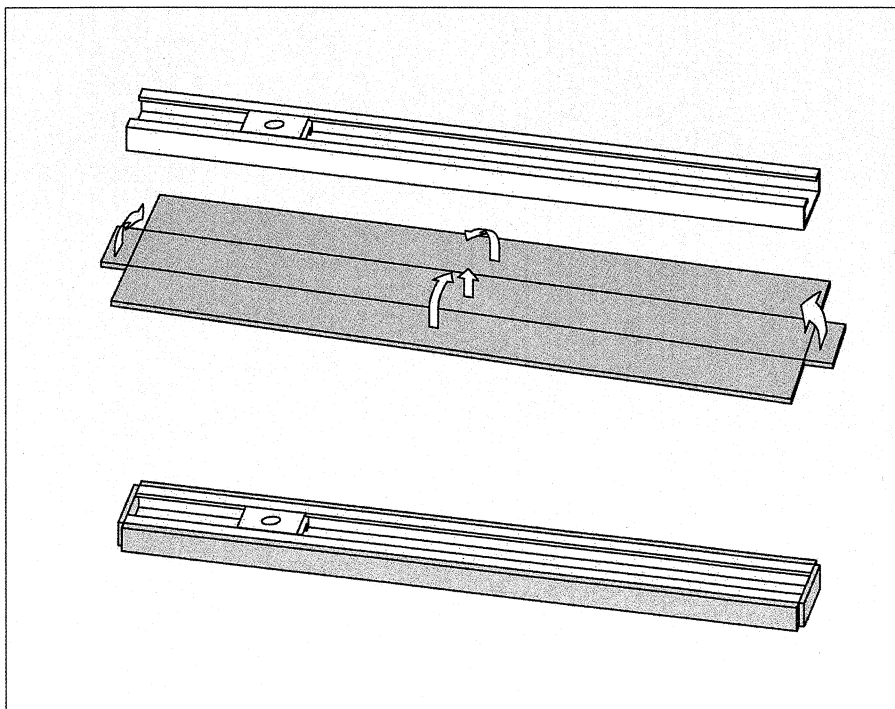
## Fitting Instructions


 Failure to fit this intumescent gasket invalidates the results obtained in fire resistance tests of timber doorsets including the ITS 96.

This closer is only suitable for half hour and one hour fire-rated timber doorsets when fitted with a DORMA intumescent gasket set, according to these instructions. Please ensure correct intumescent kit is fitted (FD30 or FD60).

The length and width of mortise for the body must be increased by 2 mm to accommodate the gasket.

Wrap the intumescent gasket around the closer and insert carefully into the prepared mortise.



 For Fire Doors ensure a mechanical hold open device is not fitted, only an electromagnetic hold open (G96 EMF) is permitted on fire doors

The mortise for the slide channel must be enlarged by 2 mm for FD30 and 4mm for FD60 in both length and width to accommodate the gasket.

Wrap the intumescent gasket around the slide channel and insert carefully into the prepared mortise.

Subject to change without notice