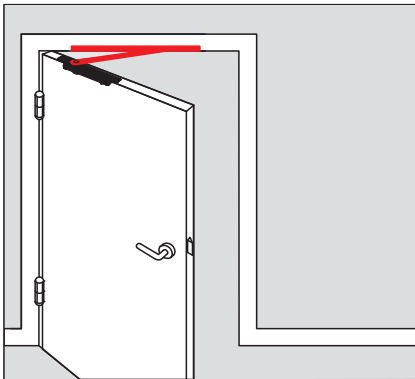


WN 058219 45532
04/12



G 96 N20
DIN L 52 00 37 01
DIN R 52 00 38 01

ITS 96
EN 2-4 52 40 01 50
EN 3-6 52 25 01 50

ITS 96 FL
EN 3-6 52 63 01 50

A

B

ITS 96
EN 2-4 52 41 01 50
EN 3-6 52 26 01 50

ITS 96 FL
EN 3-6 52 64 01 50

C

D

ITS 96
EN 2-4 52 42 01 50
EN 3-6 52 27 01 50

ITS 96 FL
EN 3-6 52 65 01 50

E

F

ITS 96 FL

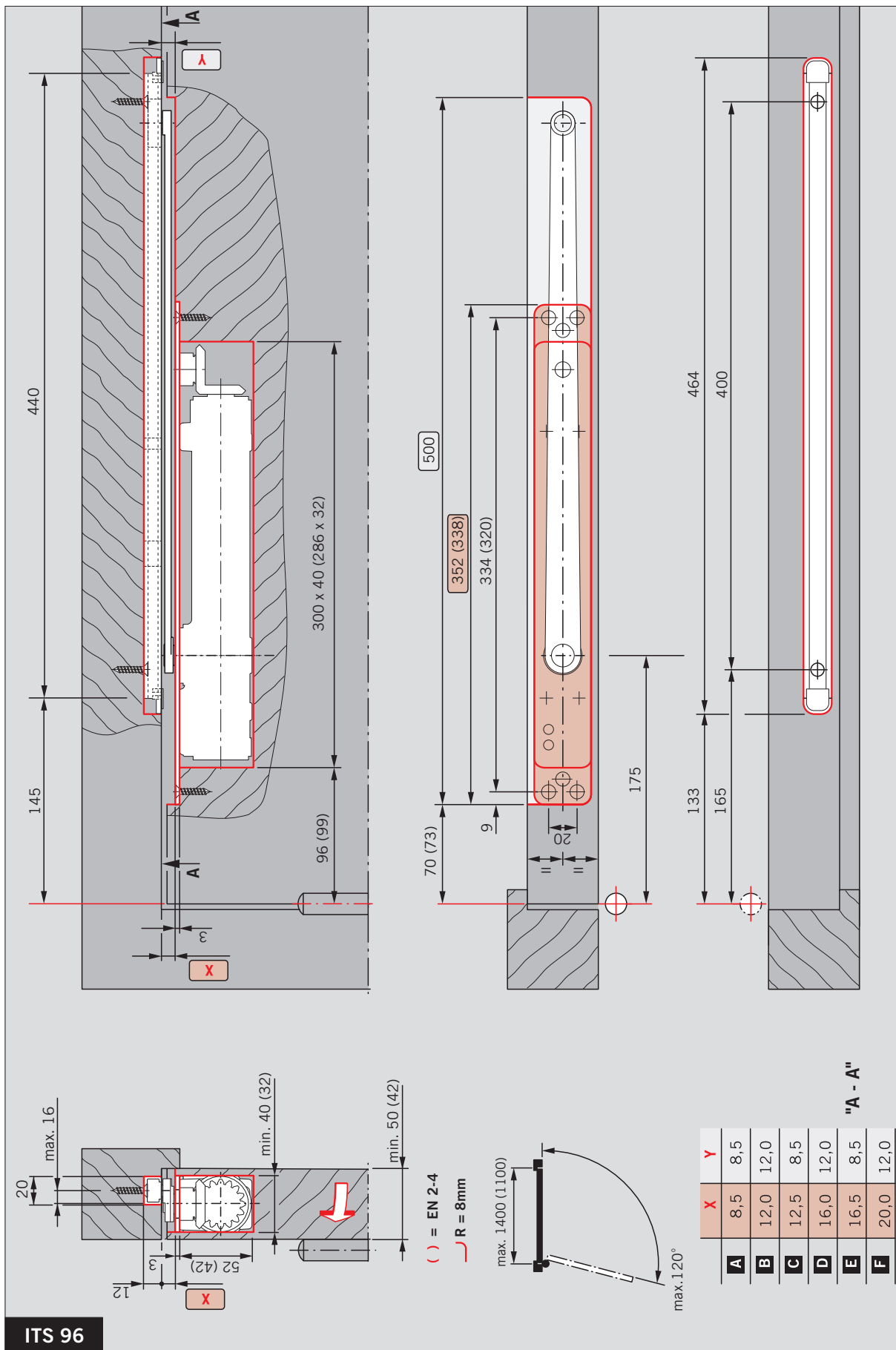
CE	DORMA GmbH + Co. KG		12	
	Postfach 4009 58 247 Ennepetal			
0432-CPD-0037	EN 1154:1996+A1:2002	3 8	3 8	1 1 4
	EN 1155:1997+A1:2002	3 8	3 8	1 1 4

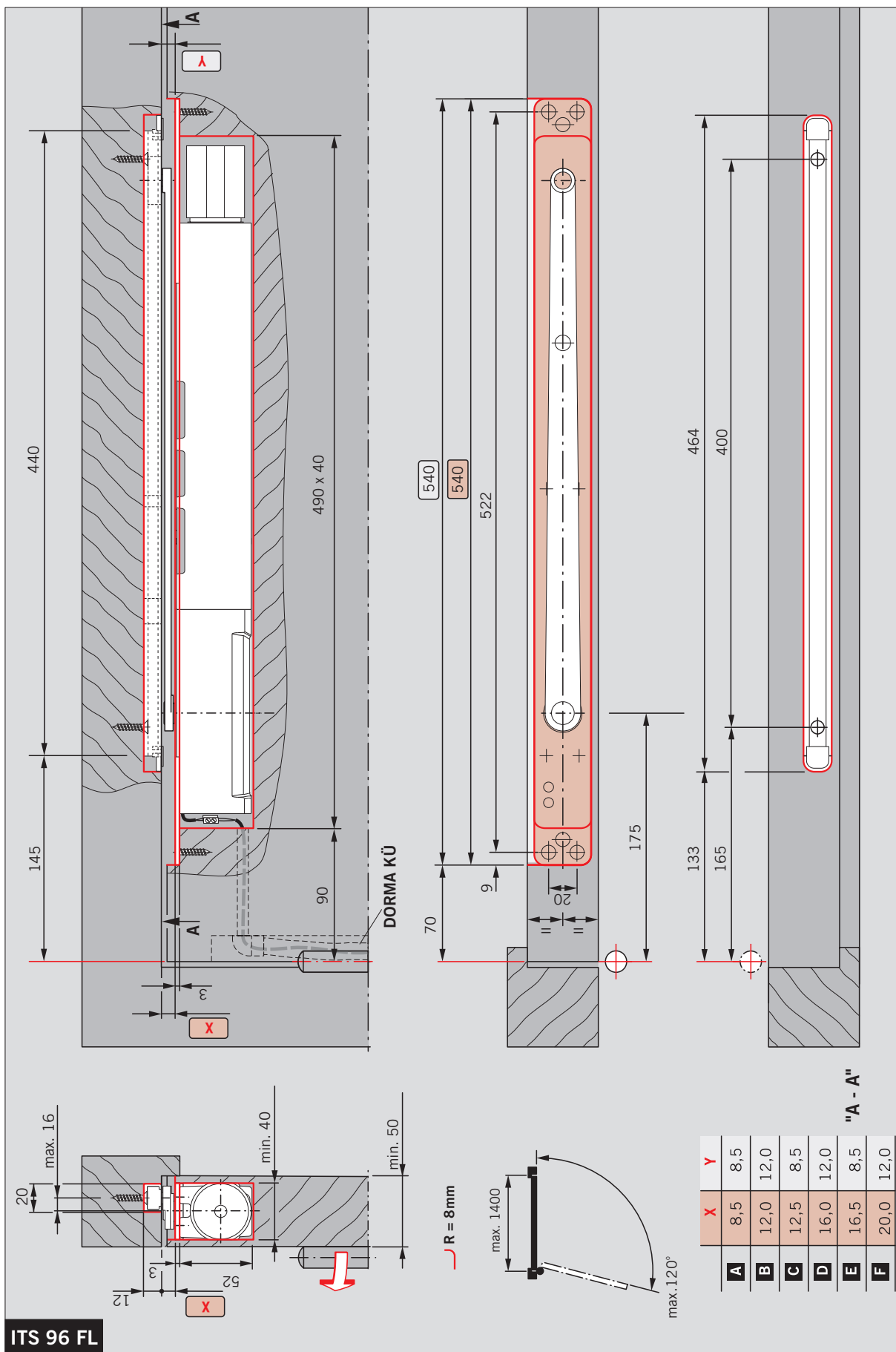
Dangerous substances: None

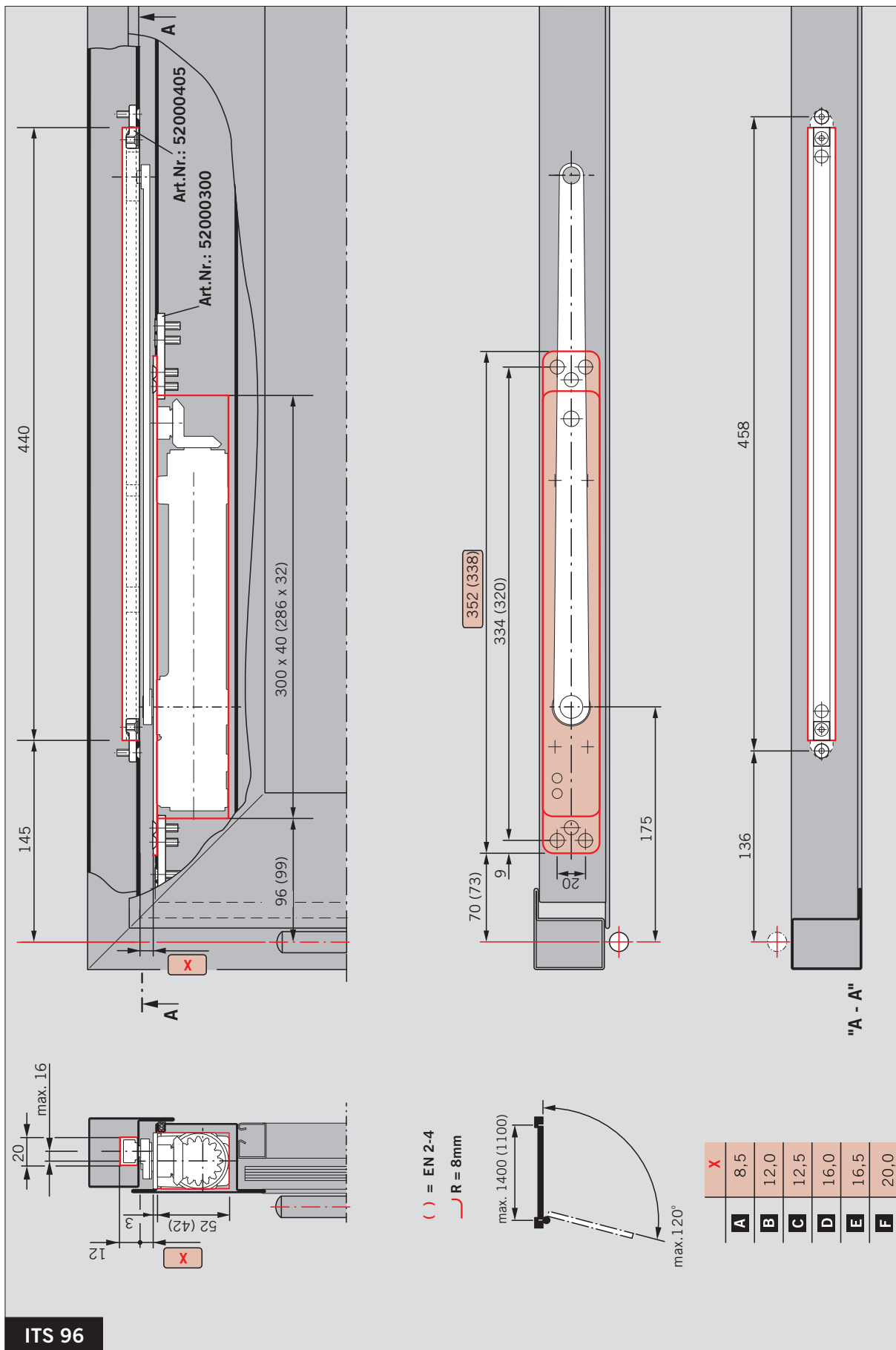
ITS 96

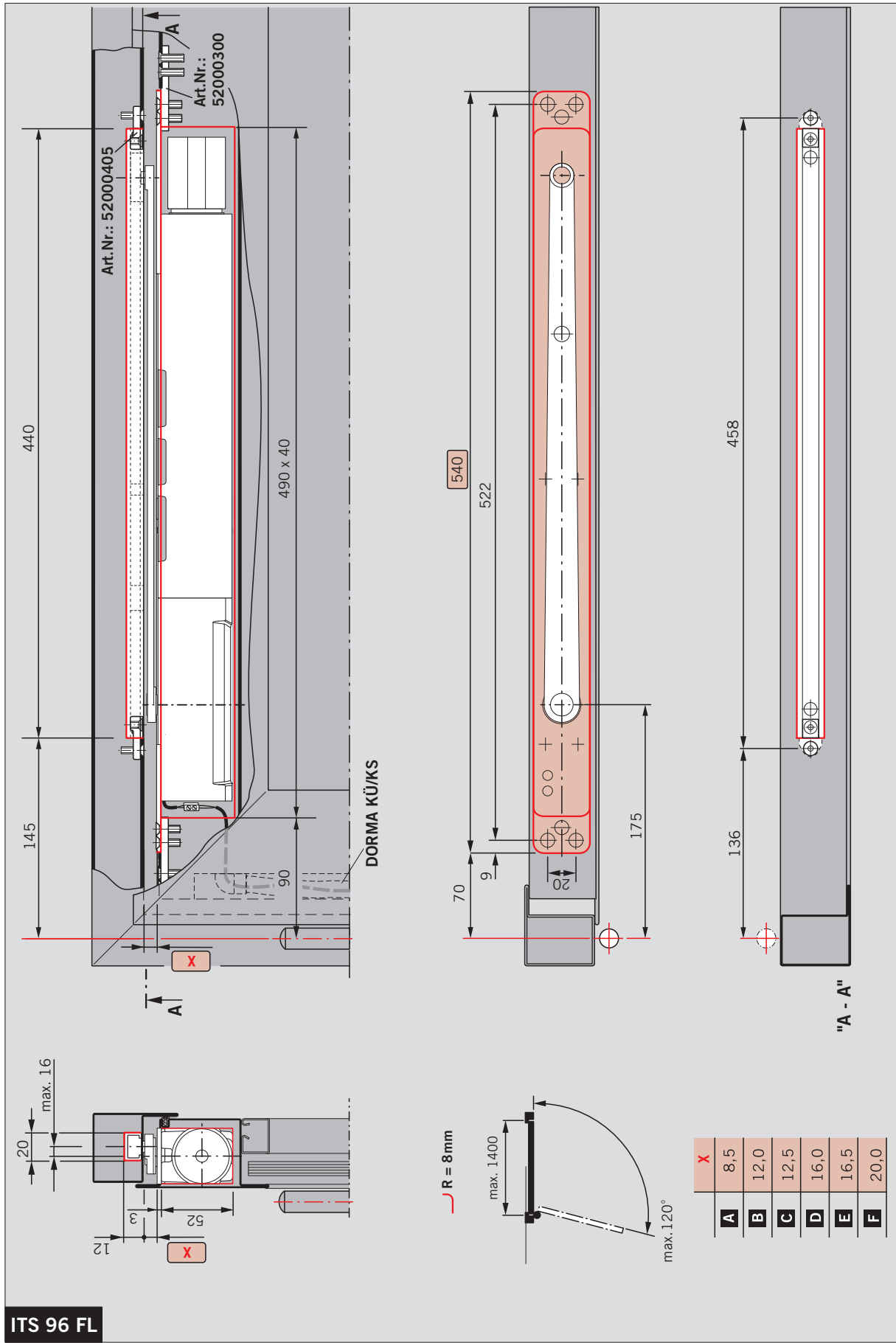
CE	DORMA GmbH + Co. KG		04	
	Postfach 4009 58 247 Ennepetal			
0432-BPR-0009	EN 1154:1996+A1:2002	3 8	2-4	1 1 4
		3 8	3-6	1 1 4

Dangerous substances: None

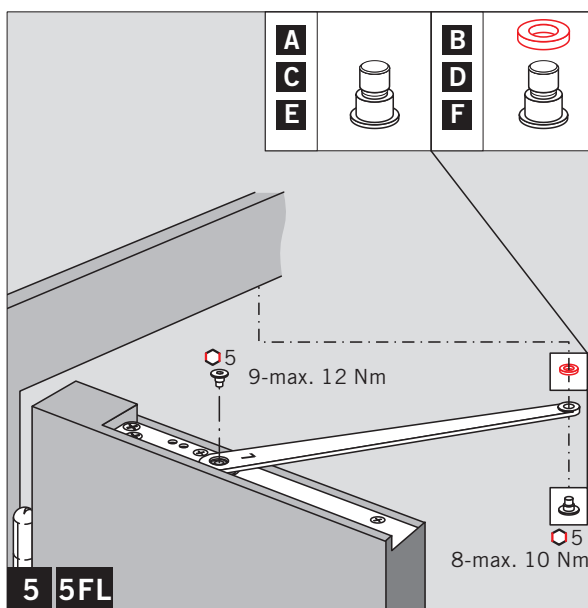
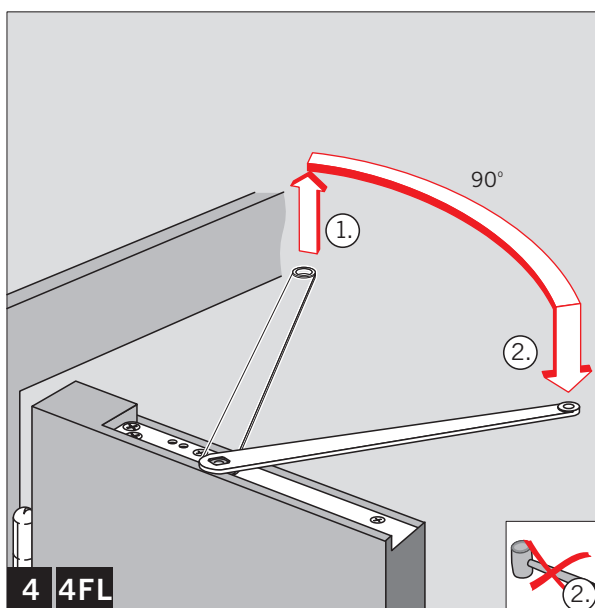
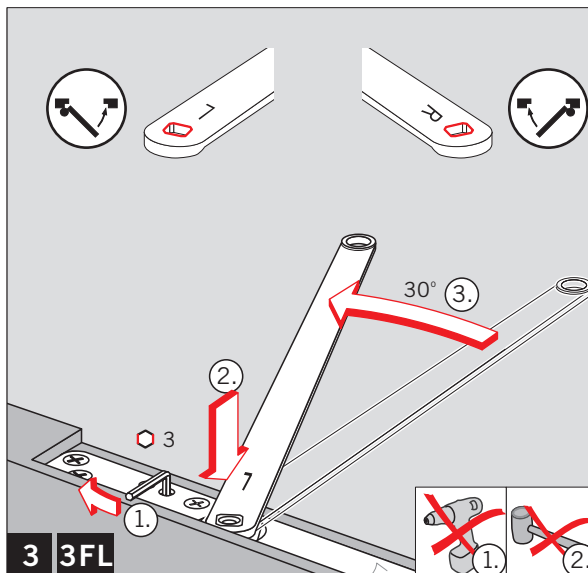
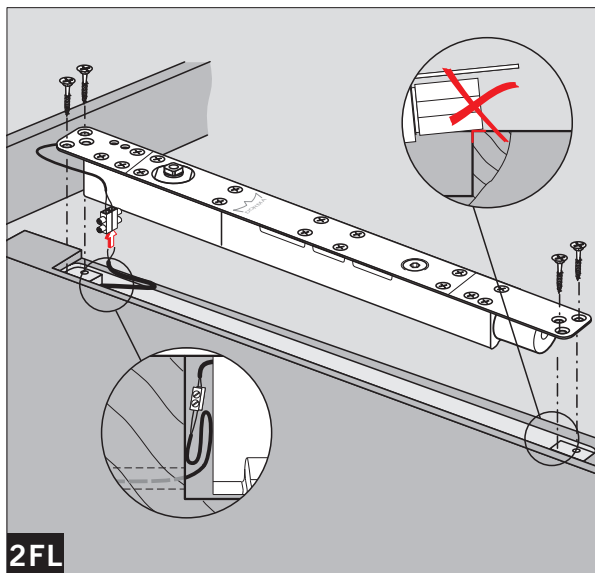
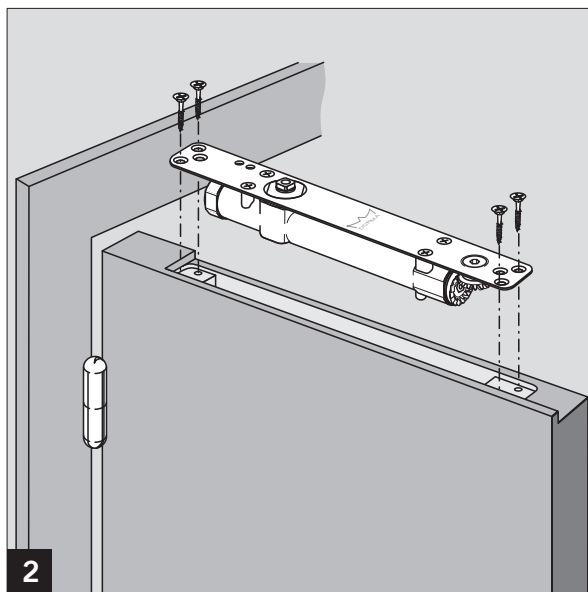
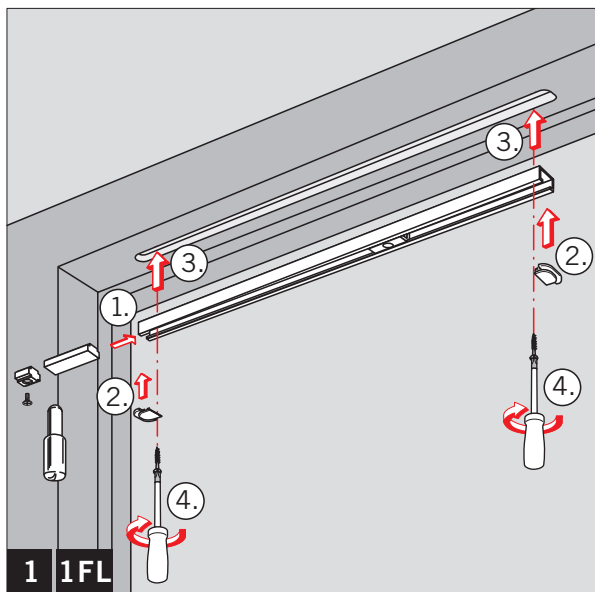




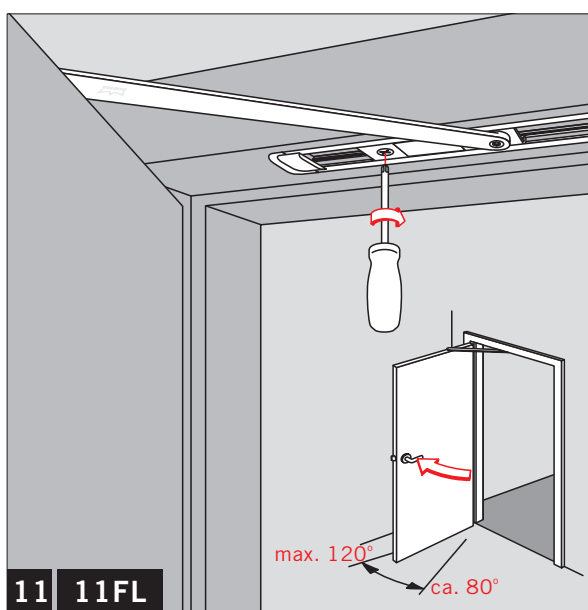
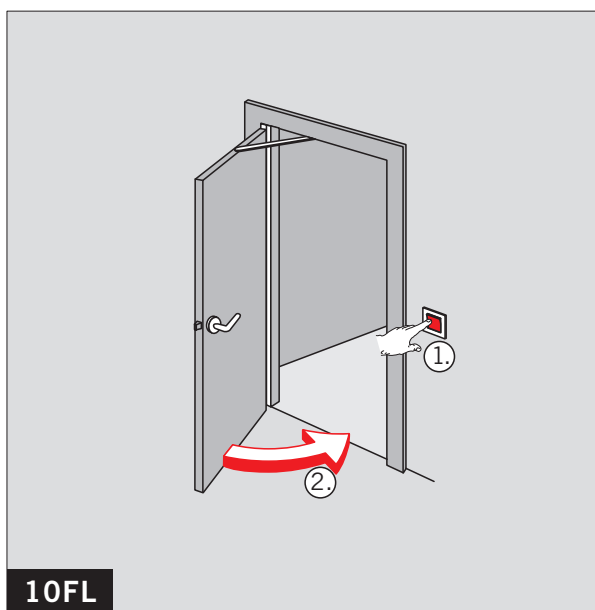
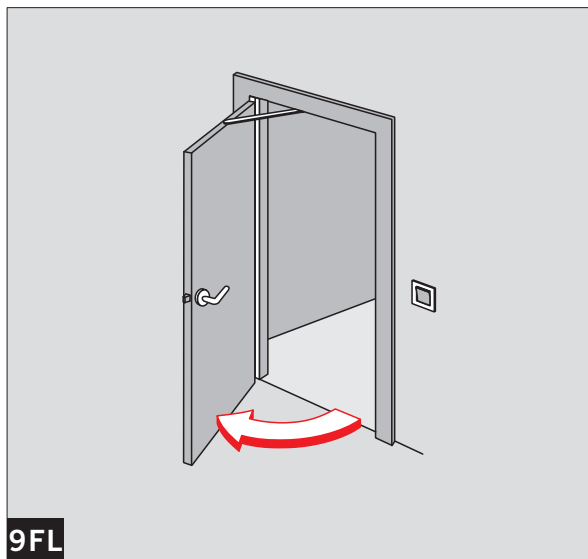
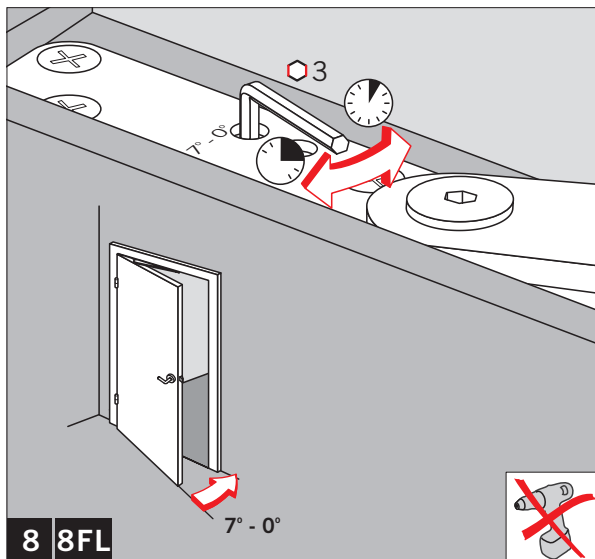
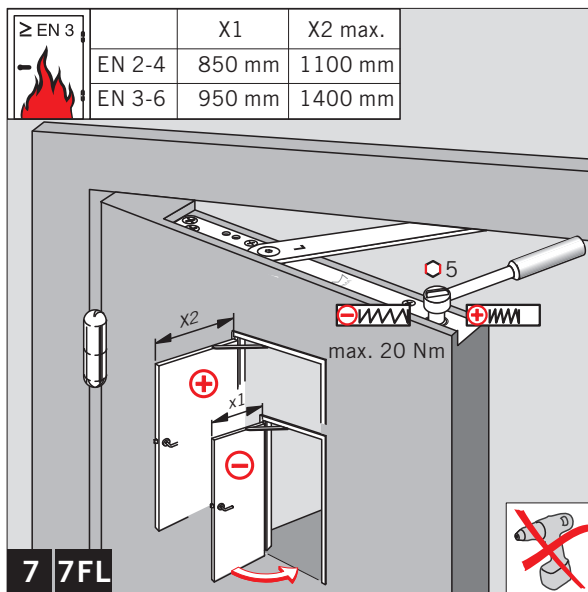
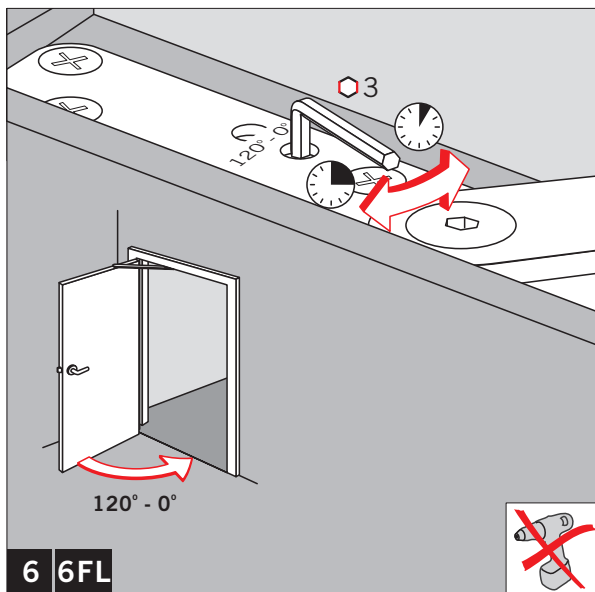




X	8,5
A	12,0
B	12,5
C	16,0
D	16,5
E	20,0



A		B	
C		D	
E		F	



DORMA

ITS 96/ITS 96 FL
+ G 96 N 20



Änderungen vorbehalten
Subject to change without notice